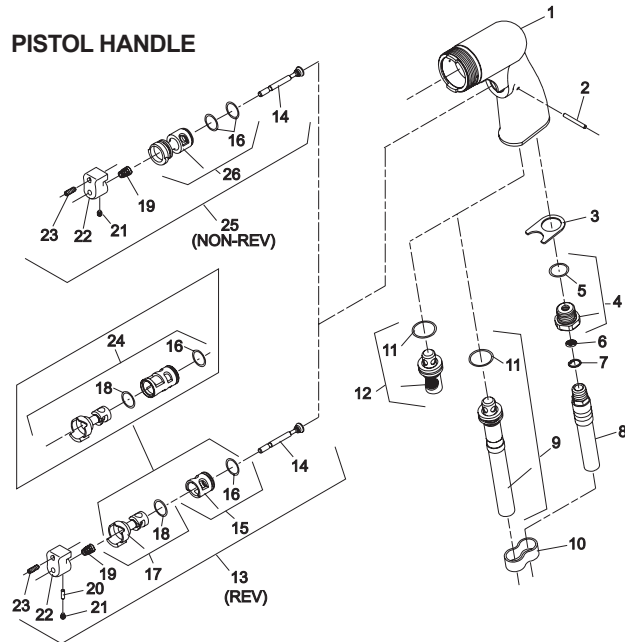


**PARTS LIST FOR
NO. 2 1/2 SERIES MULTI-ASSEMBLY TOOLS
AIR SCREWDRIVERS, NUTRUNNERS, AND DRILLS
SERIAL "C"**

Form A841C
Date 2005May24/A
Page 1 of 6

PISTOL HANDLE



LEVER HANDLE

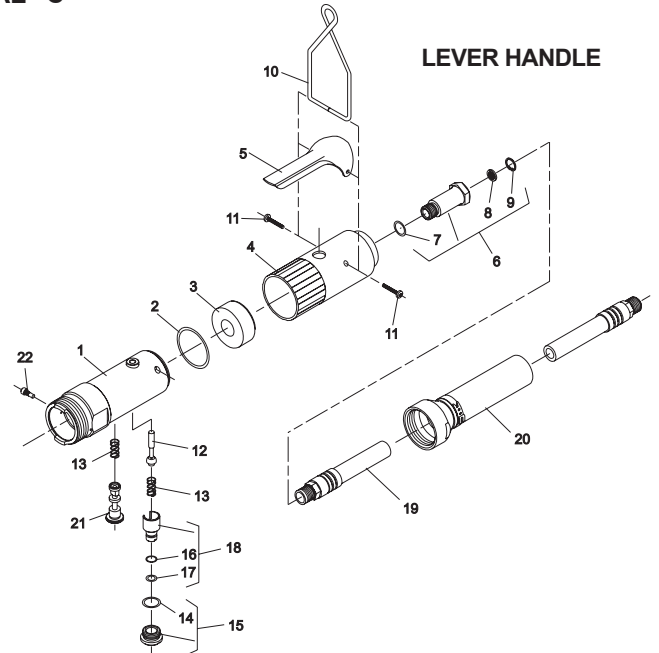


Fig. No.	Part No.	Description	
1.	12660	Housing	
2.	40157	Pin—Dowel (1/8" x 1-1/8")	
3.	54968	Retainer—Exhaust	
4.	54955	Adapter—Inlet	
5.	14281	Ring—"O"	
6.	30463	Screen	
7.	21541	Ring—Retaining	
8.	1376	Ass'y—Leader Hose	Remote Exhaust
9.	63546	Ass'y—Exhaust Tube Remote	
10.	40153	Clip—Hose (3)*	
11.	14366	Ring—"O"	
12.	63545	Ass'y—Silencer	
13.	65217	Ass'y—Trigger (Reversing)	
14.	54222	Valve	
§15.		Sleeve—Valve	
16.	14378	Ring—"O" (2)*	
§17.		Body—Valve (Reversing)	
18.	14309	Ring—"O"	
19.	21401	Spring	
20.	40155	Pin—Dowel (1/8" x 3/8")	
21.	06458	Screw—Set (#8-32 x 3/16")	
22.	12676	Trigger	
23.	06459	Screw—Set (#8-32 x 1/2")	
24.	65227	Body—Valve & Sleeve (Reversing)	
25.	63359	Ass'y—Trigger (Non-Reversing)	
26.	11600	Body—Valve (Non-Reversing)	

COMPLETE ASSEMBLY—Pistol Handle
63360 Ass'y—Housing (Reversing)
(Includes Figs. 1-7, 12, 14)
63361 Ass'y—Housing (Non-Reversing)
(Includes Figs. 1-7, 12, 25)

§Not Available—Order Part Number 65227 (Fig. 24)

Fig. No.	Part No.	Description	
1.	64035	Housing (Reversing)	
	64036	Housing (Non-Reversing)	
2.	14333	Ring—"O"	
3.	40116	Material—Exhaust	
4.	04041	Cover—Housing (Reversing)	
	04042	Cover—Housing (Non-Reversing)	
5.	35737	Lever	
6.	54837	Adapter—Intake	
7.	14312	Ring—"O"	
8.	30463	Screen	
9.	21541	Ring—Retaining	
10.	41334	Bail	
11.	65499	Screw—Pan Hd. (Self-Tap)(#6-32 x 3/4)(2)*	
12.	63241	Ass'y—Valve	
13.	21427	Spring	
14.	14309	Ring—"O"	
15.	54844	Retainer—Speed Control	
16.	14290	Ring—"O"	
17.	14291	Ring—"O"	
18.	54843	Speed—Control	
19.	1376	Hose—Leader	Remote Exhaust
20.	63355	Ass'y—Hose Exhaust	
21.	64038	Spool—Valve (Reversing Only)	
	64097	Spool—Valve Locking	
22.	06254	Screw—Spool Retaining (Reversing Only)	

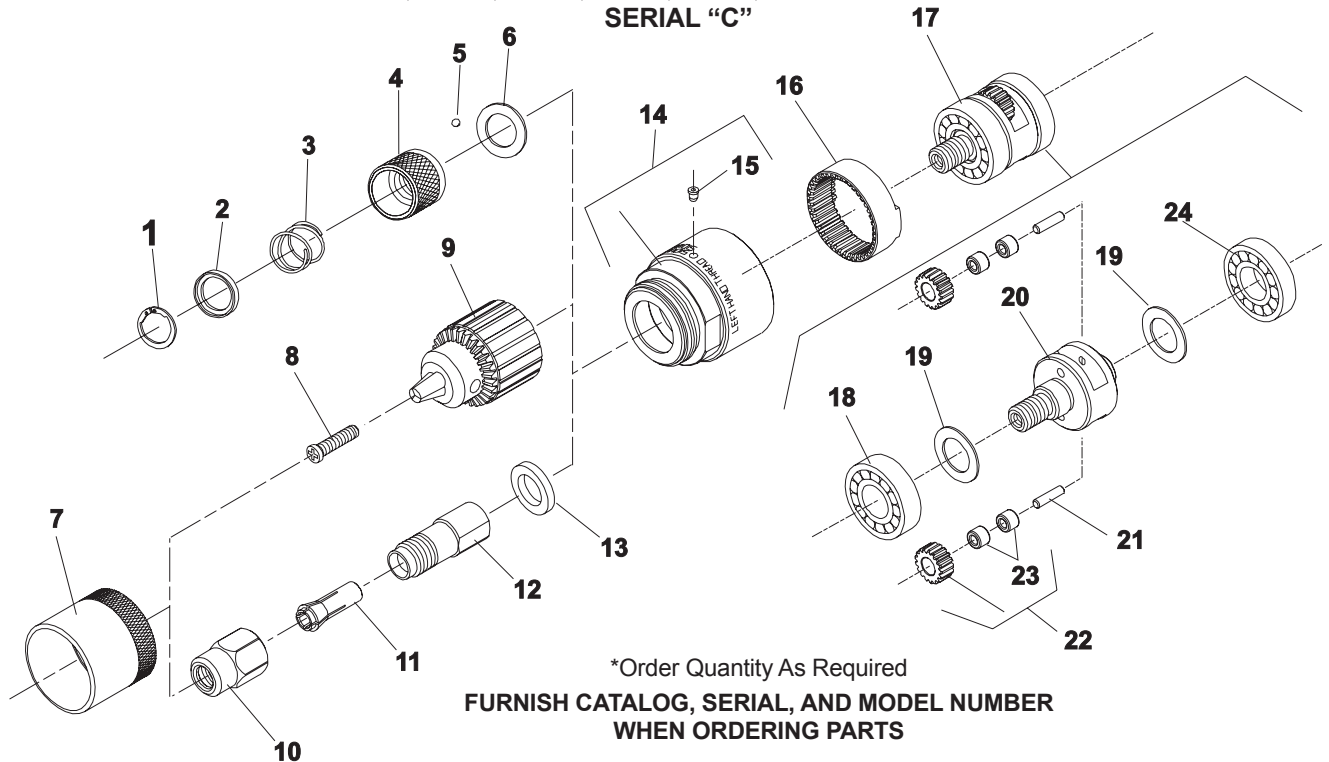
COMPLETE ASSEMBLY
63443 Ass'y—Housing (Reversing)
(Includes Figs. 1-18 & 21-23)
63444 Ass'y—Housing (Non-Reversing)
(Includes Figs. 1-18)

*Order Quantity As Required

**FURNISH CATALOG, SERIAL, AND MODEL NUMBER
WHEN ORDERING PARTS**



**PARTS LIST FOR NO. 2 1/2 SERIES SINGLE REDUCTION GEAR CASE
2000, 2600, 2500, 3350, 4400, 5800 RPM UNITS
SERIAL "C"**



*Order Quantity As Required

**FURNISH CATALOG, SERIAL, AND MODEL NUMBER
WHEN ORDERING PARTS**

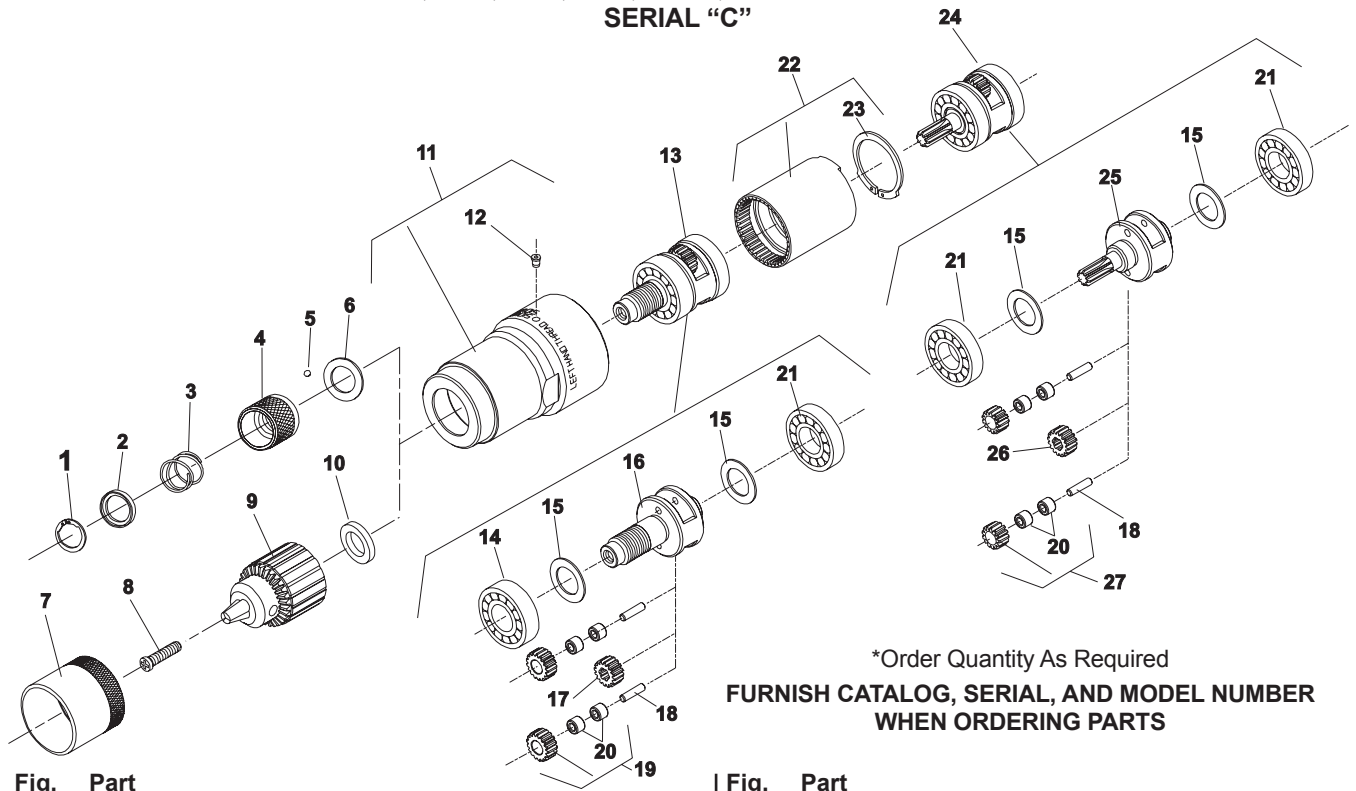
Fig. No.	Part No.	Description
1.	21501	Ring—Retaining
2.	44660	Ring—Guide
3.	21406	Spring—Stall Drive
4.	44161	Retainer—Ball
5.	10902	Ball—Steel
6.	25439	Washer
7.	34952	Shield—Chuck (1/4" Cap.)
	34951	Shield—Chuck (3/8" Cap.)
8.	57250	Screw (M5 x .8 x 20 L.H.)(1/4 Cap. Chucks)
	57250R	Screw (M5 x .8 x 20 L.H.)(3/8 Cap. Chucks)
9.	21019A	Chuck (0-1/4" Cap.)
	21133	Chuck (1/16"-3/8" Cap.)
	30202	Key—Chuck (For 1/4" Chucks)(Not shown)
	30002	Key—Chuck (For 3/8" Chucks)(Not shown)
10.	21097	Nut—Collet
	30465	Wrench—9/16"
	30466	Wrench—11/16"
11.	44440	Collet—1/4"
	44523	Collet—3/16"
	44522	Collet—1/8"
12.	21096	Body—Collet
13.	44122	Spacer (Collets Only)
14.	67927	Case—Gear (Stall Drive and Drill) (Without Threads)
	67928	Case—Gear (Screwdriver, Nutrunner) (With Threads)
15.	30375	Fitting—Grease
16.	67858	Gear—Ring

Quick Change

Requires Gear Case with Threads

Fig. No.	Part No.	Description
17.	<i>Screwdriver & Nutrunner</i>	
	67911	Ass'y—Planetary Reduction (2000, 2600 RPM)
	67912	Ass'y—Planetary Reduction (2500, 3350 RPM)
	<i>Drills 3/8-24 Thd</i>	
	67895	Ass'y—Planetary Reduction (2000, 2600 RPM)
	67896	Ass'y—Planetary Reduction (2500, 3350 RPM)
	<i>Stall Drive (Includes Figs. 1-6)</i>	
	67924	Ass'y—Planetary Reduction (2000, 2600 RPM)
	67925	Ass'y—Planetary Reduction (2500, 3350 RPM)
18.	10228	Bearing—Ball
19.	25439	Washer(2)*
20.	<i>Screwdriver</i>	
	67884	Carrier—Gear (2000, 2600 RPM)
	67885	Carrier—Gear (2500, 3350 RPM)
	<i>Drills 3/8-24 Thd</i>	
	67870	Carrier—Gear (2000, 2600 RPM)
	67871	Carrier—Gear (2500, 3350 RPM)
	<i>Stall Drive</i>	
	67968	Carrier—Gear (2000, 2600 RPM)
	67877	Carrier—Gear (2500, 3350 RPM)
21.	67857	Pin(2)*
22.	67944	Ass'y—Gear and Bearing (2)* (2000, 2600 RPM)
	67868	Ass'y—Gear and Bearing (2)* (2500, 3350 RPM)
23.	10080	Bearing—Needle(4)*
24.	10203	Bearing—Ball
	2355B	Ass'y—Dead Handle (Not Shown)

**PARTS LIST FOR NO. 2 1/2 SERIES DOUBLE REDUCTION GEAR CASE
400, 540, 700, 900, 1200, 1600 RPM UNITS
SERIAL "C"**



*Order Quantity As Required

**FURNISH CATALOG, SERIAL, AND MODEL NUMBER
WHEN ORDERING PARTS**

Fig. No.	Part No.	Description
1.	21501	Ring—Retainer
2.	44660	Ring—Guide
3.	21406	Spring
4.	44161	Retainer—Ball
5.	10902	Ball—Steel
6.	25439	Washer
7.	34952	Shield—Chuck (1/4" Cap.)
8.	34951	Shield—Chuck (3/8" Cap.)
9.	57250	Screw (M5 x .8 x 20 L.H.)(1/4" Cap.)
10.	57250R	Screw (M5 x .8 x 20 L.H.)(3/8", 1/2" Cap.)
11.	21019A	Chuck (0-1/4" Cap.)
12.	21133	Chuck (1/16"-3/8" Cap.)
13.	21131	Chuck (1/16"-3/8" Cap.)(1/2"-20 Thread)
14.	21137	Chuck (5/64"-1/2" Cap.)(1/2"- 20 Thread)
15.	30202	Key—Chuck (For 1/4" Chucks)(Not shown)
16.	30002	Key—Chuck (For 3/8" Chucks)(Not shown)
17.	30011	Key—Chuck (For 1/2" Chucks)(Not shown)
18.	35798	Washer (400, 540, 700, 900 RPM Drill)
19.	67929	Case—Gear (Stall Drive, Drill)(Without Threads)
20.	67930	Case—Gear (Screwdriver, Nutrunner)(With Threads)
21.	30375	Fitting—Grease
22.	67912	Ass'y—Planetary Reduction (400, 540, 700, 900 RPM)
23.	67943	Ass'y—Planetary Reduction (1200, 1600 RPM)
24.	67902	Ass'y—Planetary Reduction (1/2"-20 Thd) (400, 540, 700, 900 RPM)
25.	67922	Ass'y—Planetary Reduction (3/8"-24 Thd) (1200, 1600 RPM)
26.	67896	Ass'y—Planetary Reduction (3/8"-24 Thd) (400, 540, 700, 900 RPM)
27.	67925	Ass'y—Planetary Reduction (400, 540, 700, 900 RPM)
28.	67961	Ass'y—Planetary Reduction (1200, 1600 RPM)

Quick Change

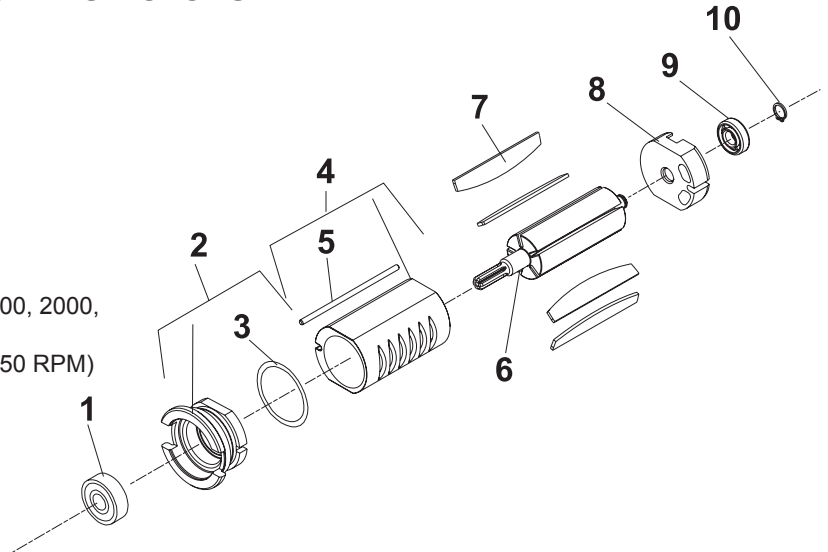
Requires Gear Case with Threads

400, 540, 700, 900 RPM Only

Fig. No.	Part No.	Description
14.	10228	Bearing—Ball
15.	25439	Washer (4)*
16.	67885	Carrier—Gear (400, 540, 700, 900 RPM)
17.	67886	Carrier—Gear (1200, 1600 RPM)
18.	67872	Carrier—Gear (3/8-24)(1200, 1600 RPM)
19.	67876	Carrier—Gear (1/2-20th) (400, 540, 700, 900 RPM)
20.	67871	Carrier—Gear (3/8-24th) (400, 540, 700, 900 RPM)
21.	67877	Carrier—Gear (400, 540, 700, 900 RPM)
22.	67878	Carrier—Gear (1200, 1600 RPM)
23.	67860	Gear—Pinion (1200, 1600 RPM)
24.	67857	Pin (4)*
25.	67868	Ass'y—Gear & Bearing (2)* (400, 540, 700, 900 RPM)
26.	67865	Ass'y—Gear & Bearing (2)*(1200, 1600 RPM)
27.	67936	Bushing (2)*(1200, 1600 RPM)
28.	10080	Bearing—Needle (4)*(400, 540, 700, 900 RPM)
29.	10203	Bearing—Ball (3)*
30.	67859	Gear—Ring
31.	21510	Ring—Retainer
32.	67918	Ass'y—Planetary Reduction (400, 540 RPM)
33.	67919	Ass'y—Planetary Reduction (700, 900 RPM)
34.	67920	Ass'y—Planetary Reduction (1200, 1600 RPM)
35.	67891	Carrier—Gear (400, 540 RPM)
36.	67892	Carrier—Gear (700, 900 RPM)
37.	67967	Carrier—Gear (1200, 1600 RPM)
38.	67860	Gear—Pinion (700, 900, 1200, 1600 RPM)
39.	67868	Ass'y—Gear & Bearing (2)*(400, 540 RPM)
40.	67866	Ass'y—Gear & Bearing (2)* (700, 900, 1200, 1600 RPM)
41.	2355B	Assy'—Dead Handle (Not Shown)

**PARTS LIST FOR NO. 2 1/2 SERIES MOTORS
SERIAL "C"**

Fig. No.	Part No.	Description
1.	10220	Bearing—Ball
2.	13550	End Plate—Front
3.	14342	Ring—"O"
4.	64108	Cylinder (Reversing)
	64057	Cylinder (Non-Reversing)
5.	68403	Pin
6.	67855	Rotor (6-Tooth)(700, 900, 1200, 1600, 2000, 2600, 4400, 5800 RPM)
	67856	Rotor (8-Tooth)(400, 540, 2500, 3350 RPM)
7.	63192	Ass'y—Rotor Vane (Set of 5)
8.	10552	End Plate—Rear
9.	10230	Bearing—Ball
10.	21491	Ring—Retaining



COMPLETE ASSEMBLIES

- 75200 Ass'y—Motor (6-Tooth)(Reversing)
(700, 1200, 2000, 4400 RPM)
- 75201 Ass'y—Motor (8-Tooth)(Reversing)
(400, 2500 RPM)
- 75202 Ass'y—Motor (6-Tooth)(Non-Reversing)
(900, 1600, 2600, 5800 RPM)
- 75203 Ass'y—Motor (8-Tooth)(Non-Reversing)
(540, 3350 RPM)

**PARTS LIST FOR NO. 2 1/2 SERIES ALL ANGLE HEAD
SERIAL "C"**

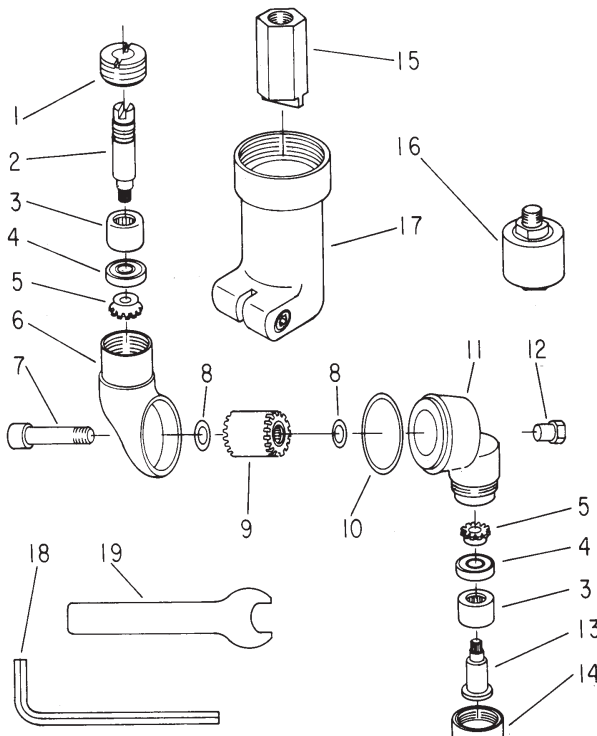
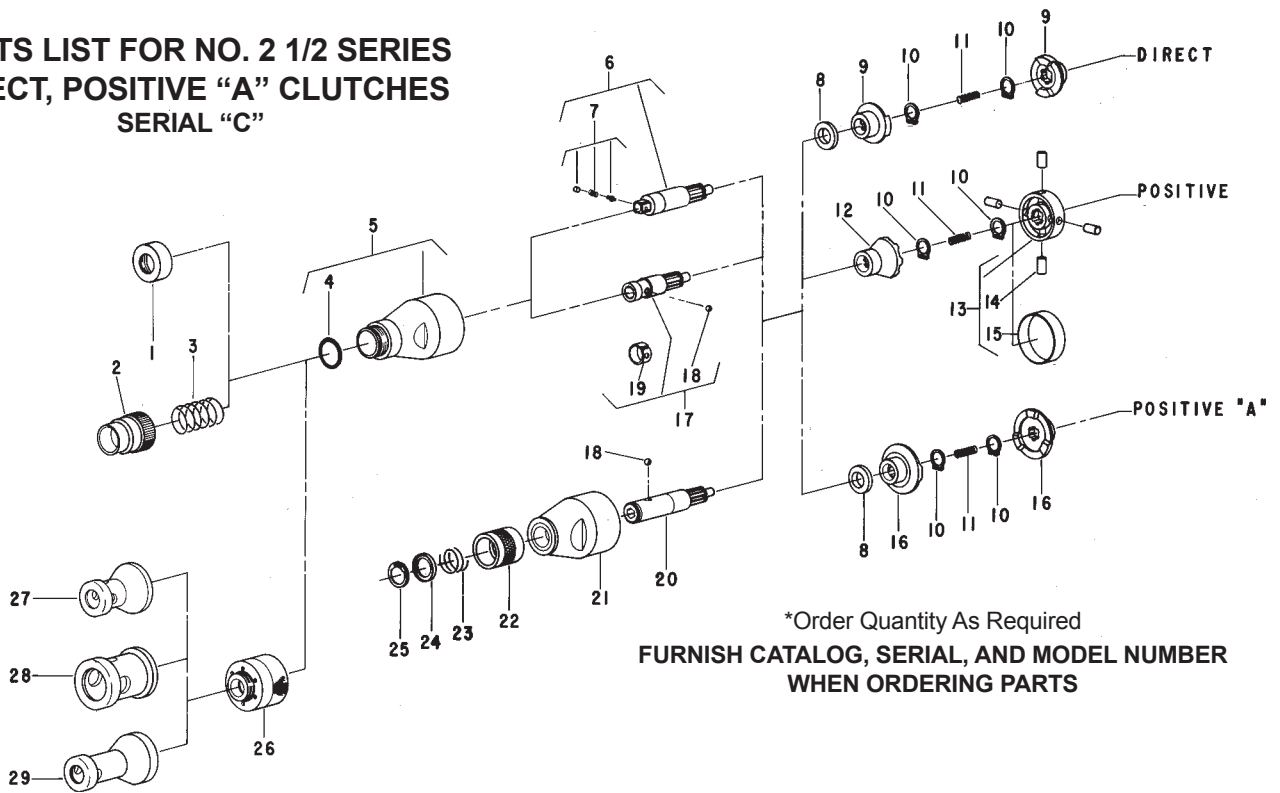


Fig. No.	Part No.	Description
1.	13308	Nut—Rear Bearing Retainer
2.	54641	Drive—Spindle
3.	10068	Bearing—Needle
4.	10285	Bearing—Ball
5.	19473	Gear—Pinion
6.	12403	Housing—Drive Spindle
7.	40004	Stud—Swivel
8.	35449	Washer—Shim (.010")
9.	19330	Ass'y—Gear & Bearings
10.	40006	Washer—Copper Shim
11.	12404	Housing—Drill Spindle
12.	40005	Nut—Swivel Stud
13.	54642	Spindle—Drill
14.	54643	Retainer—Front Bearing
15.	54616	Coupler
16.	21130	Chuck—Complete
17.	12401	Sleeve
18.	30206	Wrench—Allen (3/16")
19.	40007	Wrench—Chuck Body
	53822	Ass'y—All Angle Head (Includes Figs. 1 thru 14, and 16, 19)

*Order Quantity As Required

**FURNISH CATALOG, SERIAL, AND MODEL NUMBER
WHEN ORDERING PARTS**

**PARTS LIST FOR NO. 2 1/2 SERIES
DIRECT, POSITIVE "A" CLUTCHES
SERIAL "C"**



*Order Quantity As Required
**FURNISH CATALOG, SERIAL, AND MODEL NUMBER
WHEN ORDERING PARTS**

Fig. No.	Part No.	Description
1.	54076	Protector—Thread
2.	44520	Retainer—Finder (Screwdriver)
3.	2525	Bit Holder—Magnet (Magnetic only)
4.	14281	Ring—"O"
5.	53100	Case—Clutch
6.	63449	Ass'y—Drive Spindle (1/4" Square)(Nutrunner)
	63450	Ass'y—Drive Spindle (3/8" Square)(Nutrunner)
7.	33827	Ass'y—Socket Retainer (1/4" Square) (Nutrunner)
	33465	Ass'y—Socket Retainer (3/8" Square) (Nutrunner)
8.	44663	Spacer (Direct and Positive "A")
9.	64039	Clutch—Direct (2)*
10.	21500	Ring—Retainer (2)*
11.	21379	Spring
12.	64040	Clutch—Positive
13.	33630	Ass'y—Roller Cage
14.	34856	Roller (4)*
15.	34854	Ring—Roller Retainer
16.	44662	Clutch—Positive "A" (2)*
	68068	Clutch—Positive "AS" 25° (Set of 2)
17.	63447	Ass'y—Drive Spindle (Screwdriver)
18.	10902	Ball—Retainer (Screwdriver and Quick Change)
19.	25854	Ring—Ball Retainer (Screwdriver)
20.	63448	Ass'y—Drive Spindle (Quick Change) (Includes Figs. 18, 22-25)
21.	54469	Case—Clutch (Quick Change)
22.	54468	Retainer—Ball (Quick Change)
23.	21406	Spring (Quick Change)
24.	44660	Ring—Guide (Quick Change)
25.	21501	Ring—Retaining (Quick Change)
26.	53511	Ass'y—Depth Locator Base
27.	54103	Nose Piece—Round Locator
	14109	Cap—End
28.	54104	Nose Piece—Fastener Locator
	14110	Cap

Fig. No.	Part No.	Description
29.	54241	Nose Piece—Long Round Locator
	14109	Cap—End
30.	2497	Bushing (Magnetic only)

COMPLETE ASSEMBLY	
<i>Direct Clutch</i>	
63481	Ass'y—Complete Clutch (Screwdriver) (Figs. 1-5, 17, 8-11)
63482	Ass'y—Complete Clutch (Quick Change) (Figs. 8-11, 18, 20-25)
63483	Ass'y—Complete Clutch (Nutrunner 1/4" Square) (Figs. 1, 4-11)
63484	Ass'y—Complete Clutch (Nutrunner 3/8" Square) (Figs. 1, 4-11)
<i>Positive Clutch</i>	
63485	Ass'y—Complete Clutch (Screwdriver) (Figs. 1-5, 10-15, 17)
63486	Ass'y—Complete Clutch (Quick Change) (Figs. 10-15, 18, 20-25)
63487	Ass'y—Complete Clutch (Nutrunner 1/4" Square) (Figs. 1, 4-7, 10-15)
63488	Ass'y—Complete Clutch (Nutrunner 3/8" Square) (Figs. 1, 4-7, 10-15)
<i>Positive "A" Clutch</i>	
63489	Ass'y—Complete Clutch (Screwdriver) (Figs. 1-5, 8, 10, 11, 16, 17)
63490	Ass'y—Complete Clutch (Quick Change) (Figs. 8, 10, 11, 16, 18, 20-25)
63491	Ass'y—Complete Clutch (Nutrunner 1/4" Square) (Figs. 1, 4-8, 10, 11, 16)
63492	Ass'y—Complete Clutch (Nutrunner 3/8" Square) (Figs. 1, 4-8, 10, 11, 16)
<i>Positive "AS" Clutch</i>	
68289	Ass'y—Complete Clutch (Quick Change) (Figs. 8, 10, 11, 16, 18, 20-25)
68290	Ass'y—Complete Clutch (Figs. 1-5, 8, 10, 11, 16, 17)

**PARTS LIST FOR NO. 2 1/2 SERIES ADJUSTABLE CLUTCH
SERIAL "C"**

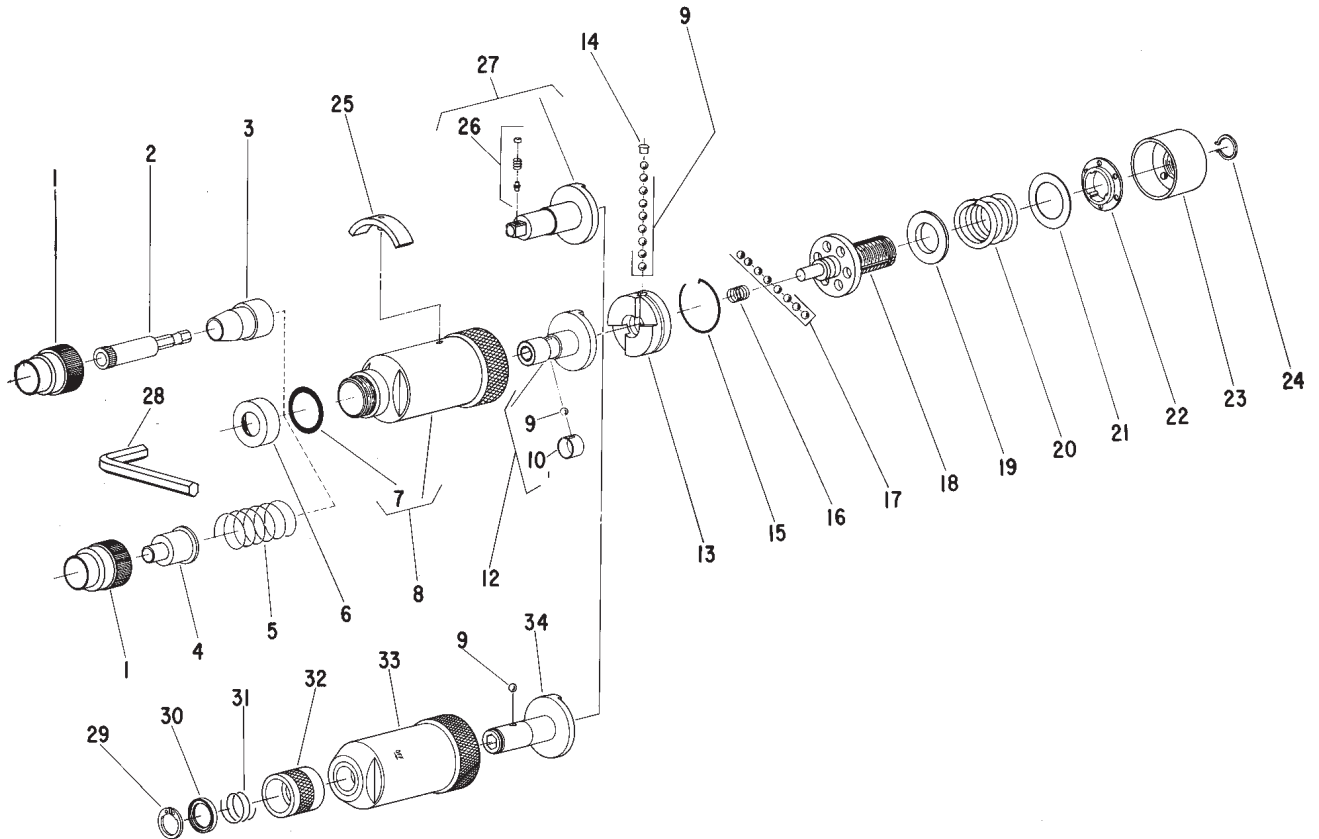


Fig. No.	Part No.	Description
1.	44520	Retainer—Finder
2.	2525	Bit Holder—Magnetic (Magnetic Only)
3.	2497	Bushing (Magnetic Only)
6.	54076	Protector—Thread
7.	14281	Ring—"O"
8.	53074	Ass'y—Clutch Case
9.	10902	Ball—Steel (10)*
10.	25854	Clip—Retainer
12.	53076	Ass'y—Bit Holder
13.	54071	Jaw—Clutch
14.	54074	Retainer—Ball
15.	21827	Ring—Retaining
16.	41250	Spring
17.	10291	Ball—Steel (8)*
18.	22669	Spindle—Clutch
19.	54072	Guide—Spring
20.	41249	Spring—Compression (For torque setting above 25 inch pounds)
	41284	Spring—Compression (Green)(For torque setting below 25 inch pounds)
21.	35273	Washer
22.	54073	Washer—Index
23.	53095	Nut—Adjusting
24.	21774	Ring—Retaining
25.	53099	Wrench—Adjusting

Fig. No.	Part No.	Description
26.	33827	Ass'y—Socket Retainer (1/4" Square Nutrunner)
	33465	Ass'y—Socket Retainer (3/8" Square Nutrunner)
27.	53082	Spindle—Drive (1/4" Square Nutrunner)
	53083	Spindle—Drive (3/8" Square Nutrunner)
28.	30208	Wrench—Allen
29.	21501	Ring—Retaining
30.	44660	Ring—Guide
31.	21406	Spring
32.	54468	Retainer—Ball
33.	54470	Case—Clutch
34.	22677	Holder—Bit

COMPLETE ASSEMBLY

- 53090 Ass'y—Adjustable Clutch Complete (1/4" Hex Screwdriver)
- 53089 Ass'y—Adjustable Clutch Complete (3/8" Square Nutrunner)
- 53088 Ass'y—Adjustable Clutch Complete (1/4" Square Nutrunner)
- 53586 Ass'y—Clutch Case & Bit Holder (Includes Figs. 9, 29-34)(Quick Change Screwdriver)
- 53085 Ass'y—Adjustable Clutch w/o Bit Holder (Includes Figs. 9, 13-24)



Snap-on Power Tools Inc

250 Snap-on Drive • PO Box 1596 • Murphy, NC 28906 • USA • Phone: 828-835-9765 • www.siouxtools.com Printed In U.S.A.

This pdf incorporates the following model numbers:

2L1130, 2L1230, 2L1310, 2L1330, 2L1380, 2L1410, 2L1430, 2L1520, 2L1610, 2L1630,
2L2100PF, 2L2105Q, 2L2107, 2L2205Q, 2L2230, 2L2305Q, 2L2410, 2L2507, 2L2605Q,
2P1500LF, 2P2103AQ, 2P2105, 2P2105Q, 2P2203AQ, 2P2203ASQ, 2P2203Q, 2P2205Q,
2P2207, 2P2303, 2P2303A, 2P2303AQ, 2P2303ASQ, 2P2305, 2P2305Q, 2P2307, 2P2500LF,
2P2505Q, 2P2507, 2P2603A, 2P2603ASQ, 2P2603Q, 2P2605Q, 2P2607