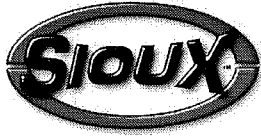




NOTE: Parts are no longer available for this tool.

The manual will continue on the next page.



INSTRUCTIONS & PARTS LIST FOR 710

SET-UP

1. Unpack machine and basket.
2. Level machine with feet provided.
3. Check tightness of drain plug.
4. Fill with correct solvent to proper level. Note level tab on left end of tank. Do not overfill.
5. Place basket in tank.
6. Connect to a grounded outlet.

SOLVENTS

Acceptable solvents are water based cleaners such as alkaline degreasers. These are commonly used in hot tank cleaners. If this type of cleaner is used in the 710, it should be diluted to 10% of the amount used for hot tank cleaning. These degreasers will destroy the basket lining and bearing if used in higher concentrations. Contact your SIOUX distributor or the factory for advice on degreasers.

Do not use gasoline, diesel fuel, kerosene or alcohol in any quantity.

As an alternative to water based cleaners use only standard solvent (mineral spirits) or other approved solvents with a flash point of 140°F (60°C) or higher.

OPERATIONS

1. Wear rubber gloves when loading and unloading.
2. Make sure timer is turned to "off" position before loading and unloading.
3. Load basket with shot.
4. Put stem protectors on valves if desired.
5. Place parts in basket.
6. Close basket lid and make sure lid is completely latched.
7. Set timer to desired length of time. Most valves are cleaned in about 10 minutes. Do not tumble parts for excessive period of time or a slight peening of surfaces will occur.
8. When timer stops, unload basket. Close basket lid and tank lid to minimize evaporation of solvent.

WATER SOLUBLE CLEANERS FOR 710

Almco #150X	1%-2% Solution
Almco Ind. Finishing Systems	1/8-1/4 Cup/Gallon
Albert Lea, MN 56007	
Fremont #3800	1/4 Cup/Gallon
Fremont Ind.	
Shakopee, MN 55379	
Tumbler 50	1/4 Cup/Gallon
Coral Chemical	
135 Lebaron St.	
Waukegan, IL 60085	
Interchem 320	1%-2% Solution
International Chemical Corp.	1/8-1/4 Cup/Gallon
Box 2264	
Memphis, TN 38101	

All the above cleaners are of an alkaline type detergent. Do not mix stronger than a 2% concentration. This is a maximum pH of 13 in most cases. This pH level can be checked by purchasing litmus paper of the proper grade. Concentrations above 2% (pH 13) are extremely caustic and may cause damage to the ball bearings as well as irritate the operator's skin.

Replace or filter cleaning fluid on a regular basis (1 to 2 weeks) to control the amount of solids in the fluid. Failure to do so may result in premature gear or bearing failure.

**SIOUX
TOOLS INC.**

250 SNAP-ON DRIVE ■ PO BOX 1596 ■ MURPHY, NC 28906 ■ USA ■

Printed In U.S.A.

SAFETY INSTRUCTIONS

1. KEEP GUARDS IN PLACE and working order.
2. REMOVE ADJUSTING KEYS AND WRENCHES. Form habit of checking to see that the keys and adjusting wrenches are removed from tool before turning it on.
3. KEEP WORK AREA CLEAN. Cluttered areas and benches invite accidents
4. DON'T USE IN DANGEROUS ENVIRONMENT. Don't use power tools in damp or wet locations, or expose them to rain. Keep work area well lighted.
5. KEEP ALL CHILDREN AWAY. All visitors should be kept safe distance from work area.
6. MAKE WORKSHOP KID PROOF with padlocks, master switches, or by removing starter keys.
7. DON'T FORCE TOOL. It will do the job better and safer at the rate for which it was designed.
8. USE RIGHT TOOL. Don't force tool or attachment to do a job for which it was not designed.
9. WEAR PROPER APPAREL. Wear no loose clothing, neckties, rings, bracelets, or other jewelry which may get caught in moving parts. Nonslip footwear is recommended. Wear protective hair covering to contain long hair.
10. ALWAYS USE SAFETY GLASSES. Also use face or dust mask if cutting operation is dusty. Everyday eyeglasses only have impact resistant lenses, they are NOT safety glasses.
11. SECURE WORK. Use clamps or a vise to hold work when practical. It's safer than using your hand and it frees both hands to operate tool.
12. DON'T OVERREACH. Keep proper footing and balance at all times.
13. MAINTAIN TOOLS WITH CARE. Keep tools sharp and clean for best and safest performance. Follow instructions for lubricating and changing accessories.
14. DISCONNECT TOOLS before servicing; when changing accessories, such as blades, bits, cutters, and the like.
15. REDUCE THE RISK OF UNINTENTIONAL STARTING. Make sure switch is in off position before plugging in.
16. USE RECOMMENDED ACCESSORIES. Consult the owner's manual for recommended accessories. The use of improper accessories may cause risk or injury to persons.
17. NEVER STAND ON TOOL. Serious injury could occur if the tool is tipped or if the cutting tool is unintentionally contacted.
18. CHECK DAMAGED PARTS. Before further use of the tool, a guard or other part that is damaged should be carefully checked to determine that it will operate properly and perform its intended function -check for alignment of moving parts, binding of moving parts, breakage of parts, mounting, and any other conditions that may affect its operation. A guard or other part that is damaged should be properly repaired or replaced.
19. DIRECTION OF FEED. Feed work into a blade or cutter against the direction of rotation of the blade or cutter only.
20. NEVER LEAVE TOOL RUNNING UNATTENDED. TURN POWER OFF.

GROUNDING INSTRUCTIONS

1. All grounded, cord-connected tools:

In the event of a malfunction or breakdown, grounding provides a path of least resistance for electric current to reduce the risk of electric shock. This tool is equipped with an electric cord having an equipment-grounding conductor and grounding plug. The plug must be plugged into a matching outlet that is properly installed and grounded in accordance with all local codes and ordinances.

Do not modify the plug provided. If it will not fit the outlet, have the proper outlet installed by qualified electrician.

Improper connection of the equipment-grounding conductor can result in a risk of electric shock. The conductor with insulation having an outer surface that is green with or without yellow stripes is the equipment-ground conductor. If repair or replacement of the electric cord or plug is necessary, do not connect the equipment-grounding conductor to a live terminal.

Check with a qualified electrician or service personnel if the grounding instructions are not completely understood, or if in doubt as to whether the tool is properly grounded. Use only 3-wire extension cords that have 3-prong grounding plugs and 3-pole receptacles that accept the tool's plug.

Repair or replace damage or worn cord immediately.

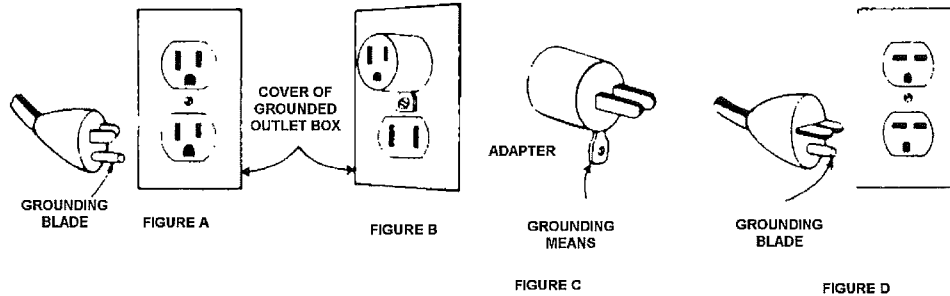
2. Grounded cord-connected tools intended for use on a supply circuit having a normal rating less than 150 volts.

This tool is intended for use on a circuit that has an outlet that looks like the one illustrated in Sketch A. A temporary adapter, which looks like the adapter illustrated in Sketches B and C, may be used to connect this plug to a 2-pole receptacle as shown in Sketch B if a properly grounded outlet is not available. The temporary adapter should be used only until a properly grounded outlet can be installed by a qualified electrician. The green-colored rigid ear, lug, and the like, extending from the adapter must be connected to a permanent grounding such as properly grounded outlet box.

3. Grounded, cord-connected tools intended for use on a supply circuit having a normal rating between 150-250 volts, inclusive:

This tool is intended for use on a circuit that has an outlet that looks like the one illustrated in Sketch D shown below. The tool has a grounding plug that looks like the plug illustrated in Sketch D shown below. Make sure the tool is connected to an outlet having the same configuration as the plug. No adapter is available or should be used with this tool. If the tool must be reconnected for use on a different type or electric circuit, the reconnection should be made by qualified service personnel; and after reconnection, the tool should comply with all local codes and ordinances.

SKETCH A
GROUNDING METHODS



ADAPTER FOR THREE-PRONG GROUNDING TYPE PLUG, AS SHOWN IN FIGURES "B" AND "C", IS NOT APPLICABLE IN CANADA.

PARTS LIST FOR 710 PARTS CLEANER

FRONT VIEW DETAIL

PARTS LIST FOR FIG. 1-15

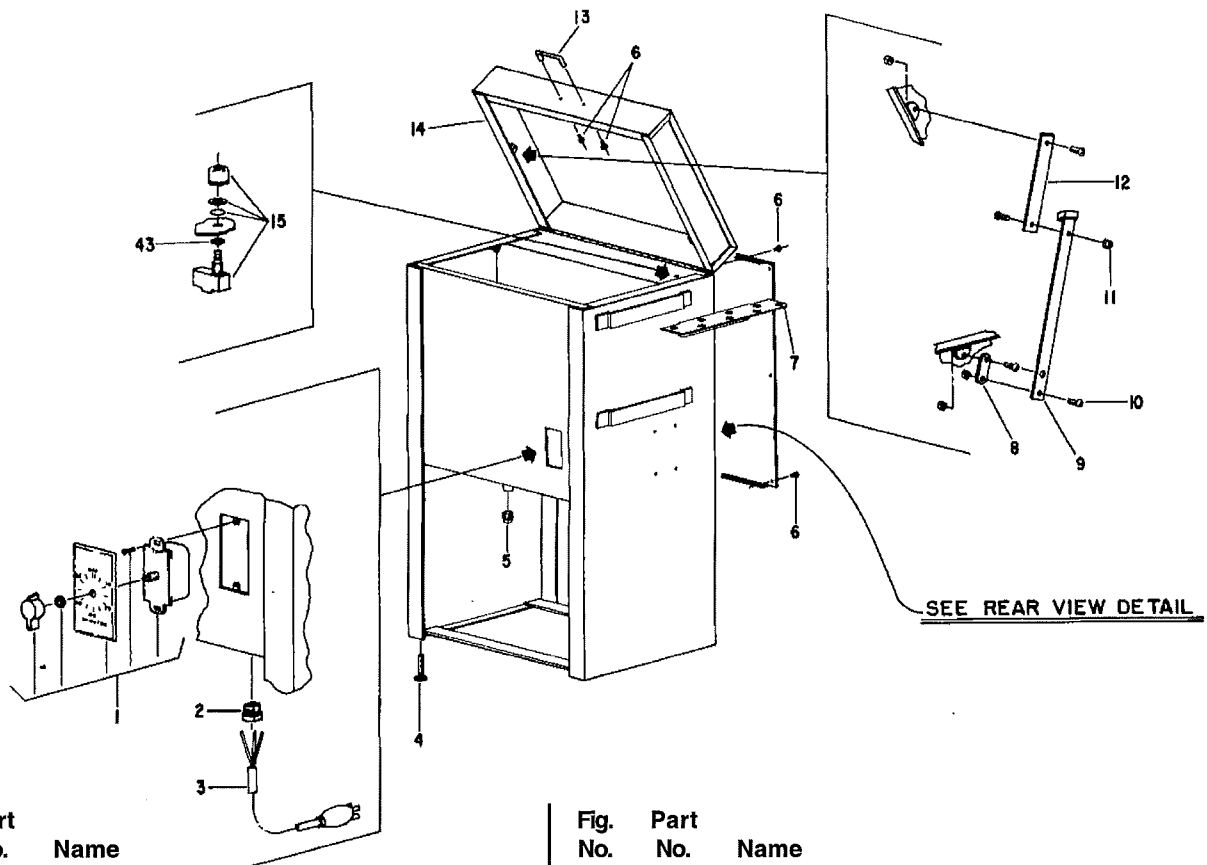
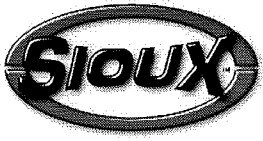


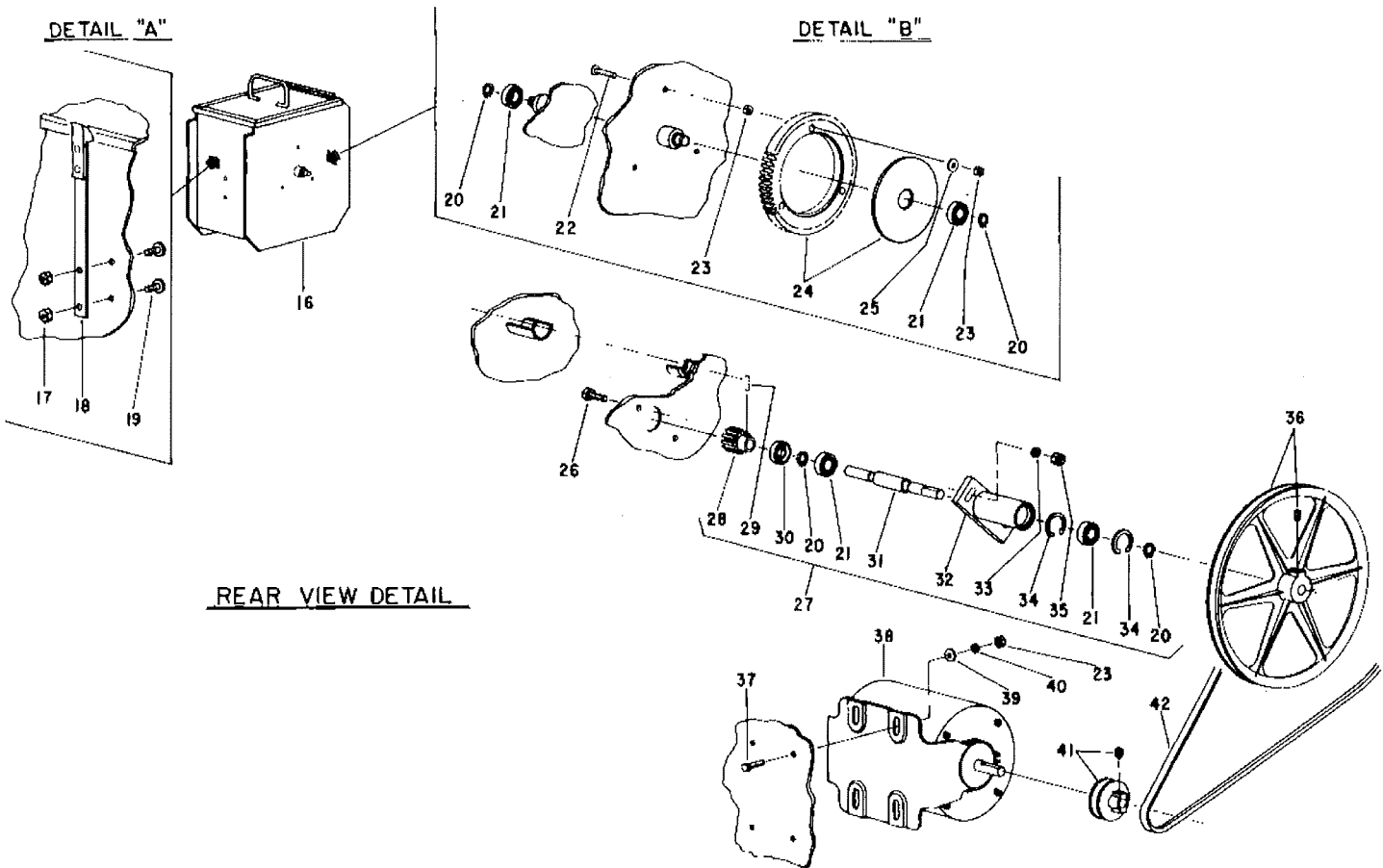
Fig. No.	Part No.	Name
1.	18229	Timer
2.	14848	Bushing - Cord
3.	18510R	Cord, 16-35 (115V)
	18532J	Cord, 16-35 (230V)
4.	09355	Screws - Leveler (2)*
5.	40166	Plug - Pipe 1/2"
6.	06659	Screw #8-32 x 1/2" (11)*
7.	25242	Rack - Valve (4)*

Fig. No.	Part No.	Name
8.	64019	Link - Fusible
9.	35772	Lid Prop - Lower
10.	07212	Screw - PHil. Rd. Hd. #10-32 x 5/8" (4)*
11.	09463	Locknut #10-32 (4)*
12.	35771	Link
13.	64017	Handle
14.	63426	Ass'y - Lid
15.	18226	Switch - Mount



PARTS LIST FOR 710 PARTS CLEANER

REAR VIEW DETAIL PARTS LIST FOR FIG. 16-43



REAR VIEW DETAIL

Fig. No.	Part No.	Name
16.	710B	Ass'y—Basket (Includes Details "A" & "B")
17.	09545	Nut—Hex 5/16-18 (2)*
18.	64020	Fastener—Spring
19.	08650	Screw (2)*
20.	21821	Ring—Retaining (4)*
21.	10228	Bearing—Ball (4)*
22.	08045	Screw (3)*
23.	09495	Nut—Hex 1/4-20 (10)*
24.	19275	Gear—Nylon [Includes Spacer]
25.	35098	Washer (3)*
26.	08775	Screw 5/16-18 x 1 (2)*
27.	63430	Ass'y—Shaft
28.	19271	Gear—Pinion
29.	30362	Pin—Roll
30.	30840	Seal—Oil
31.	64009	Shaft
32.	63432	Ass'y—Bearing Support

Fig. No.	Part No.	Name
33.	09770	Washer—Lock (2)*
34.	21822	Ring—Retaining
35.	09545	Nut—Hex 5/16-18 (2)*
36.	64016	Pulley—Large
37.	08250	Screw 1/4-20 x 1 (4)*
38.	15145	Motor (115V)
	15141-1	Motor (230V)
39.	25069	Washer (4)*
40.	09751	Washer—Lock 1/4" (4)*
41.	64015	Pulley—Motor (Small)
42.	14466	Belt—V
43.	09801	Washer—Lock (1/2" Internal Tooth)

Items Not Shown	
710S	20# of Steel Shot
04040	Protector—Stem (Set of 32)
18660	Nut—Wire (2)*

SIoux TOOLS INC.

250 SNAP-ON DRIVE ■ PO BOX 1596 ■ MURPHY, NC 28906 ■ USA ■

Printed In U.S.A.

This pdf incorporates the following model numbers:

710