

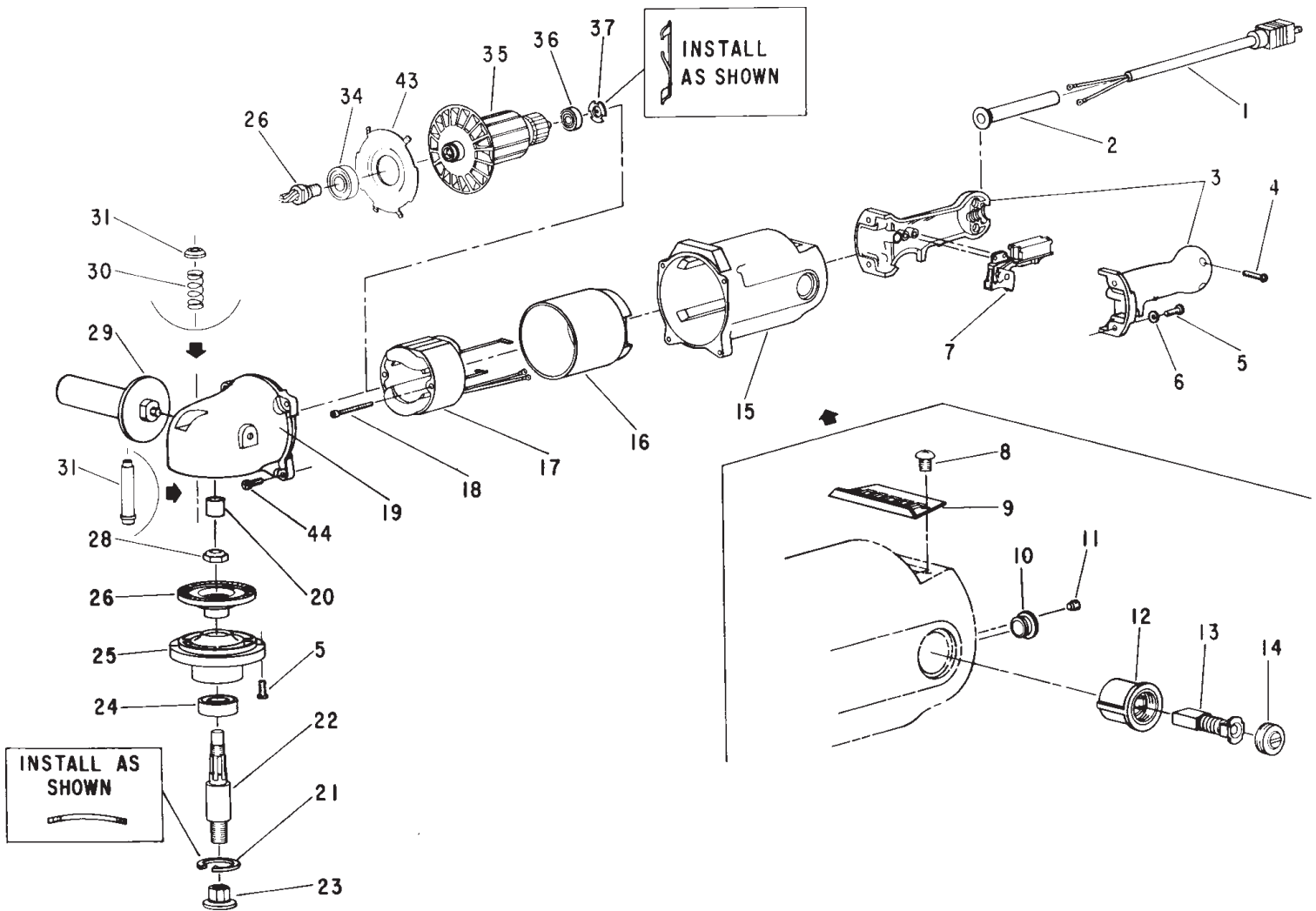


NOTE: Parts are no longer available for this tool.

The manual will continue on the next page.



INSTRUCTIONS & PARTS LIST FOR 1267DI ELECTRIC SANDER (4500 RPM) SERIAL "E"



SIOUX™
TOOLS INC.

2901 FLOYD BOULEVARD ■ PO BOX 507 ■ SIOUX CITY, IOWA 51102-0507 USA ■



INSTRUCTIONS & PARTS LIST FOR 1267DI ELECTRIC SANDER (4500 RPM) SERIAL "E"

Fig. No.	Part No.	Description
1.	18442	Cord With Terminals
2.	04303	Relief—Strain
3.	53786	Ass'y—Handle
4.	06657	Screw—Phil. Pan Hd. (#8-32 x 1 1/8)(3)*
5.	07248	Screw—Torx Pan Hd. (#10-32 x 3/4)(12)*
6.	35234	Washer (4)*
7.	18235	Switch
8.	06662	Screw—Pan Head (#3-32 x 1/4)(2)*
9.	35830	Cover—Inspection Hole
10.	04016	Bushing—Lead Insulating
11.	07000	Screw—Soc. Hd. Cup Pt. Set (2)* (Torque to 9-10 in. Lbs.)
12.	63421	Ass'y—Brush Holder (2)*
13.	18031A	Brush (Set of 2)
14.	18120	Cap—Brush Holder (2)*
15.	12674	Housing [Includes Fig's. 10, 11 (2), 12 (2), 5 (8), 8 (2)]
16.	04027	Sleeve—Field Insulating
17.	28887	Field [Incl's. 14733 (2)]
18.	06610	Screw—Field (#8-32 x 2 1/2)(2)*
	14733	Washer (2)*
19.	65636	Case—Gear [Incl's. Fig's. 20, 30, 31, & 5 (4)]
20.	10023	Bearings—Needle
21.	21819	Ring—Retaining (Bowed)
22.	64183	Spindle—Tool (Incl's Fig. 28)
23.	524	Nut—Lock
24.	10244	Bearing—Ball
25.	12675	Support—Bearing & Bearing Ass'y [Incl's. Fig's. 24 & 21]
26.	19740	Ass'y—Spiral Bevel Gear & Pinion
28.	09693	Nut—Lock (Torque to 55 Ft. Lbs. Min.)
29.	63349	Ass'y—Side Handle
30.	41332	Spring
31.	54991	Pin—Spindle Lock
34.	10290	Bearing—Ball
35.	28937	Armature
	28649	Armature With Bearing
	04321	Fan
36.	10931	Bearing—Ball
37.	41333-1	Finger—Spring Washer
43.	65635	Retainer—Bearing
44.	07098	Screw—Soc. Cap (#10-32 x 3/4)(4)*

Items Not Shown:

20822 Plate—Name

SIOUX™
TOOLS INC.

*ORDER QUANTITY AS NEEDED

This pdf incorporates the following model numbers:

1267DI