



**NOTE: Parts are no longer available for this tool.**

**The manual will continue on the next page.**



# Parts List for 1267DI Electric Sander (4500 RPM)

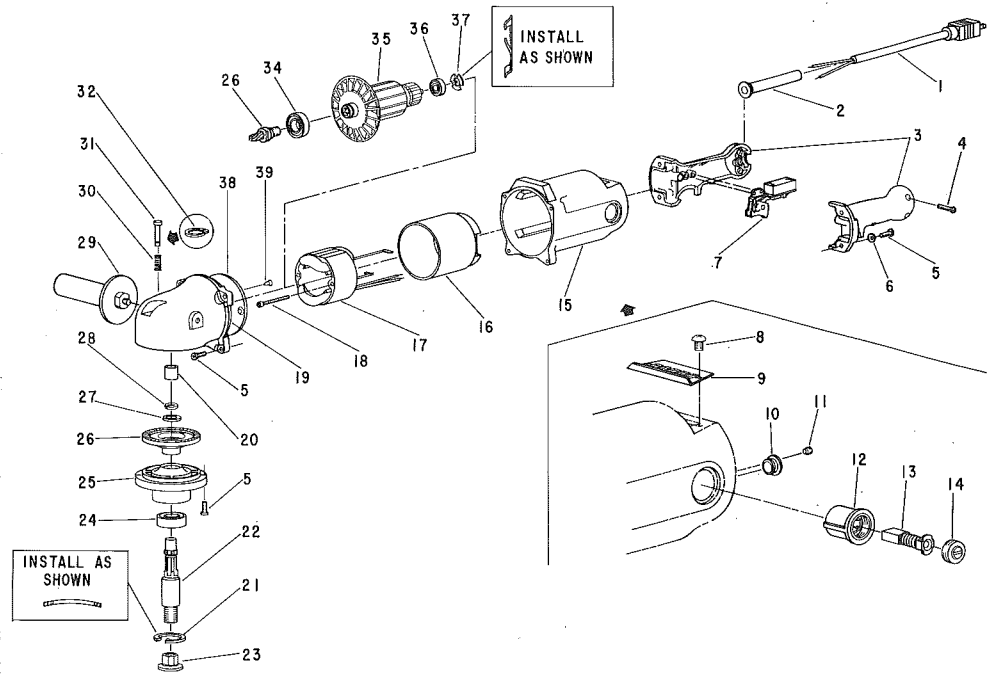


Figure	Part No.	Name	Figure	Part No.	Name
1	18442	Cord	19	12677	Case—Gear [Incl's. Fig's. 20, 30, 31, 32, & 5 (4)]
2	04303	Relief—Strain	20	10023	Bearing—Needle
3	53786	Assy.—Handle	21	54989	Spindle—Tool
4	06657	Screw—Phil. Pan Hd. (#8-32x1 1/8) (3)*	22	21819	Ring—Retaining (Bowed)
5	07248	Screw—Torx Pan Hd. (#10-32x3/4) (12)*	23	524	Nut—Lock
6	35234	Washer (4)*	24	10244	Bearing Ball
7	18224	Switch	25	12675	Support—Bearing & Bearing Assy. (Incl's. Fig's. 24 & 22)
8	06662	Screw—Pan Hd. (3-32x1/4) (2)*	26	19739	Assy.—Spiral Bevel Gear & Pinion (1200)
9	35830	Cover—Inspection Hole	19740	Assy.—Spiral Bevel Gear & Pinion (1267DI)	
10	04016	Bushing—Lead Insulating	27	41331	Washer—Spring (Curved)
11	07000	Screw—Soc. Hd. Cup Pt. Set (2)*	28	21820	Ring—Retaining
12	63421	Assy.—Brush Holder W/Insulating Sleeve (2)*	29	63349	Assy.—Side Handle
13	18031	Brush (Set of 2)	30	41332	Spring
14	18120	Cap—Brush Holder (2)*	31	54991	Pin—Spindle Lock
15	12674	Housing [Incl's. Fig's. 10, 11 (2), 12 (2), 5 (8), 8 (2)]	32	21491	Ring—Retaining
16	04027	Sleeve—Field Insulating	34	10290	Bearing—Ball
17	28986	Field	35	28937	Armature
18	06610	Screw—Field (#8-32x2 1/2) (2)*	28649	Armature W/Bearing [Incl's. Fig's. 34 & 36]	
	14733	Washer	04321	Fan	
			36	10931	Bearing—Ball
			37	41333-1	Finger—Spring Washer
			38	35833	Plate
			39	07261	Screw—Flat Hd. (#10-24x1/2) (2)*

Items Not Shown  
20822 Plate—Name 1267DI

\*Order Quantity As Needed

## SIoux TOOLS INC.

2901 FLOYD BOULEVARD ■ SIOUX CITY, IOWA 51102 ■

PRINTED IN U.S.A.

This pdf incorporates the following model numbers:

1267DI