



**NOTE: Parts are no longer available for this tool.**

**The manual will continue on the next page.**



# Parts List for

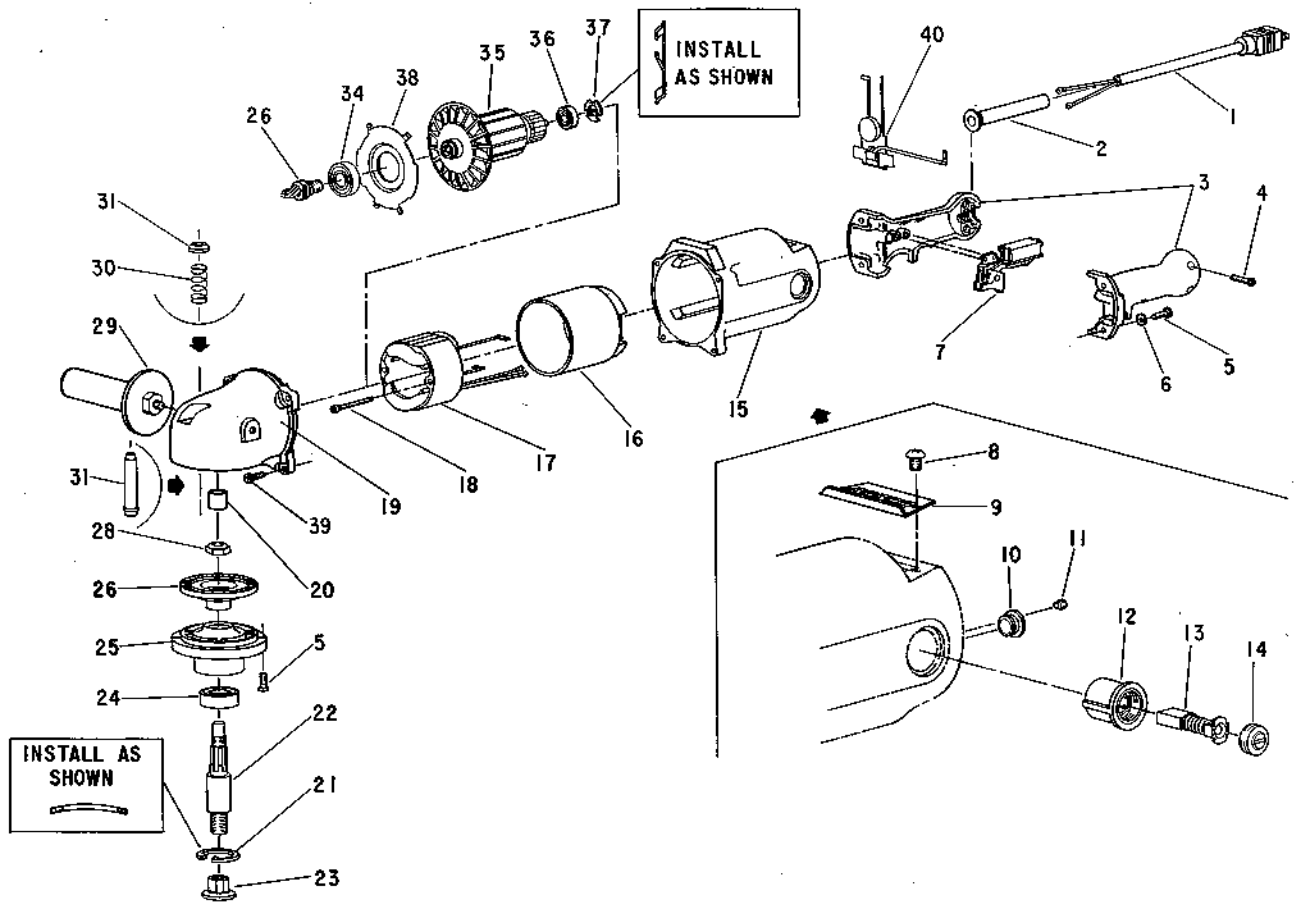
## 1200DI Electric Polisher (2000 RPM)

## 1200VS Polisher (Variable Speed)

## 1203DI Electric Polisher (3000 RPM)

## 1216DI Electric Polisher (1500 RPM)

### Serial "E"



**SIoux**  
**TOOLS INC.**

2901 FLOYD BOULEVARD ■ SIOUX CITY, IOWA 51102 ■

# Parts List for

## 1200DI Electric Polisher (2000 RPM)

## 1200VS Polisher (Variable Speed)

## 1203DI Electric Polisher (3000 RPM)

## 1216DI Electric Polisher (1500 RPM)

### Serial "E"

Fig ure	Part No.	Name	Fig ure	Part No.	Name
1	18442	Cord w/Terminals	20	10023	Bearing—Needle
2	04303	Relief—Strain	21	21819	Ring—Retaining (Bowed)
3	53786	Assy.—Handle (1200DI, 1203DI, 1216DI)	22	64183	Spindle—Tool (Incl's. Fig. 28)
	65585	Assy.—Handle (1200VS)	23	524	Nut—Lock
4	06657	Screw—Phil. Pan Hd. (#8-32x1 1/8) (3)*	24	10244	Bearing Ball
5	07248	Screw—Torx Pan Hd. (#10-32x3/4) (8)*	25	12675	Support—Bearing & Bearing Assy. (Incl's. Fig's. 24 & 22)
6	35234	Washer (4)*	26	19739	Assy.—Spiral Bevel Gear & Pinion (1200DI, 1200VS, 1216DI)
7	18235	Switch (1200DI, 1203DI, 1216DI)		19740	Assy.—Spiral Bevel Gear & Pinion (1203DI)
	65582	Switch (1200VS)	28	09693	Nut—Lock (Torque to 55 Ft. Lbs. Min)
8	06662	Screw—Pan Hd. (#8-32x1/4) (2)*	29	63349	Assy.—Side Handle
9	35830	Cover—Inspection Hole	30	41332	Spring
10	04016	Bushing—Lead Insulating	31	54991	Pin—Spindle Lock (Incl's. 2 Pcs.)
11	07000	Screw—Soc. Hd. Cup Pt. Set (2)* (Torque to 9-10 in. lbs.)	34	10290	Bearing—Ball
12	63421	Assy.—Brush Holder W/Insulating Sleeve (2)*	35	28888	Armature (1200DI, 1200VS, 1203DI)
13	18031	Brush (Set of 2)		28647	Armature W/Bearings (1200DI, 1200VS, 1203DI)
14	18120	Cap—Brush Holder (2)*		04321	Fan
15	12674	Housing [Incl's. Fig's. 10, 11 (2), 12 (2), 5 (4), 8 (2)]		28936	Armature (1216DI)
16	04027	Sleeve—Field Insulating		28648	Armature W/Bearings (1216DI)
17	28889	Field (1200DI, 1203DI) [Incl's. 14733 (2), 06610 (2)]	36	10931	Bearing—Ball
	28886	Field (1216DI) [Incl's. 14733 (2)]	37	41333-1	Finger—Spring Washer
	65584	Field (1200VS) [Incl's. 14733 (2)]	38	65635	Retainer—Bearing
18	06610	Screw—Field (#8-32x2-1/2) (2)*	39	07098	Screw—Soc. Hd. (#10-32x3/4) (4)*
	14733	Washer (2)*	40	65579	Speed Control (1200VS)
19	65636	Case—Gear [Incl's. Fig's. 20, 30, 31, & 39 (4)]			

**Items Not Shown:**

- 20820 Plate—Name (1200DI)
- 20821 Plate—Name (1203DI)
- 20827 Plate—Name (1216DI)
- 65583 Plate—Name (1200VS)

\*Order Quantity As Needed

## SIOUX TOOLS INC.

2901 FLOYD BOULEVARD ■ SIOUX CITY, IOWA 51102 ■

This pdf incorporates the following model numbers:

1200DI, 1200VS, 1203DI, 1216DI