



NOTE: Parts are no longer available for this tool.

The manual will continue on the next page.



Parts List for

1200DI Electric Polisher (2000 RPM)

1203DI Electric Polisher (3000 RPM)

1216DI Electric Polisher (1500 RPM)

Serial "C"

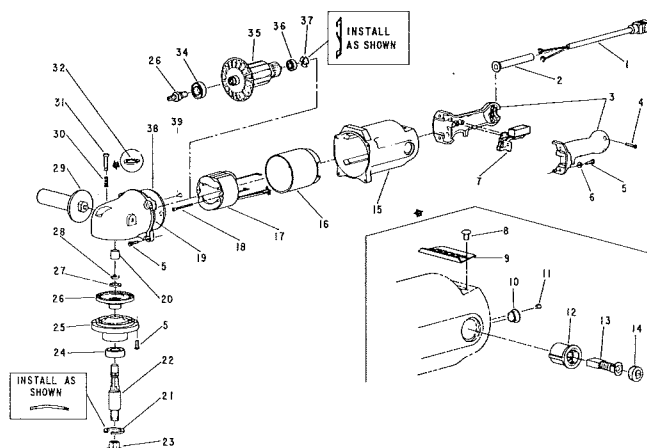


Figure	Part No.	Name	Figure	Part No.	Name
1	18442	Cord w/Terminals	19	12677	Case—Gear [Incl's. Fig's. 20, 30, 31, 32, & 5 (4)]
2	04303	Relief—Strain	20	10023	Bearing—Needle
3	53786	Assy.—Handle	21	54989	Spindle—Tool
4	06657	Screw—Phil. Pan Hd. (#8-32x1 1/8) (3)*	22	21819	Ring—Retaining (Bowed)
5	07248	Screw—Torx Pan Hd. (#10-32x3/4) (12)*	23	524	Nut—Lock
6	35234	Washer (4)*	24	10244	Bearing Ball
7	18235	Switch	25	12675	Support—Bearing & Bearing Assy. (Incl's. Fig's. 24 & 22)
8	06662	Screw—Pan Hd. (#8-32x1/4) (2)*	26	19739	Assy.—Spiral Bevel Gear & Pinion (1200) (1216DI)
9	35830	Cover—Inspection Hole	19740	Assy.—Spiral Bevel Gear & Pinion (1203)	
10	04016	Bushing—Lead Insulating	27	41331	Washer—Spring (Curved)
11	07000	Screw—Soc. Hd. Cup Pt. Set (2)*	28	21820	Ring—Retaining
12	63421	Assy.—Brush Holder W/Insulating Sleeve (2)*	29	63349	Assy.—Side Handle
13	18031	Brush (Set of 2)	30	41332	Spring
14	18120	Cap—Brush Holder (2)*	31	54991	Pin—Spindle Lock
15	12674	Housing [Incl's. Fig's. 10, 11 (2), 12 (2), 5 (8), 8 (2)]	32	21491	Ring—Retaining
16	04027	Sleeve—Field Insulating	34	10290	Bearing—Ball
17	28885	Field (1200DI, 1203DI)	35	28935	Armature (1200DI, 1203DI)
18	28886	Field (1216DI)	28647	Armature W/Bearing [Incl's. Fig's. 34 & 36] (1200DI, 1203DI)	
	06684	Screw—Field (#8-32x2 2-9/32) (2)* (1200DI, 1203DI)	04321	Fan	
	06610	Screw—Field (#8-32x2-1/2) (2)* (1216DI)	28936	Armature (1216DI)	
	14733	Washer	28648	Armature W/Bearings (1216DI)	
			36	10931	Bearing—Ball
			37	41333-1	Finger—Spring Washer
			38	35833	Plate
			39	07261	Screw—Flat Hd. (#10-24x1/2) (2)

Items Not Shown:
20820 Plate—Name (1200DI)
20821 Plate—Name (1203DI)
20827 Plate—Name (1216DI)

*Order Quantity As Needed

SIoux TOOLS INC.

2901 FLOYD BOULEVARD ■ SIOUX CITY, IOWA 51102 ■

PRINTED IN U.S.A.

This pdf incorporates the following model numbers:

1200DI, 1203DI, 1216DI