



NOTE: Parts are no longer available for this tool.

The manual will continue on the next page.



Parts List for

1200DI Electric Polisher (2000 RPM) 1203DI Electric Polisher (3000 RPM) 1216DI Electric Polisher (1500 RPM)

Form A805
Dated 9/86

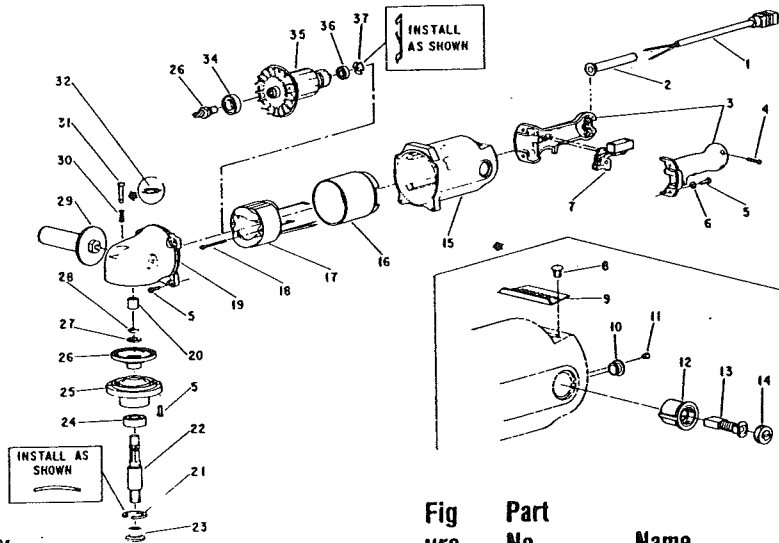


Fig ure	Part No.	Name	Fig ure	Part No.	Name
1	18442	Cord		14733	Washer
2	04303	Relief—Strain	19	12677	Case—Gear [Incl's. Fig. 20, 30, 31, 32, & 5 (4)]
3	53786	Assy.—Handle	20	10023	Bearing—Needle
4	06657	Screw—Phil. Pan Hd. (#8-32x1 1/8) (3)*	21	54989	Spindle—Tool
5	07248	Screw—Torx Pan Hd. (#10-32x3/4) (12)*	22	21819	Ring—Retaining (Bowed)
6	35234	Washer (4)*	23	524	Nut—Lock
7	18224	Switch	24	10244	Bearing Ball
8	06662	Screw—Pan Hd. (#8-32x1/4) (2)*	25	12675	Support—Bearing & Bearing Assy. (Incl's. Fig. 24 & 22)
9	35830	Cover—Inspection Hole	26	19739	Assy.—Spiral Bevel Gear & Pinion (1200) (1216DI)
10	04016	Bushing—Lead Insulating		19740	Assy.—Spiral Bevel Gear & Pinion (1203)
11	07000	Screw—Soc. Hd. Cup Pt. Set (2)*	27	41331	Washer—Spring (Curved)
12	63421	Assy.—Brush Holder W/Insulating Sleeve (2)*	28	21820	Ring—Retaining
13	18031	Brush (Set of 2)	29	63349	Assy.—Side Handle
14	18120	Cap—Brush Holder (2)*	30	41332	Spring
15	12674	Housing [Incl's. Fig's. 10, 11 (2), 12 (2) 5 (8), 8 (2)]	31	54991	Pin—Spindle Lock
16	04027	Sleeve—Field Insulating	32	21491	Ring—Retaining
17	28984	Field	34	10290	Bearing—Ball
	28984	Field (1200DI, 1203DI)	35	28983	Armature (1200DI, 1203DI)
	28707	Field (1216DI)		28989	Armature W/Bearing [Incls. Figs. 34 & 36] (1200DI, 1203DI)
18	06684	Screw—Field (#8-32x2 2-9/32) (2)* (1200DI, 1203DI)		04321	Fan
	06610	Screw—Field (#8-32 x 2-1/2) (2)* (1216DI)		28706	Armature (1216DI)
				28993	Armature W/Bearings (1216DI)
			36	10931	Bearing—Ball
			37	41333-1	Finger—Spring Washer

Items Not Shown:
20820 Plate—Name (1200DI) 20821 Plate—Name (1200DI)
20827 Plate—Name (1216DI)

*Order Quantity As Needed

SIoux TOOLS INC.

2901 FLOYD BOULEVARD ■ SIOUX CITY, IOWA 51102 ■

PRINTED IN U.S.A.

This pdf incorporates the following model numbers:

1200DI, 1200VS, 1203DI, 1216DI