



NOTE: Parts are no longer available for this tool.

The manual will continue on the next page.



PARTS LIST FOR

540 SANDER & 540C DIE GRINDER (20,000 RPM)

540S SANDER & 540SC DIE GRINDER (14,000 RPM)

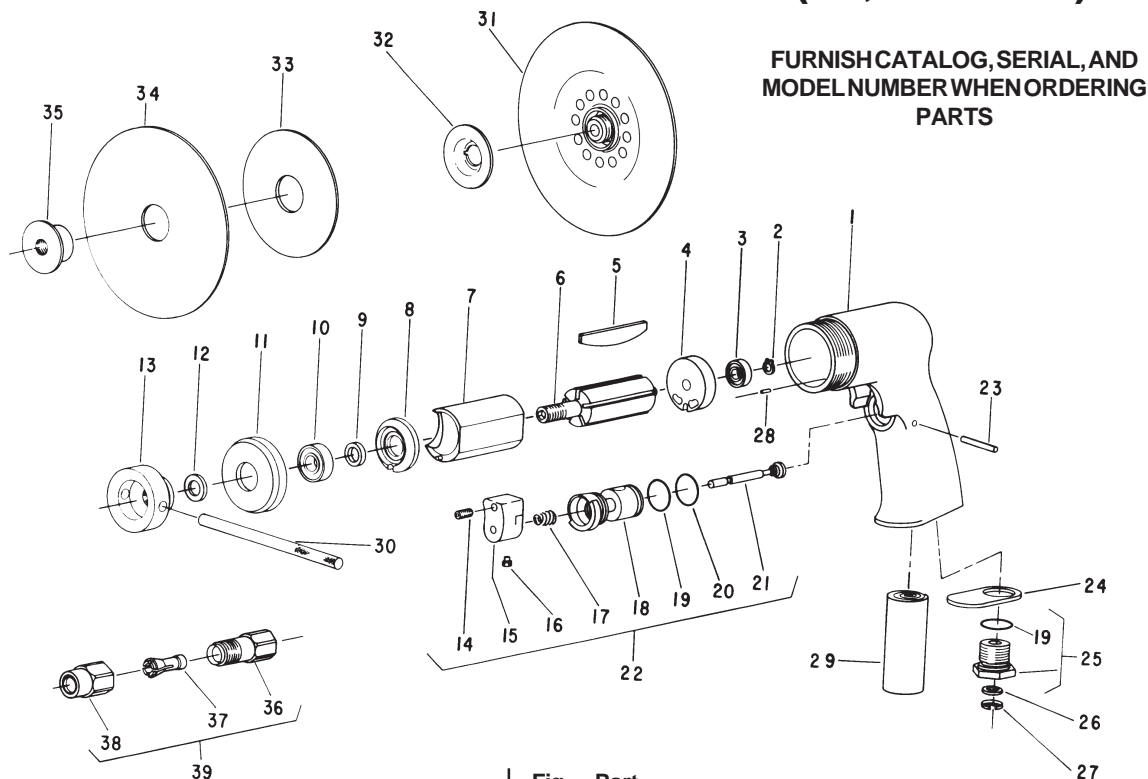


Fig. No.	Part No.	Description
1.	12773	Housing (Includes Name Plate)
2.	21491	Ring—Retainer
3.	10253	Bearing—Ball
4.	10552	EndPlate—Rear
5.	63192	Ass'y—Rotor Vane (Set of 5)
6.	64185	Rotor
7.	64057	Cylinder (540, 540C)
	65916	Cylinder (540S, 540SC)
8.	64059	End Plate—Front
9.	44488	Spacer—Rotor
10.	10257	Bearing—Ball
11.	64187	Ring—Lock
12.	44122	Spacer—Chuck
13.	64186	Hub—Backing (540, 540S)
14.	06459	Screw—Set (#8-32 x 1/2")
15.	12676	Trigger
16.	06458	Screw—Set (#8-32 x 3/16")
17.	21401	Spring
18.	11600	Body—Valve (Incl's. Fig's 19 & 20)
19.	14281	Ring—"O" (2)*
20.	14378	Ring—"O"
21.	54222	Valve
22.	63359	Ass'y—Trigger
23.	40157	Pin—Dowel (1/8 x 1 -1/8)
24.	35855	Screen—Exhaust
25.	54955	Adapter—Inlet
26.	30463	Screen

Fig. No.	Part No.	Description
27.	21541	Ring—Retainer
28.	30323	Pin—Roll (1/16 x 3/8)
29.	04057	Pad—Silencer
30.	54378	Lever—Hub (540, 540S)
31.	2344	Pad—Backing 18,000RPM Max [Includes (1) Fig. 32](Optional Equipment)(540S Only)
32.	563	Nut—Disc Retaining (Package of 6) (Optional Equipment)(540S Only)
33.	14118	Backing Disc 3" (540, 540S)
34.	14119	Backing Disc 4-1/2" (540, 540S)
	586	Package of (3) 3" & (3) 4-1/2" Backing Discs (540, 540S)
35.	64188	Nut—Disc Retaining (540, 540S)
36.	21096	Body—Collet (540C, 540SC)
37.	44440	Collet—1/4" (540C, 540SC)
	44522	Collet—1/8" (540C, 540SC)
	44523	Collet—3/16" (540C, 540SC)
38.	21097	Nut—Collet (540C, 540SC)
39.	43340	Chuck—1/4" Complete Collet (540C, 540SC)
	43342	Chuck—1/8" Complete Collet (540C, 540SC)
	43341	Chuck—3/16" Complete Collet (540C, 540SC)

Items Not Shown

30506	Wrench—3/16" hex
30465	Wrench—9/16" (540C, 540SC)
30466	Wrench—11/16" (540C, 540SC)
63359	Name Plate
09953	Screw—Drive (2 x 3/16)(2)*

*Order Quantity As Required

SIouxTM
TOOLS INC.

This pdf incorporates the following model numbers:

540, 540C, 540S, 540SC