



**NOTE: Parts are no longer available for this tool.**

**The manual will continue on the next page.**



# SUPPLEMENTARY PARTS LIST for 8400, O-2338, P-2338, S-2338 HAMMER DRILLS

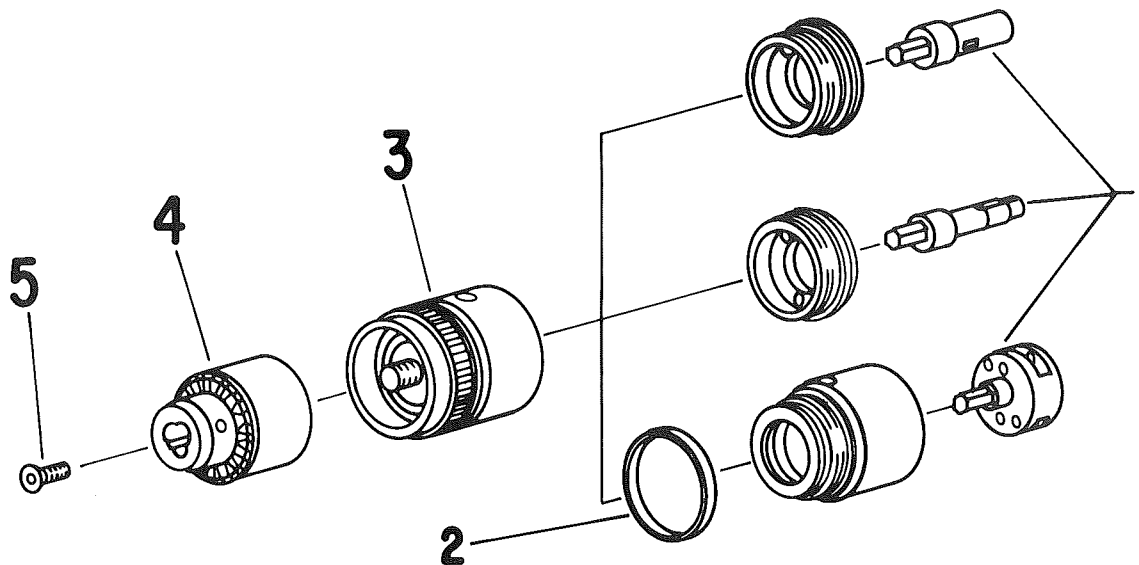


Fig- ure	Part No.	Name
1	54921	Output Shaft (8400) [Serial "A"]
	64102	Output Shaft (8400) [Serial "B"]
3	54923	(S2338)
	54924	(O & P2338)
2	54925	Spacer ("O & P" only)
3	63323	Assy.—Hammer Case*
4	21116	Chuck
	30002	Key
5	57250	Screw—(L.H.)

\*Lube every 25 Hrs. with 1/8 oz. SIOUX #1232 Grease

**SIOUX  
TOOLS INC.**

2901 FLOYD BOULEVARD ■ SIOUX CITY, IOWA 51102 ■

PRINTED IN U.S.A.

This pdf incorporates the following model numbers:

8400, O-2338, P-2338, S-2338