



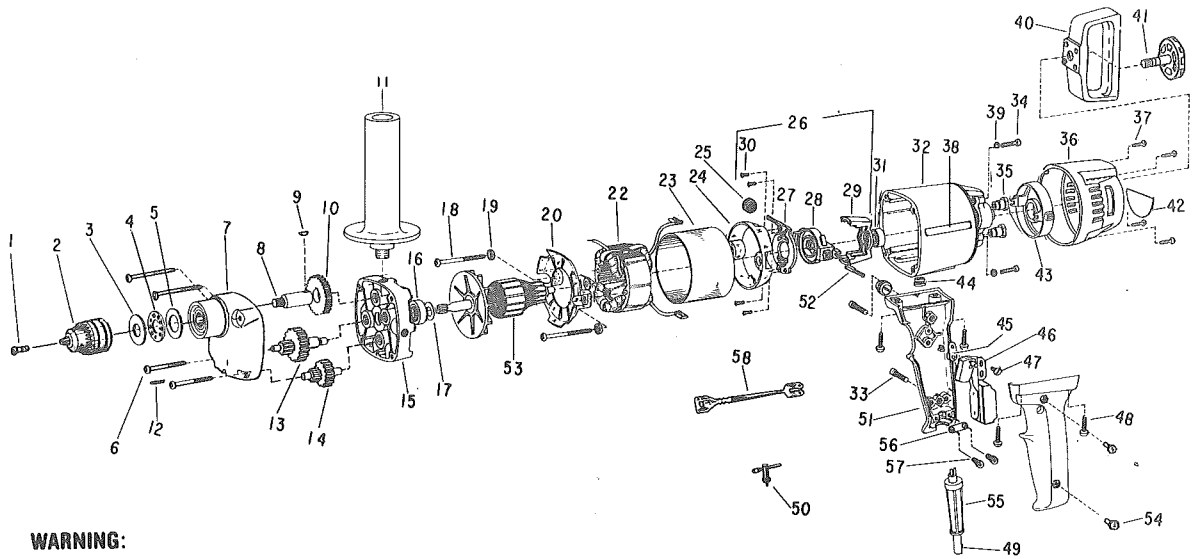
NOTE: Parts are no longer available for this tool.

The manual will continue on the next page.



8120 1/2" ELECTRIC DRILL

Form No. A785
Dated 9/84



WARNING:

Electrical repairs should be attempted only by authorized trained repairmen. Consult your service center listing for your nearest SIoux Authorized Service Center.

Fig- ure	Part No.	Name	Fig- ure	Part No.	Name
1	08311	Screw Chuck	28	28172	Brush Holder Ring
2	21081	Chuck	29	28170	Support
3	10549	Ball Race—Outer	30	06125	Screw (4)*
4	63338	Ball—Retainer Assy.	31	10931	Ball—Bearing
5	10550	Ball Race—Inner	32	12664	Frame
6	07246	Screw (4)*	33	06596	Screw (2)*
7	12673	Gear Case Assy.	34	06595	Screw (2)*
	10441	Sleeve Bearing	35	04009	Insulating Bushing (2)*
	10440	Sleeve Bearing (2)*	36	04013	Back Cap
8	22694	Spindle	37	07244	Screw (4)
9	40148	Key	38	20809	Decal Strip (2)*
10	19264	Spindle—Gear	39	09836	Washer—Lock (2)*
11	63348	Side Handle	40	04012	Spade Handle
12	40145	Roll Pin	41	04010	Knob
13	19351	2nd. Intermediate Gear Assy.	42	20578	Name Plate
14	19350	1st. Intermediate Gear Assy.	43	28171	Reversing—Ring
15	63357	Separator Assy.	44	04016	Lead Insulating Bushing
	10440	Sleeve—Bushing (2)*	45	04008	Switch—Spacer
16	10210	Ball Bearing	46	18224	Switch
17	35730	Spacer	47	06660	Screw
18	07243	Screw (2)*	48	07245	Screw (2)*
19	09724	Lock Washer (2)*	49	18467	Cord
20	04019	Baffle Assy.	50	30429	Chuck—Key
	54929	Bushing (2)*	51	04022	Handle—Assy.
22	28964	Field		13321	Inserts (2)*
23	05056	Insulating Sleeve	52	18023	Brush—Motor (Pair)
24	04002	Frame Insulator	53	28966	Armature
25	18109	Brush Holder Cap (2)*	54	54930	Nut (2)*
26	28165	Brush Holder Ring Assy.	55	04303	Cord—Guard
27	28169	Support Cover Assy.	56	35726	Cord—Clamp
			57	06241	Screw (2)
			58	04305	Key—Holder

SIoux *Order Quantity As Needed
TOOLS INC.

2901 FLOYD BOULEVARD ■ SIOUX CITY, IOWA 51102 ■

PRINTED IN U.S.A.

This pdf incorporates the following model numbers:

8120