



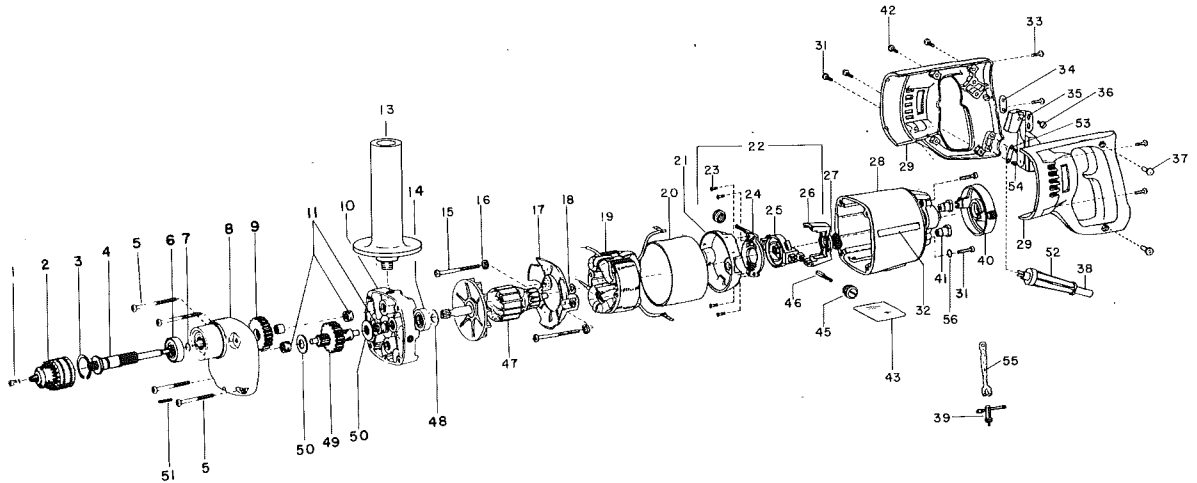
NOTE: Parts are no longer available for this tool.

The manual will continue on the next page.



8040 3/8" ELECTRIC DRILL REV.

Form No. A782
Dated 10/93



WARNING:

Electrical repairs should be attempted only by authorized trained repairmen. Consult your service center listing for your nearest SIOUX Authorized Service Center.

Fig-ure	Part No.	Name	Fig-ure	Part No.	Name
1	57250R	Screw (M5 x .8 x 20 L.H.)	29	04021	Handle Assembly
2	21133	Chuck—3/8" Cap.		13321	Inserts (2)*
3	21815	Retaining Ring	31	06595	Screw (4)*
4	22690	Spindle	32	20809	Decal—strip (2)*
5	07246	Screws (4)*	33	07244	Screw (4)*
6	10123	Ball Bearing	34	04008	Spacer Switch
7	21816	Retaining Ring	35	18224	Switch
8	12670	Gear Case	36	06660	Screw
	10089	Needle Bearing	37	54930	Nuts (2)*
9	19261	Spindle Gear	38	18467	Cord
10	63344	Seperator Assy.	39	30002	Key
11	10089	Needle Bearing (2)*	40	28195	Ring
13	63348	Side Handle	41	04009	Bushing (2)*
14	10210	Bearing	42	06596	Screw (2)*
15	07243	Screw (2)*	43	20576	Name Plate
16	09724	Washer—Lock (2)*	45	18109	Brush Holder Cap (2)*
17	04019	Baffle Assembly	46	18023	Brush—Motor (Pair)
	54929	Baffle Bushing (2)*	47	28966	Armature
19	28964	Field	48	35730	Spacer
20	05056	Sleeve	49	19353	Gear Int. Assy.
21	04002	Insulator	50	35738	Fibre Washer (2)*
22	28165	Brush Holder Ring Assembly	51	40145	Roll Pin
23	06125	Screw (4)*	52	04303	Cord Guard
24	28169	Support Cover	53	35726	Cord Clamp
25	28172	Brush Holder Ring	54	06241	Screw (2)*
26	28170	Support	55	04305	Key Holder
27	10931	Bearing	56	09836	Washer (2)*
28	12661	Frame			

*Order Quantity As Needed

**SIOUX
TOOLS INC.**

2901 FLOYD BOULEVARD ■ SIOUX CITY, IOWA 51102 ■

PRINTED IN U.S.A.

This pdf incorporates the following model numbers:

8040