



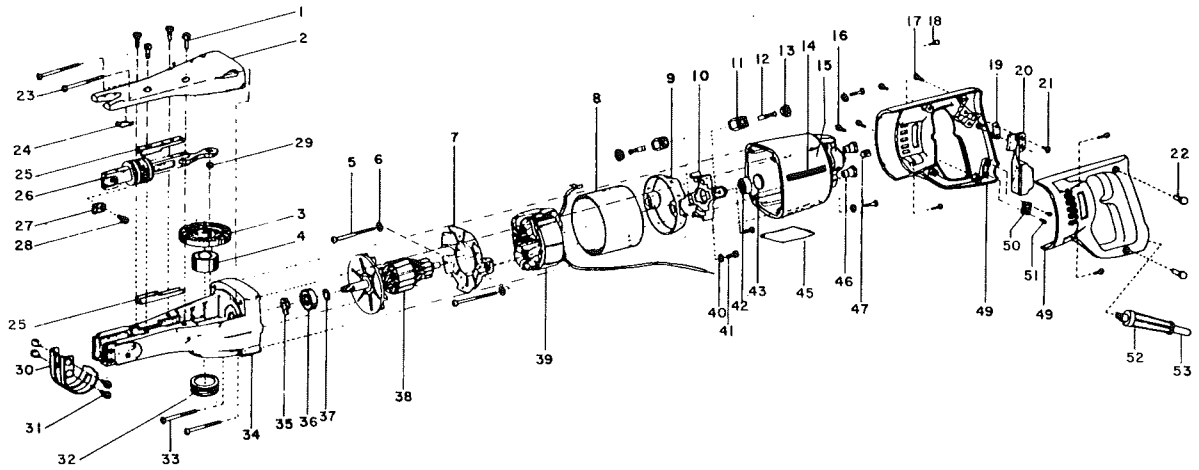
**NOTE: Parts are no longer available for this tool.**

**The manual will continue on the next page.**



# 8300 SIOUX-PER SAW

Form No. A781  
Dated 6/90



### WARNING:

Electrical repairs should be attempted only by authorized trained repairmen. Consult your service center listing for your nearest SIOUX Authorized Service Center.

Fig- ure	Part No.	Name	Fig- ure	Part No.	Name
1	07148	Screw (4)*	31	06449	Macine Screw (4)*
2		Piston Housing Cover	32	54926	Adjustable Screw
3	63333	Bevel Gear	33	07147	Screw (2)*
4	10276	Ball Bearing	34	63350	Piston Housing (Includes Fig. 2)
5	07243	Screw (2)*	35	40144	Spring—Loading
6	09724	Lock Washer (2)*	36	10210	Ball Bearing
7	04019	Baffle Assy.	37	35730	Washer
	54929	Bushing (2)*	38	28965	Armature
8	05056	Insulating Sleeve	39	28964	Field
9	04002	Frame Insulator	40	09836	Lock Washer (2)
10	04017	Brush Holder Ring	41	06210	Screw (2)*
11	18082	Brush Holder (2)*		09706	Lock Washer (2)
12	18023	Brush—Motor (Pair)	42	10931	Ball Bearing
13	18122	Brush Holder Cap (2)*	43	35732	Thrust Washer
14	20809	Decal Strip (2)*	45	20573	Name Plate
15	12661	Motor Housing	46	04009	Insulating Bushing (2)*
16	06595	Screw (4)*	47	08574	Set Screw
17	06596	Screw (2)*	49	04020	Handle Assy.
18	07244	Screw (4)*		13321	Inserts (2)*
19	04008	Switch Spacer	50	35726	Cord Clamp
20	18223	Switch	51	06241	Screw (2)*
21	06660	Screw	52	04303	Protector—Cord
22	54930	Nut (2)*	53	18467	Cord
23	07146	Screw (2)*			
24	13319	Bronze Bearing			
25	13320	Bronze Bearing (2)*			
26	63332	Piston Assembly			
27	35731	Saw Blade Clamp			
28	07087	Cap Screw			
29	10041	Needle Bearing			
30	35727	Saw Guide			

### ITEMS NOT SHOWN

04004	Boot
331	Carring Case
30096	Hex Wrench
04302	Key Holder

\*Order Quantity As Needed

## SIoux TOOLS INC.

2901 FLOYD BOULEVARD ■ SIOUX CITY, IOWA 51102 ■

PRINTED IN U.S.A.



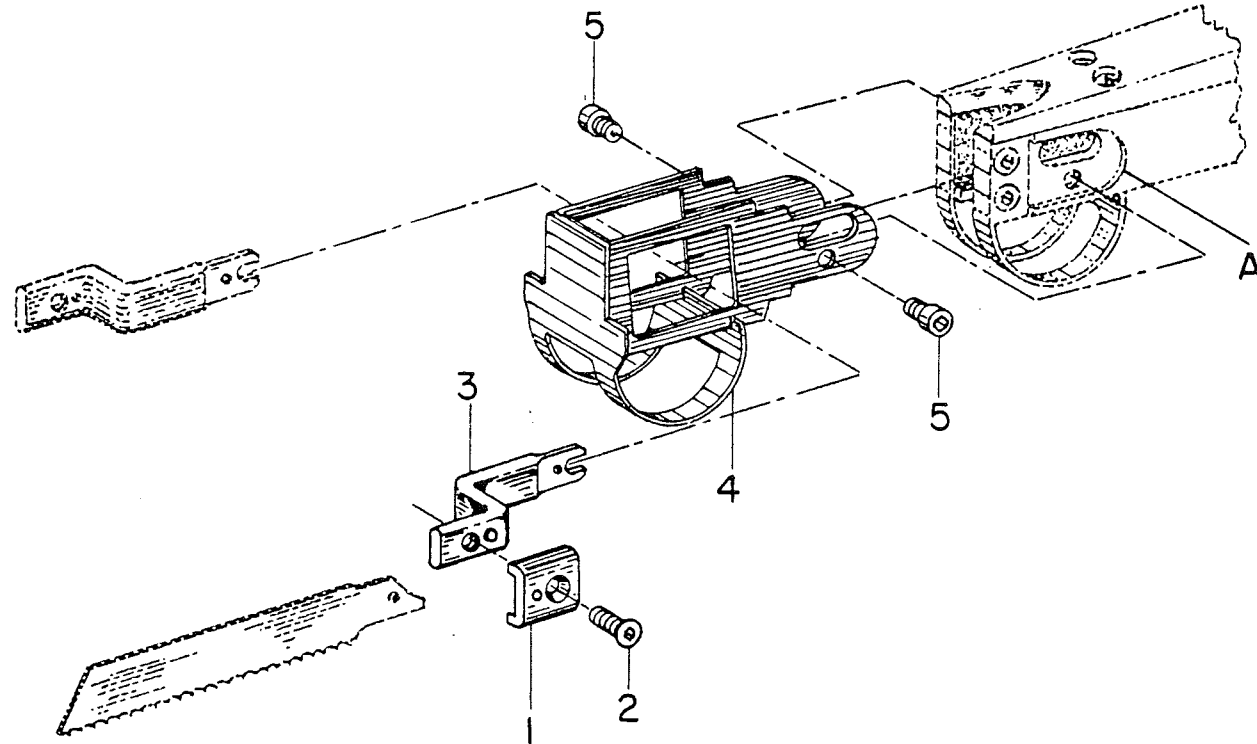
# SIoux TOOLS INC.

2901 FLOYD BOULEVARD ■ SIOUX CITY, IOWA 51102 ■

## INSTRUCTION SHEET

### No. 8305 FLUSH—CUT ATTACHMENT

To Fit Reciprocating Sioux-Per Saw No. 8300



**INSTALLATION**— Slip saw guide (Key #4) into slots “A” provided on sides of Super Saw. Fasten saw guide to Super Saw with 2 screws (Key #5). The offset arm (Key #3) is fitted into the Super Saw in the same manner as a saw blade. Loosen saw blade clamp screw in Super Saw sufficiently to allow offset arm to be inserted freely under blade clamp. Make certain offset arm is all the way in and that the projection on the Super Saw blade clamp engages the hole in the tang of the offset arm before tightening blade clamp screw. Offset arm is reversible for right or left hand cuts. Insert saw blade between offset arm and blade clamp (Key #1). Position blade so that projection on blade clamp engages hole in tang of blade, providing positive locking. Secure blade by tightening flat head screw (Key #2).

#### Parts List For No. 8305 Flush Cut Attachment

Furnish Catalog No. When Ordering Parts

Figure	Parts No.	Name
1	54947	Clamp—Blade
2	09089	Screw—Flat Hd. (#10-32x1/2)
3	54948	Arm—Offset
4	63342	Guide—Saw
5	06499	Screw—Hex Skt. Cap (#8-32x3/8) (2)*
	30417	Wrench, Allen 9/64"

\*Order Quantity As Needed

This pdf incorporates the following model numbers:

8300