



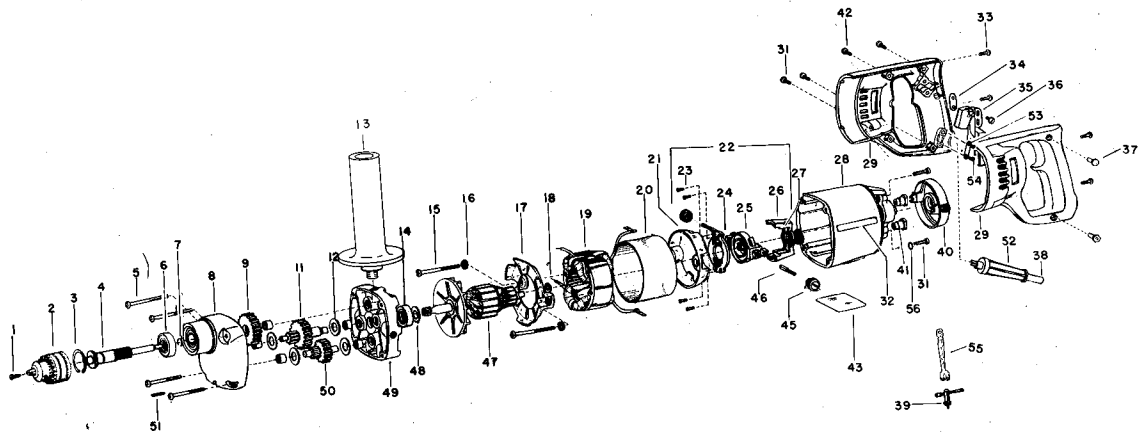
**NOTE: Parts are no longer available for this tool.**

**The manual will continue on the next page.**



# 8100 1/2" ELECTRIC DRILL

# 8130 1/2" ELECTRIC ANGLE DRILL



**WARNING:**

Electrical repairs should be attempted only by authorized trained repairmen. Consult your service center listing for your nearest SIOUX Authorized Service Center.

Figure	Part No.	Name	Figure	Part No.	Name
1	08310	Screw	31	06595	Screw (4)*
2	21137	Chuck	32	20809	Decal—Strip (2)*
3	21815	Ring	33	07244	Screw (4)*
4	22691	Spindle	34	04008	Spacer—Switch
5	07246	Screw (4)*	35	18224	Switch
6	10123	Bearing	36	06660	Screw
7	21816	Ring	37	54930	Nut (2)*
8	12665	Gear Case	38	18467	Cord
	10089	Needle Bearing (2)*	39	30011	Key
9	19254	Spindle Gear	40	28171	Ring
11	19351	2nd Inter. Gear Assy.	41	04009	Bushing (2)*
12	35738	Washer (4)*	42	06596	Screw (2)*
13	63348	Side Handle	43	20574	Nameplate (8100)
14	10210	Bearing		20575	Nameplate (8130)
15	07243	Screw (2)*	45	18109	Brush Holder Cap (2)*
16	09724	Washer (2)*	46	18023	Brush—Motor (Pair)
17	04019	Baffle Assy.	47	28966	Armature
	54929	Baffle Bushing (2)*	48	35730	Spacer
19	28964	Field	49	63345	Separator Assy.
20	05056	Sleeve		10089	Needle Bearing (3)*
21	04002	Insulator	50	19350	1st Inter. Gear Assy.
22	28165	Brush Holder Ring Assy.	51	40145	Pin
23	06125	Screw (4)*	52	04303	Protector—Cord
24	28169	Support Cover	53	35726	Cord Clamp
25	28172	Brush Holder Ring	54	06241	Screw (2)*
26	28170	Support	55	04305	Key Holder
27	10931	Bearing	56	09836	Washer (2)*
28	12661	Motor Housing			
29	04021	Handle Assy.			
	13321	Inserts (2)*			

\*Order Quantity As Needed

**SIOUX  
TOOLS INC.**

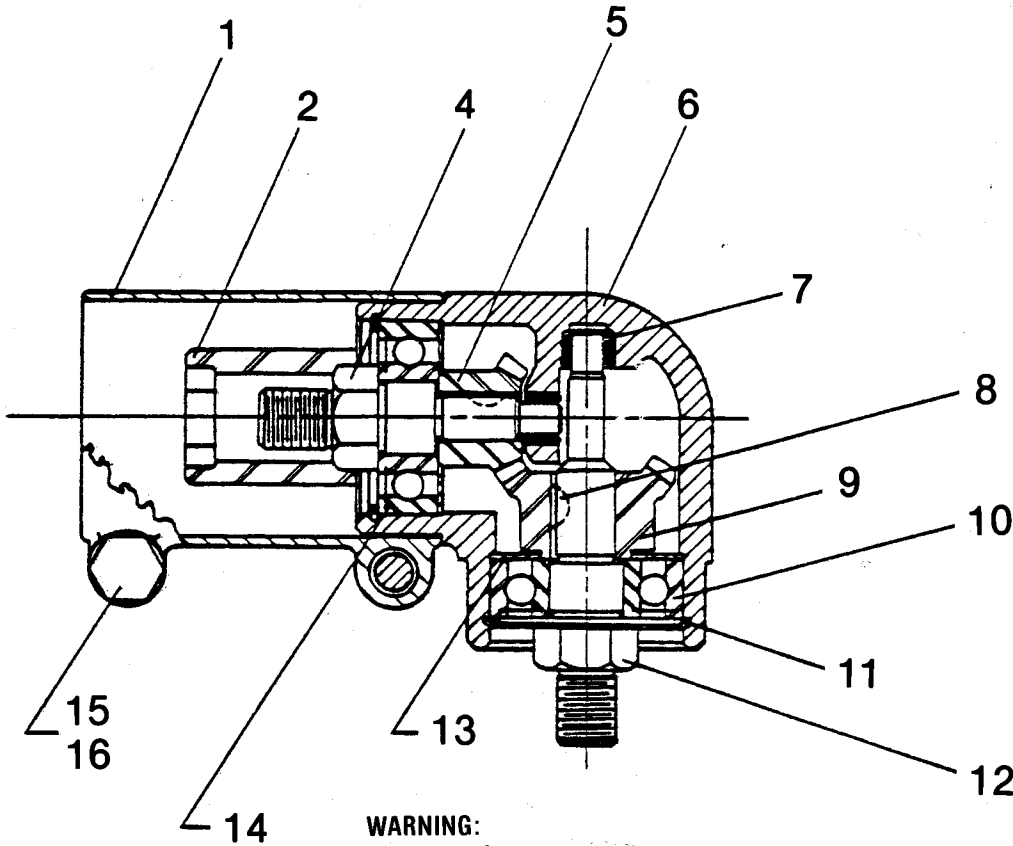
2901 FLOYD BOULEVARD ■ SIOUX CITY, IOWA 51102 ■

PRINTED IN U.S.A.



# INSTRUCTION MANUAL AND PARTS LIST

## NO. 2360 TWO SPEED ANGLE DRIVE



**WARNING:**

Electrical repairs should be attempted only by authorized trained repairmen: Consult your service center listing for your nearest SIOUX Authorized Service Center.

Figure No.	Part No.	Name
1	12444	Adapter
2	54944	Driver Adapter
4	22692	Spindle
5	19262	Bevel Gear
6	12671	Housing
7	10041	Needle Bearing (2)*
8	40148	Woodruff Key (2)*
9	19263	Bevel Gear
10	10937	Ball Bearing

Figure No.	Part No.	Name
11	21492	Retaining Ring (2)*
12	22693	Spindle
13	35734	Washer (2)*
14	10937	Ball Bearing
15	09104	Screw (2)*
16	35730	Washer (2)*

ITEMS NOT SHOWN

- 35735 Wrench
- 54945 Knock Out Pin
- 30206 Hex Key—Allen Wrench (3/16")
- 54990 Nut—Drive (used on Air Tools)

\*Order Quantity As Needed

This pdf incorporates the following model numbers:

8100, 8130