



NOTE: Parts are no longer available for this tool.

The manual will continue on the next page.



**SIoux
TOOLS INC.**

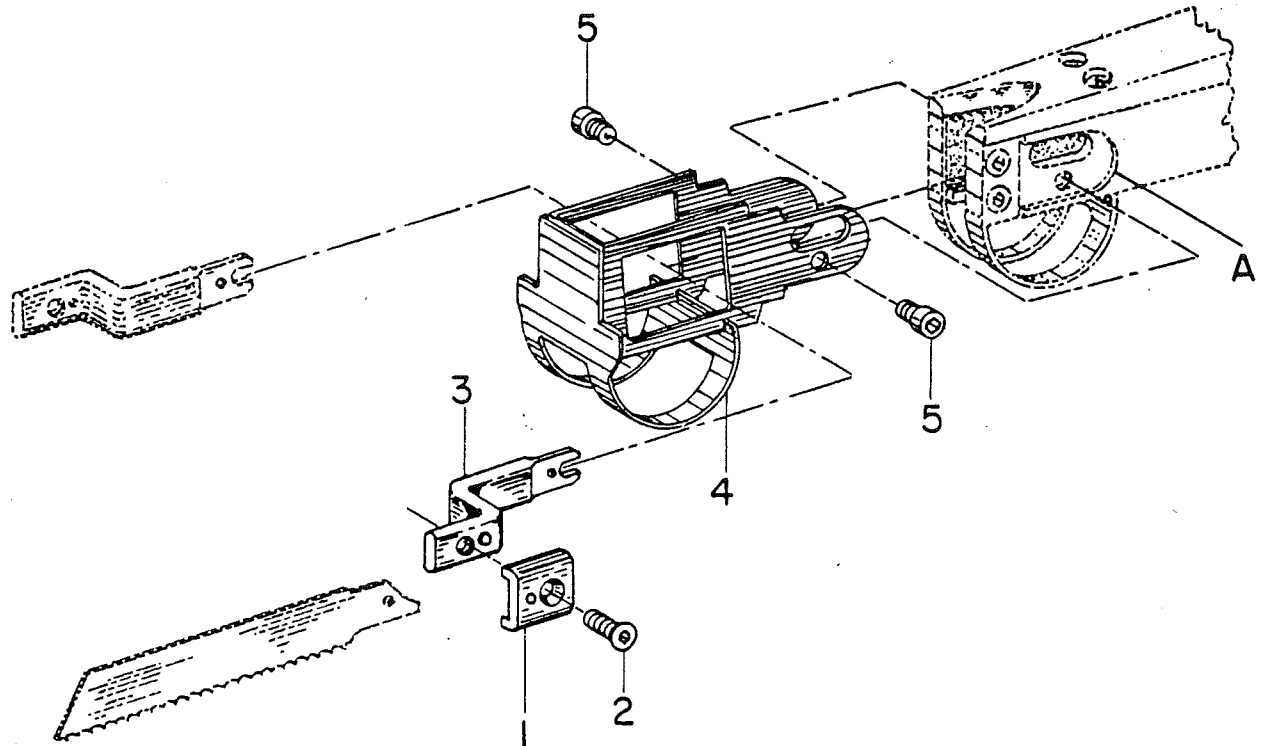
2901 FLOYD BOULEVARD ■ SIOUX CITY, IOWA 51102 ■

Form No. A776
Dated 12/83

INSTRUCTION SHEET

No. 8305 FLUSH—CUT ATTACHMENT

To Fit Reciprocating Sioux-Per Saw No. 8300



INSTALLATION— Slip saw guide (Key #4) into slots "A" provided on sides of Super Saw. Fasten saw guide to Super Saw with 2 screws (Key #5). The offset arm (Key #3) is fitted into the Super Saw in the same manner as a saw blade. Loosen saw blade clamp screw in Super Saw sufficiently to allow offset arm to be inserted freely under blade clamp. Make certain offset arm is all the way in and that the projection on the Super Saw blade clamp engages the hole in the tang of the offset arm before tightening blade clamp screw. Offset arm is reversible for right or left hand cuts. Insert saw blade between offset arm and blade clamp (Key #1). Position blade so that projection on blade clamp engages hole in tang of blade, providing positive locking. Secure blade by tightening flat head screw (Key #2).

Parts List For No. 8305 Flush Cut Attachment

Furnish Catalog No. When Ordering Parts

Fig- ure	Parts No.	Name
1	54947	Clamp—Blade
2	09089	Screw—Flat Hd. (#10-32x1/2)
3	54948	Arm—Offset
4	63342	Guide—Saw
5	06499	Screw—Hex Skt. Cap (#8-32x3/8) (2)*
	30417	Wrench, Allen 9/64"

*Order Quantity As Needed

This pdf incorporates the following model numbers:

8305, 8300