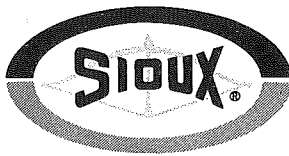




NOTE: Parts are no longer available for this tool.

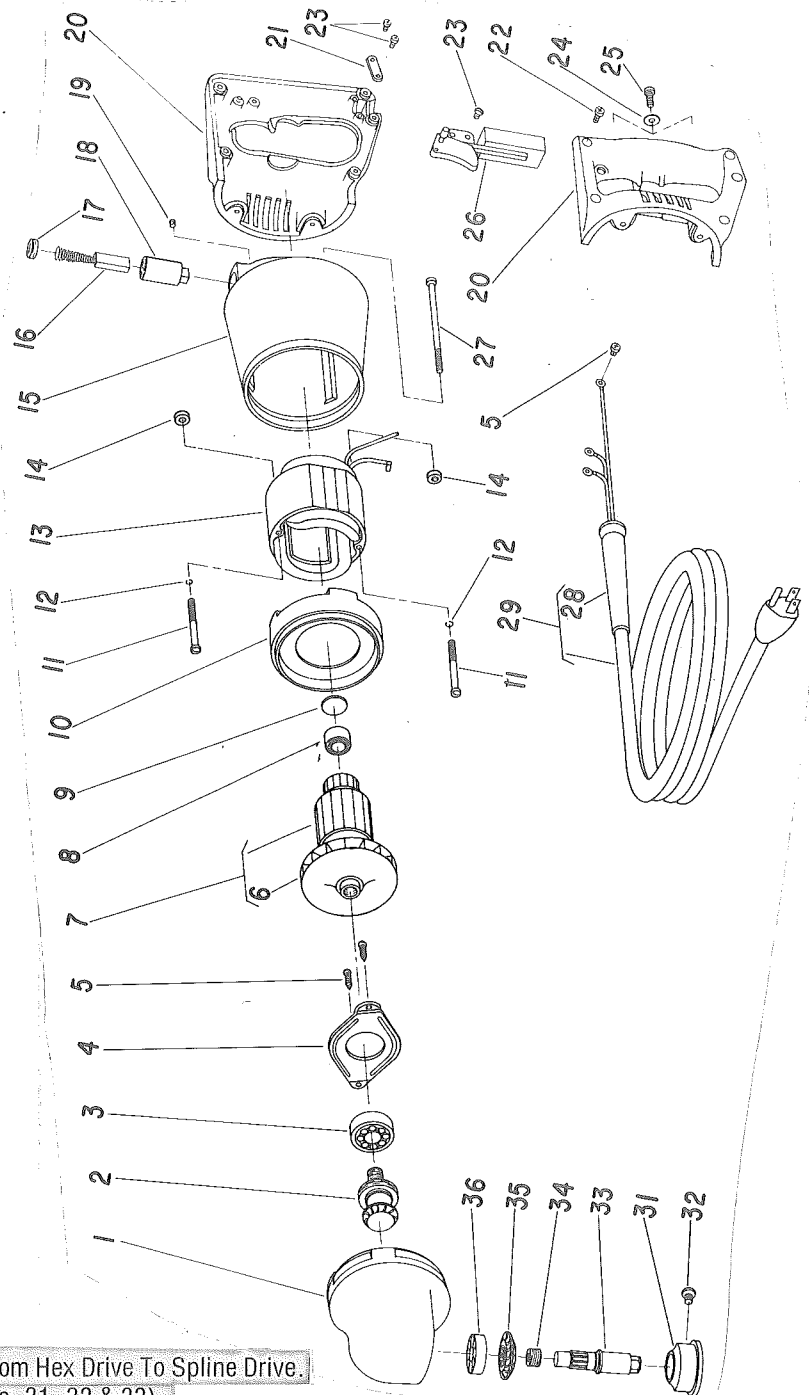
The manual will continue on the next page.



Parts List for No. 1712G Sioux Heavy Duty Driver

When Ordering Parts, Specify Catalog Number and Serial Number

Fig-ure	Part No.	Name
1	12002	Case—Gear
2	19607	Assy.—Pinion & Slinger
3	10127	Bearing—Ball
4	25027	Lock—Bearing
5	07204	Screw #10 (3)
6	21565	Fan
7	28517	Armature—With Fan
	16774	Armature—With Fan & Brgs.
8	10190	Bearing—Ball
9	35232	Slug—Bearing Knock-Out
10	12063	Extension—Housing
11	07137	Screw #10 (2)
12	09724	Washer—Lock #10 (2)
13	28516	Field—Motor
14	34228	Spacer—Field (2)
15	12339	Housing (Includes Fig's. 18, 19)
16	18004	Brush (2)
17	18120	Cap—Brush Holder (2)
18	18076	Holder—Brush (2)
19	07000	Screw—Set #10 (2)
20	53033	Assy.—Handle
21	35233	Strap
22	06370	Screw—#6 (5)
23	06371	Screw—#6 (3)
24	35234	Washer (4)
25	07223	Screw #10 (4)
26	18204G	Switch
27	07126	Screw #10 (4)
28	04219	Relief—Strain
29	18376G	Assy.—Cord & Terminals
31	23259	Assy.—Bearing Support (1712)
	23694	Assy.—Bearing Support (1712-S)
32	08279	Screw 1/4"
*33	22540	Spindle—Tool (1712)
	22916	Spindle—Tool (1712-S)
34	21214	Spring—Tension
35	19058	Gear—Spiral Bevel
36	10113	Bearing—Ball
	20231	Plate—Name (1712)
	20057	Plate—Name (1712-S)
	09954	Screw (2)



* 23716 Change Over Kit From Hex Drive To Spline Drive.
(Includes Fig's. 31, 32 & 33)

SIoux TOOLS INC.

2901 FLOYD BOULEVARD ■ SIOUX CITY, IOWA 51102 ■

PRINTED IN U.S.A.

This pdf incorporates the following model numbers:

1712G