



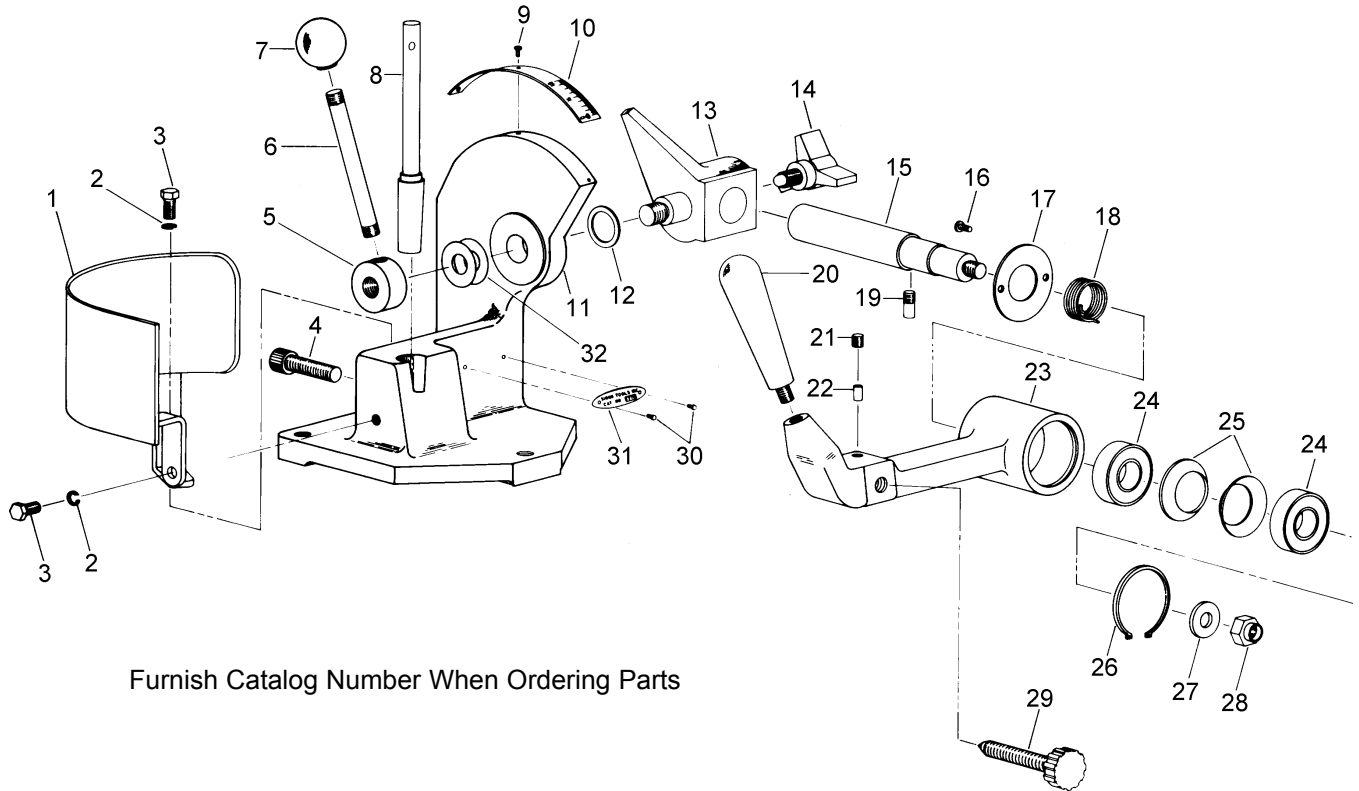
NOTE: Parts are no longer available for this tool.

The manual will continue on the next page.



PARTS LIST FOR 1716, 1716KW, 1716-3 DRESSING TOOL

Form A770
Date 12-95



Furnish Catalog Number When Ordering Parts

Fig. No.	Part No.	Description
1.	63370	Ass'y—Guard
2.	09748	Washer—Lock (2)*
3.	08245	Screw—Hex Hd. Cap 1/4-20 x 1/2" (2)*
4.	09086	Screw—Soc. Hd. Cap 3/8-24
5.	54973	Nut—Handle
6.	54971	Handle—Angle Selector
7.	04030	Knob—Angle Selector Handle
8.	1718A	Stem—#2 Pilot (1716)
	1718AKW	Stem—Pilot (1716KW)
	1718B	Stem—#3 Pilot (1716-3)
9.	09953	Screw—Drive 2 x 3/16" (3)*
10.	40162	Plate—Quadrant
11.	11465	Base (Includes. Fig. 9, 10, 30 & 31)
12.	41330	Spring—Wave Washer
13.	11467	Angle—Selector
14.	04031	Knob—Slide Adjustment
15.	54970	Shaft—Dressing Arm
16.	06325	Screw—Phil. Pan Hd. #6-32 x 5/16" (2)*

Fig. No.	Part No.	Description
17.	35753	Cover—Dressing Arm
18.	41329	Spring—Dressing Arm
19.	54977	Stud
20.	04032	Handle—Dressing Arm
21.	08001	Screw—Soc. Hd. Cup Pt. Set 1/4-20 x 1/4
22.	04253	Slug—Friction
23.	11466	Arm—Dressing
24.	10244	Bearing—Ball (2)*
25.	35751	Washer (2)*
26.	21818	Ring—Retaining
27.	35752	Washer
28.	09584	Nut—Elastic Stop 3/8-24
29.	1715	Ass'y—Diamond Adjusting Screw
30.	09954	Screw—Drive
31.	20240R	Plate—Name
32.	35765	Washer—Spacer (Order As Required)

*Order Quantity As Required

SIoux TOOLS INC.

2901 FLOYD BOULEVARD ■ PO BOX 507 ■ SIOUX CITY, IOWA 51102-0507 ■

Printed In U.S.A.

This pdf incorporates the following model numbers:

1716, 1716KW, 1716-3