



**NOTE: Parts are no longer available for this tool.**

**The manual will continue on the next page.**

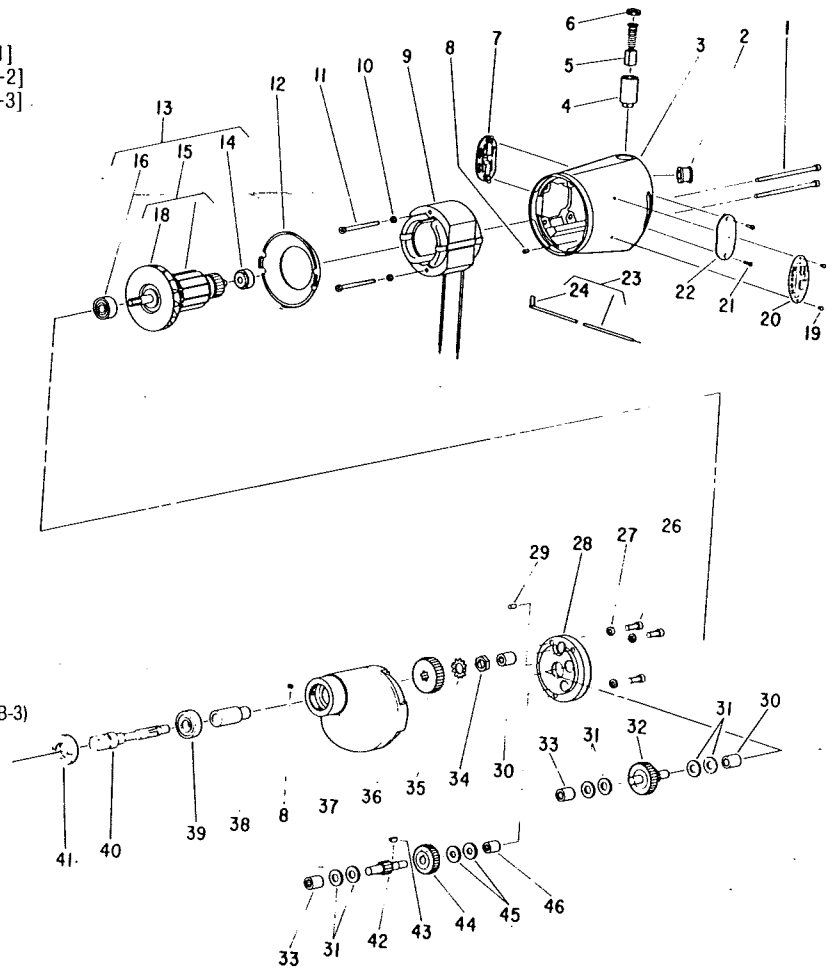


# Parts List for 1510 SPB G.E. 275A6815

Form No. A768  
Dated 9/85

When Ordering Parts, Specify Voltage, also Serial & Unit  
Number for Which the Parts are Wanted

Figure	Part No.	Name
1	07129	Screw #10-24x3-3/4 (4)*
	28405-036	Sleeve Insulation (4)*
2	14208	Grommet—Rubber
3	12447	Housing (Incl's. Figs. 2,4,8)
4	18081	Holder—Brush (2)*
5	18031	Brush (Set of 2) (48V) [1510 SPB-1]
	18025	Brush (Set of 2) (115V) [1510 SPB-2] (230V) [1510 SPB-3]
6	18120	Cap—Brush Holder (2)*
7	23000	Cap—Inspection Hole (Open)
8	07000	Screw—Set #10-24x3/16 (3)*
9	28705-48V.	Field—Motor (48V.) [1510SPB-1]
	28705	Field—Motor (115V.) [1510SPB-2]
	28705J	Field—Motor (230V.) [1510SPB-3]
10	09724	Washer—Lock #10 (2)*
11	07117	Screw—#10-24x1-3/4 (2)*
12	25044	Plate—Baffle
13	16863-48V.	Ass'y.—Arm., Fan & Brigs. (48V.) [1510SPB-1]
	16863	Ass'y.—Arm., Fan & Brigs. (115V.) [1510SPB-2]
	16863J	Ass'y.—Arm., Fan & Brigs. (230V.) [1510SPB-3]
14	10931	Bearing—Ball
15	28704-48V.	Ass'y.—Arm. & Fan (48V.) [1510SPB-1]
	28704	Ass'y.—Arm. & Fan (115V.) [1510SPB-2]
	28704J	Ass'y.—Arm. & Fan (230V.) [1510SPB-3]
16	10289	Bearing—Ball
18	21569A	Fan
19	09954	Screw—Drive (2)*
20	20583-1	Plate—Name [1510SPB-1]
	20583-2	Plate—Name [1510SPB-2]
	20583-3	Plate—Name [1510SPB-3]
21	06090	Screw #4x1/2 (4)*
22	23009	Cap—Inspection Hole (Closed)
23	18862	Wire—Lead (1510 SPB-2, 1510 SPB-3)
	28875	Wire—Lead (1510 SPB-1)
24	18860	Clip—Terminal (2)*
26	08134	Screw—Sp. 1/4-20 (3)*
27	09748	Washer—Lock 1/4 (3)*
28	12429	Cover—Gear Case (Incls. (1) Fig. 30 & 46)
29	24009	Pin
30	10003	Bearing—Needle (2)*
31	25053	Washer—Thrust (6)*
32	19211	Gear—2nd Compound Cluster
33	10004	Bearing—Needle (2)*
34	24038	Nut—Tool Spindle
35	25055	Washer—Lock
36	19210	Gear—Tool Spindle
37	12036A	Case—Gear
38	44770	Sleeve—Tool Spindle
39	10196	Bearing—Ball
40	22654	Spindle—Tool (Square)
41	23001	Seal—Oil
42	19441	Pinion—1st Compound
43	30010	Key—Woodruff
44	19234	Gear—1st Compound
45	25054	Washer (2)
46	10002	Bearing—Needle



\*Order Quantity As Needed

## SIoux TOOLS INC.

2901 FLOYD BOULEVARD ■ SIOUX CITY, IOWA 51102 ■

This pdf incorporates the following model numbers:

1510, 275A6815