



**NOTE: Parts are no longer available for this tool.**

**The manual will continue on the next page.**



# INSTRUCTION for 1450HPX REMOTE EXHAUST SERIES

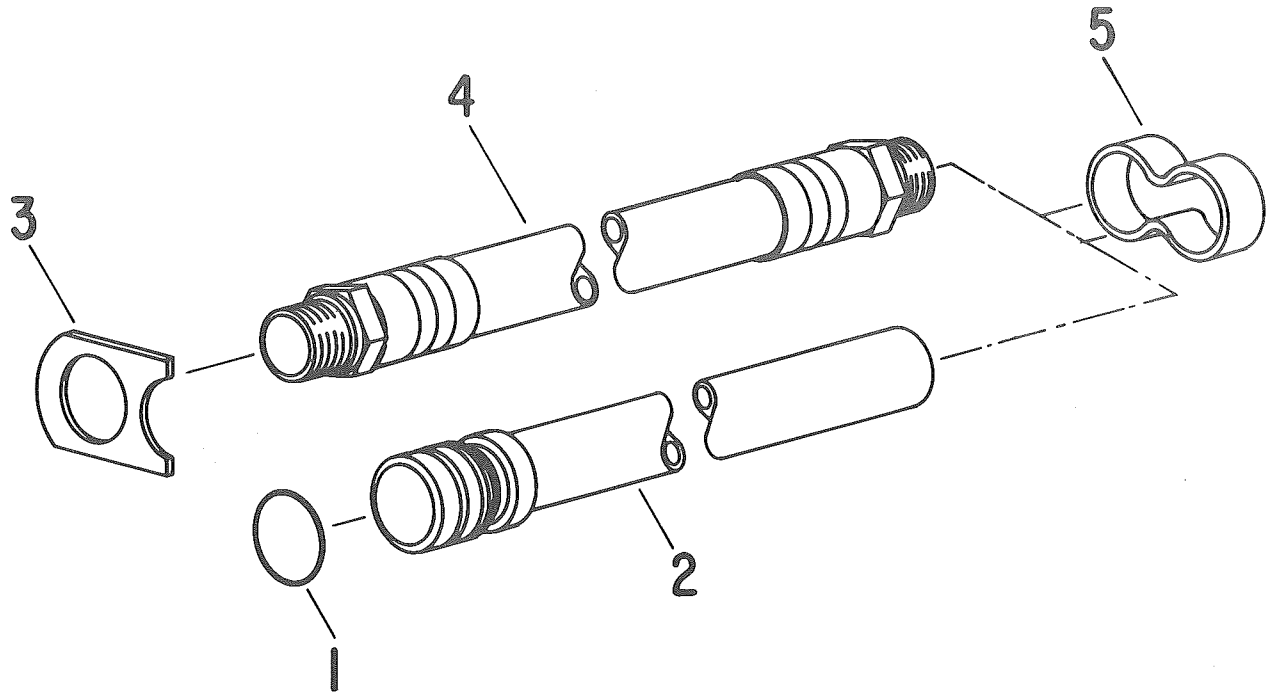


Fig- ure	Part No.	Name
1	14281	"O" Ring
2	63354	Ass'y—Exhaust Tube (Includes Fig. 1)
3	35743	Retainer—Remote Exhaust
4	1376	Hose—Leader
5	40153	Clip—Hose (3)

## INSTALLATION INSTRUCTIONS

Loosen inlet adaptor from the tool and remove exhaust screen.

Check exhaust hole in the housing for fitting the 63354 Exhaust Assembly. If the adaptor is tight, scrape the hole clean.

Slip 35743 retainer onto inlet adaptor in place of the exhaust screen. Slip "O" ring onto the inlet adaptor next to the retainer.

Assemble the inlet adaptor with retainer and "O" ring into the inlet port of the housing. The retainer "horseshoe" end fits into the groove on the exhaust adaptor.

Thread the leader hose (1376) into the inlet adaptor and tighten.

Widen the 40153 clips in order to slip them over the leader hose end. Place the first clip about 18" from the tool. With the leader hose in one end of the clip and the exhaust tube in the other, squeeze the center of the clip to tighten. Space the other two clips equally on the remainder of the hose.

**SIoux**  
**TOOLS INC.**

2901 FLOYD BOULEVARD ■ SIOUX CITY, IOWA 51102 ■

This pdf incorporates the following model numbers:

1450HPX