

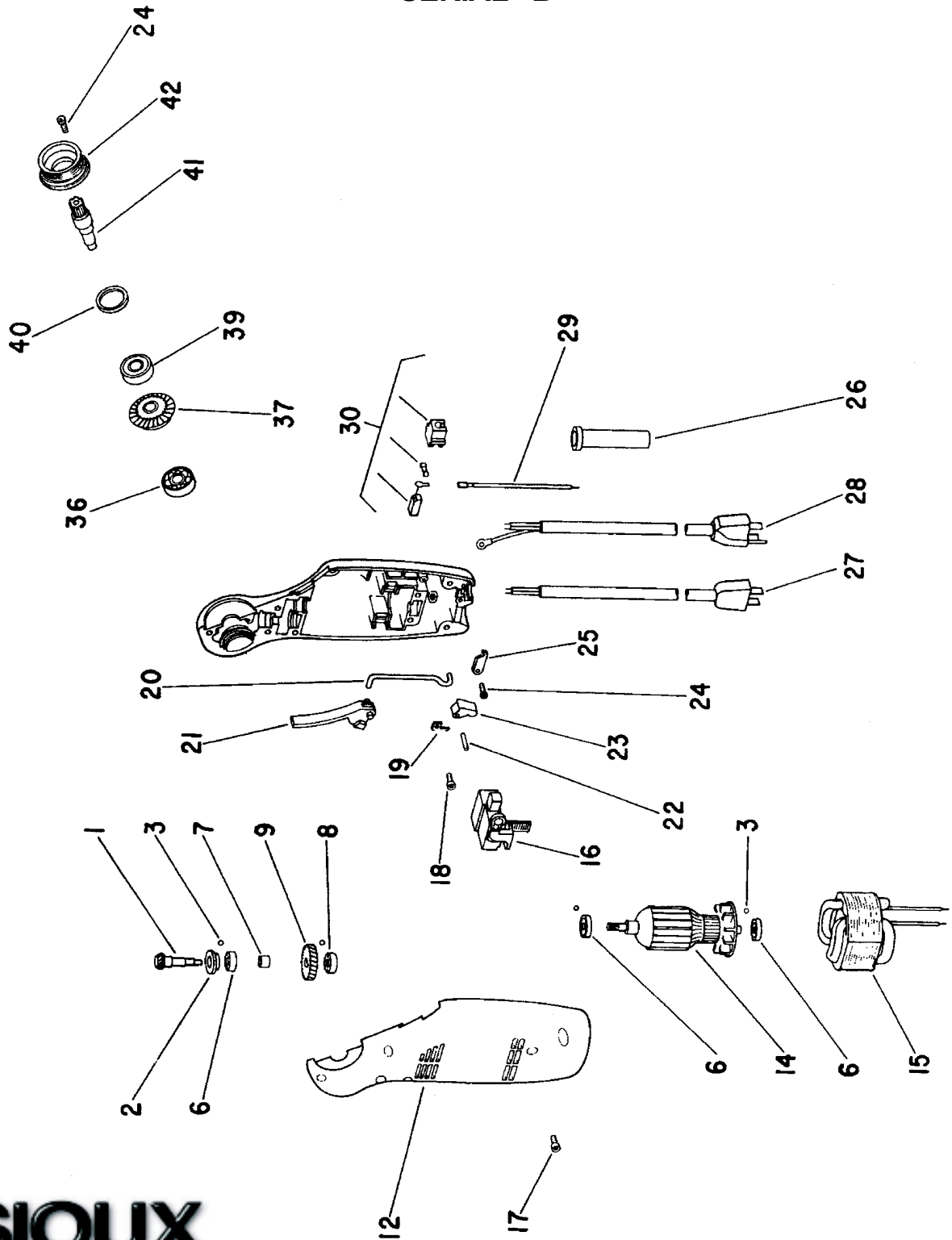


**NOTE: Parts are no longer available for this tool.**

**The manual will continue on the next page.**



# PARTS LIST FOR 8000 SERIES SCREWDRIVERS SERIAL "B"



# SIoux TOOLS INC.

2901 FLOYD BOULEVARD ■ PO BOX 507 ■ SIOUX CITY, IOWA 51102-0507 USA ■

Printed In U.S.A.



# POSITIVE CLUTCH

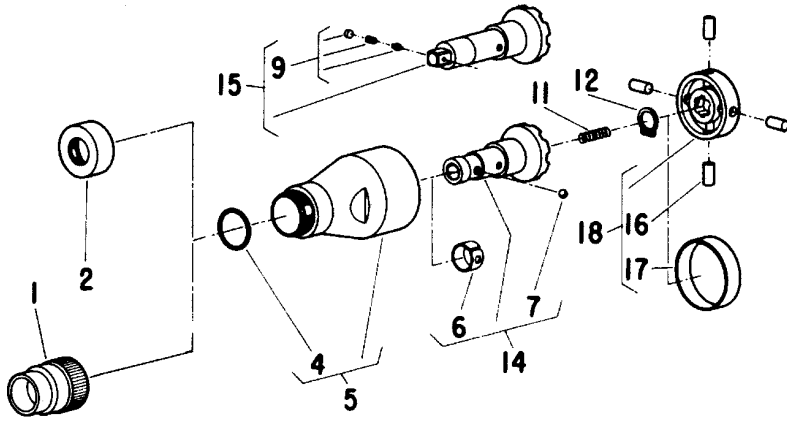


Fig. No.	Part No.	Description
	1. 44520	Retainer—Finder (Magnet Screwdriver)
	2. 54076	Protector—Thread
	4. 14281	Ring—"O"
	5. 63085	Ass'y—Clutch & "O"-Ring
	6. 25854	Ring—Ball Retainer
	7. 10902	Ball—Retainer
	9. 33465	Ass'y—Socket Retainer (3/8" Square Nutrunner)
	33827	Ass'y—Socket Retainer (1/4" Square Nutrunner)
	11. 21379	Spring
	12. 21500	Ring—Retainer
	14. 33631	Socket—Drive (Screwdriver)
	15. 53152	Ass'y—Drive Spindle (3/8" Square Nutrunner)
	53154	Ass'y—Drive Spindle (1/4" Square Nutrunner)
1	16. 34856	Roller (4)
	17. 34854	Ring—Roller Retainer
	18. 33630	Ass'y—Roller Cage

# ADJUSTABLE CLUTCH

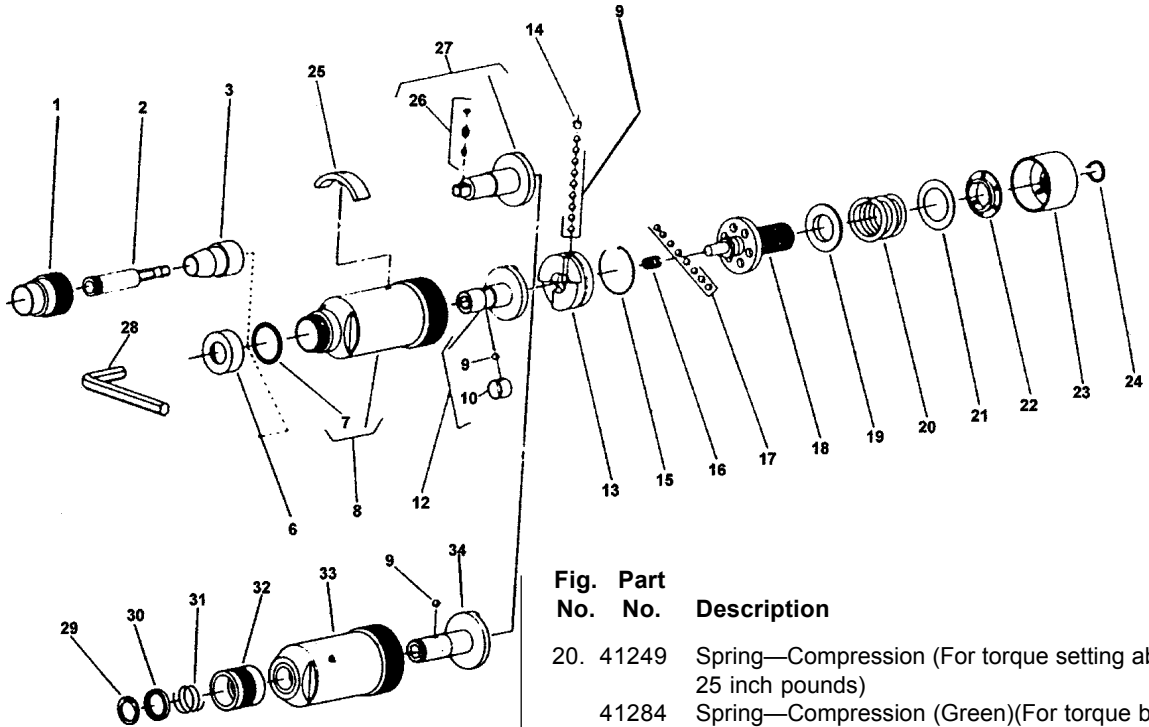


Fig. No.	Part No.	Description
	1. 44520	Retainer—Finder
	2. 2525	Bit Holder—Magnetic (Magnetic Only)
	3. 2497	Bushing (Magnetic Only)
	6. 54076	Protector—Thread
	7. 14281	Ring—"O"
	8. 63084	Ass'y—Clutch Case
	9. 10902	Ball—Steel (10)*
	10. 25854	Clip—Retainer
	12. 53076	Ass'y—Bit Holder
	13. 54071	Jaw—Clutch
	14. 54074	Retainer—Ball
	15. 21762	Ring—Retaining (Includes Wire & Spiral)
	16. 41250	Spring
	17. 10291	Ball—Steel (8)
	18. 22669	Spindle—Clutch
	19. 54072	Guide—Spring

Fig. No.	Part No.	Description
	20. 41249	Spring—Compression (For torque setting above 25 inch pounds)
	41284	Spring—Compression (Green)(For torque below 25 inch pounds)
	21. 35273	Washer
	22. 54073	Washer—Index
	23. 53095	Nut—Adjusting
	24. 21774	Ring—Retaining
	25. 53099	Wrench—Adjusting
	26. 33827	Ass'y—Socket Retainer (1/4" Square Nutrunner)
	33465	Ass'y—Socket Retainer (3/8" Square Nutrunner)
	27. 53082	Spindle—Drive (1/4" Square Nutrunner)
	53083	Spindle—Drive (3/8" Square Nutrunner)
	28. 30208	Wrench—Allen
	29. 21501	Ring—Retaining
	30. 44660	Ring—Guide
	31. 21406	Spring
	32. 54468	Retainer—Ball
	33. 54470	Case—Clutch
	34. 22677	Holder—Bit



# POSITIVE ANGLE JAW CLUTCH TYPE "A"

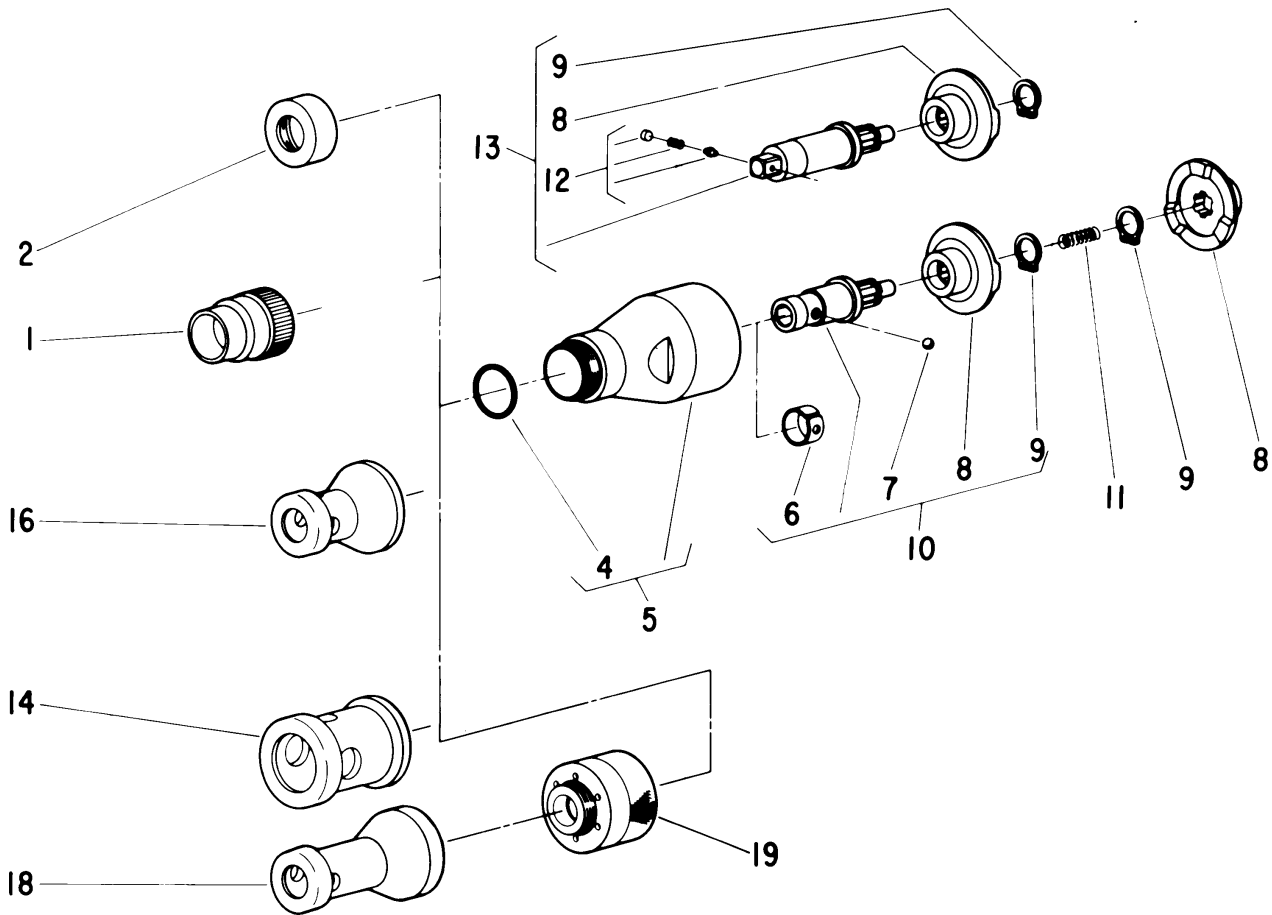


Fig. No.	Part No.	Description
1.	44520	Retainer—Finder (Magnet Screwdriver)
2.	54862	Adapter "DF Only"
	54076	Protector—Thread
4.	14281	Ring—"O"
5.	63085	Ass'y—Clutch Case & "O" Ring
6.	25854	Ring—Ball Retainer (Screwdriver)
7.	10902	Ball—Retainer (Screwdriver)
8.	44662	Jaw—Clutch (2)
9.	21500	Ring—Retaining (2)
10.	43452	Ass'y—Drive Socket (Screwdriver)
11.	21379	Spring
12.	33465	Ass'y—Socket Retainer (3/8" Square Nutrunner)
	33827	Ass'y—Socket Retainer (1/4" Square Nutrunner)
13.	53156	Ass'y—Drive Spindle (3/8" Square Nutrunner)
	53155	Ass'y—Drive Spindle (1/4" Square Nutrunner) (Includes one each of Fig. 8 & 9)

Fig. No.	Part No.	Description
14.	54104	Nose Piece—Fastener Locator (Std.)
	14110	Cap—End
16.	63121	Extended Locator 12" (X Only)
	63122	Bit Holder 12" (X Only)(Not Shown)
	54103	Nose Piece—Round Locator
	14109	Cap—End
18.	54241	Nose Piece—Long Round Locator
	14109	Cap—End
19.	53511	Ass'y—Depth Locator Base (Use with Figs. 14, 16 or 17)
	53512	Ass'y—Depth Locator Base (Use with Fig. 18)

# SIoux TOOLS INC.

2901 FLOYD BOULEVARD ■ PO BOX 507 ■ SIOUX CITY, IOWA 51102-0507 USA ■

Printed In U.S.A.

This pdf incorporates the following model numbers:

8000