

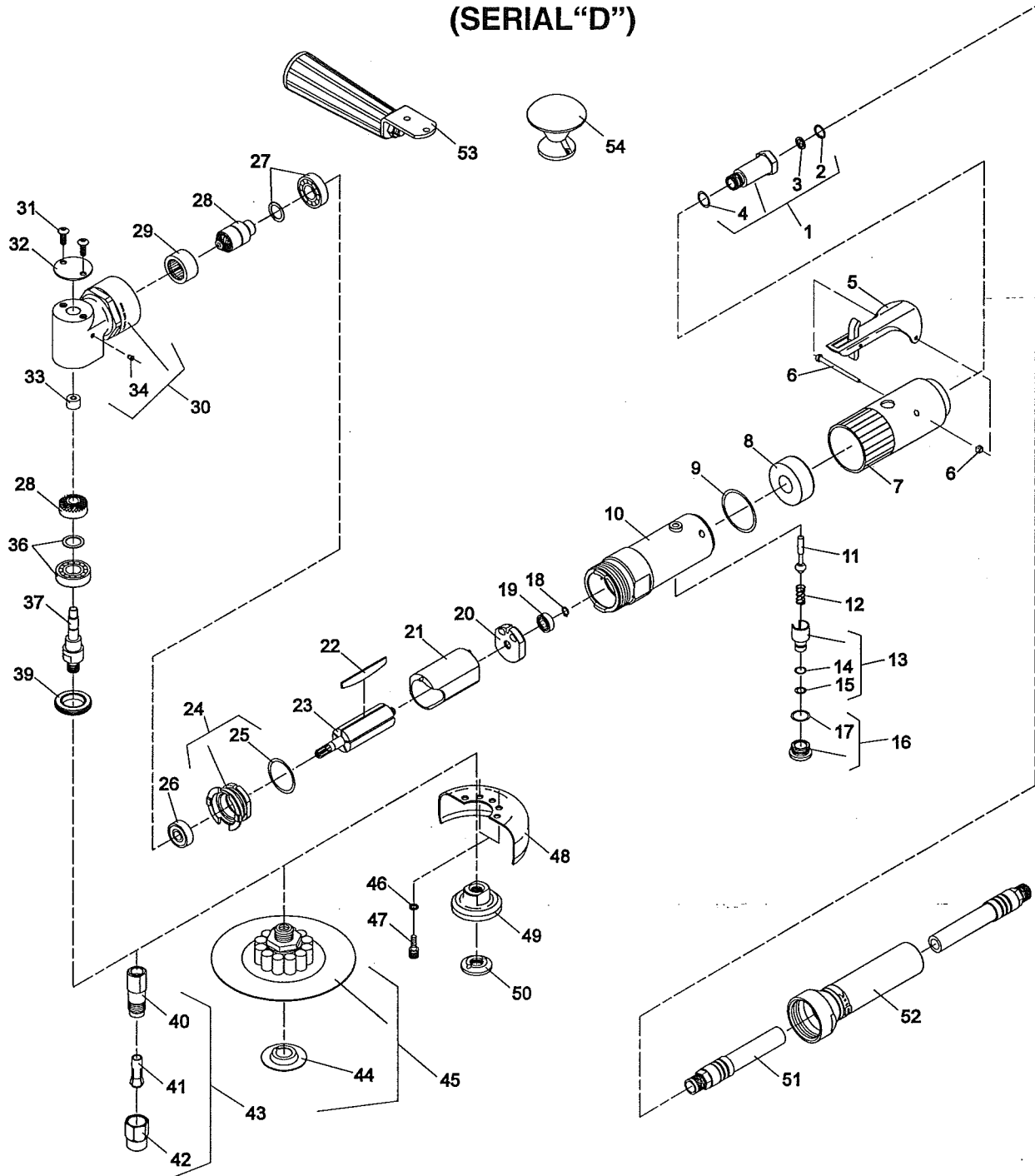


NOTE: Parts are no longer available for this tool.

The manual will continue on the next page.



PARTS LIST FOR
1963 RIGHT ANGLE DIE GRINDER—12000RPM
1964 RIGHT ANGLE DIE GRINDER—18000RPM
1965 RIGHT ANGLE SANDER—5"—12000RPM
1965-5/8 RIGHT ANGLE SANDER—5"—12000RPM
1966 RIGHT ANGLE GRINDER—3"—18000RPM
1967 RIGHT ANGLE GRINDER—4"—12000RPM
1968 RIGHT ANGLE GRINDER—4 1/2"—12000RPM
(SERIAL "D")



SIoux
TOOLS INC.

2901 FLOYD BOULEVARD ■ PO BOX 507 ■ SIOUX CITY, IOWA 51102-0507 ■

Printed in U.S.A.



PARTS LIST FOR
1963 RIGHT ANGLE DIE GRINDER—12000RPM
1964 RIGHT ANGLE DIE GRINDER—18000RPM
1965 RIGHT ANGLE SANDER—5"—12000RPM
1965-5/8 RIGHT ANGLE SANDER—5"—12000RPM
1966 RIGHT ANGLE GRINDER—3"—18000RPM
1967 RIGHT ANGLE GRINDER—4"—12000RPM
1968 RIGHT ANGLE GRINDER—4 1/2"—12000RPM
(SERIAL "D")

Fig. No.	Part No.	Name
1.	54837	Adaptor—Intake
2.	21541	Ring—Retaining
3.	30463	Screen
4.	14312	Ring—"O"
5.	63258	Ass'y—Lever
6.	66344	Ass'y—Pin
7.	04042	Cover—Housing
8.	40116	Material—Exhaust
9.	14313	Ring—"O"
10.	64036	Housing
11.	63241	Ass'y—Valve
12.	21427	Spring
13.	54843	Speed—Control
14.	14394	Ring—"O"
15.	14291	Ring—"O"
16.	54844	Retainer—Speed Control
17.	14309	Ring—"O"
18.	21491	Ring—Retaining
19.	10230	Bearing—Ball
20.	10552	End Plate—Rear
21.	64057	Cylinder
22.	63192	Vane (Set of 5)
23.	54861	Rotor
24.	65335	End Plate—Front
25.	14342	Ring—"O"
26.	10220	Bearing—Ball
27.	63234	Bearing & Spacer (Pinion)
28.	19736	Gear Set (1964, 1966)
	19737	Gear Set (1963, 1965, 1967, 1968)
29.	10081	Bearing—Caged Needle Roller
30.	65388	Ass'y—Angle Head (Incl. Figs. 29, 33 & 34)
31.	07097	Screw—Button Hd. Socket (#10-24 x 1/2")(2)*
32.	35708	Cover
33.	10082	Bearing—Caged Needle Roller
34.	30375	Fitting—Grease
36.	65860	Ass'y—Bearing & Spacer (Gear)
37.	65961	Spindle—Output (1963, 1964, 1965)
	65962	Spindle—Output (1966, 1967)
	65963	Spindle—Output (1968)
	66286	Spindle—Output (1965-5/8)

Fig. No.	Part No.	Name
39.	44776	Retainer—Bearing
40.	21096	Body—Collet (1963, 1964)
41.	44440	Collet—1/4" (1963, 1964)
42.	21097	Nut—Collet (1963, 1964)
43.	43340	Chuck—1/4" Collet Complete (1963, 1964)
44.	563	Nut—Disk Retaining (Package of 6)(1965)
	66293	Nut—Disk Retaining (5/8-11 Ser.)
45.	2344	Pad—Backing [Incl. (1) Fig. 44](1965)
	66292	Disk Backing 5" (5/8-11 Ser.)
46.	09724	Washer—Lock (1966, 1967, 1968)(2)*
47.	07095	Screw—Socket Hd. Cap Screw (#10-24 x 1/2") (1966, 1967, 1968)(2)*
48.	2346	3" Wheel Guard [Incl. (2) Fig. 46 & 47](1966)
	2347	4" Wheel Guard [Incl. (2) Fig. 46 & 47](1967)
	2341	4 1/2" Wheel Guard [Incl. (2) Fig. 46 & 47](1968)
49.	54958	Hub—Grinding Wheel (1966, 1967)
	65747	Flange—Inner (1968)
50.	54959	Retainer—Grinding Wheel (1966, 1967)
	65748	Flange—Outer (1968)
51.	1376	Hose—Leader Remote
52.	63355	Ass'y—Exhaust Hose Exhaust
53.	2357	Handle—Auxiliary
54.	2359	Knob—Auxiliary Not Furnished With Tool
	30465	Wrench—9/16" (1963, 1964, 1965)
	30466	Wrench—11/16" (1963, 1964)
	30505	Wrench—5/8" (1966, 1967, 1968)
	35545	Wrench—Spanner (1966, 1967)
	1J328	Wrench—Spanner (1968)
	30506	Wrench—Allen 3/16 (5/8-11 Ser.)
	66306	Wrench—Spanner (1965-5/8)
		Complete Assembly
	65956	Ass'y—Angle Head Complete (1966)
	65957	Ass'y—Angle Head Complete (1964)
	65958	Ass'y—Angle Head Complete (1967)
	65959	Ass'y—Angle Head Complete (1963, 1965)
	65960	Ass'y—Angle Head Complete (1968)
	66287	Ass'y—Angle Head Complete (1965-5/8)

* Order Quantity As Needed

SIoux
TOOLS INC.

2901 FLOYD BOULEVARD ■ PO BOX 507 ■ SIOUX CITY, IOWA 51102-0507 ■

Printed In U.S.A.

This pdf incorporates the following model numbers:

1963, 1964, 1965, 1966, 1967, 1968