



**NOTE: Parts are no longer available for this tool.**

**The manual will continue on the next page.**

# Parts List for NO. 7035 1/2" CAPACITY H.D. DRILL

Furnish Catalog, Serial and Model Number When Ordering Parts

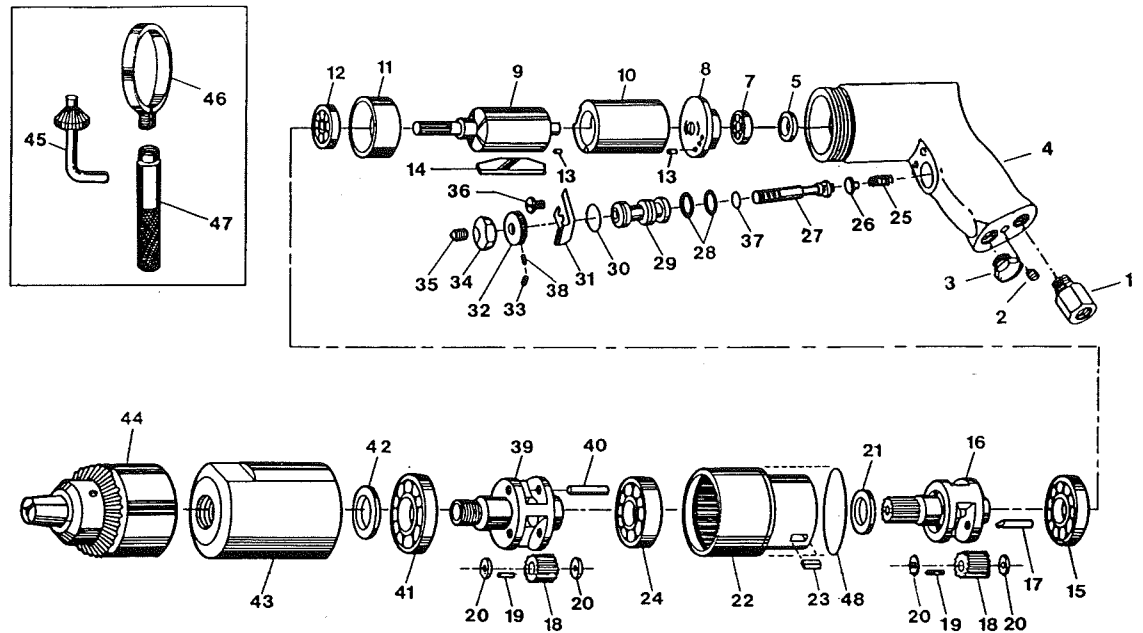


Figure No.	Part No.	Name	Figure No.	Part No.	Name
1	1J465	Hose Adapter	25	1J489	Spring
2	1J466	Screw Plug	26	1J490	"O" Ring Retainer
3	1J467	Muffer Diffuser	27	1J491	Throttle Valve
4	1J525	Motor Housing	28	1J492	"O" Ring (2)*
5	1J469	Bearing Cap	29	1J493	Throttle Bushing
7	10256	Ball Bearing	30	1J494	"O" Ring
8	1J472	Rear Plate	31	1J495	Bushing Retainer
9	1J526	Rotor	32	1J496	Throttle Nut
10	1J474	Cylinder	33	1J497	Set Screw
11	1J475	Front Plate	34	1J498	Throttle Button
12	10108	Ball Bearing	35	1J499	Set Screw
13	1J477	Pin (2)*	36	1J500	Screw (2)*
14	1J478	Rotor Blade (Set of 4)	37	1J173	"O" Ring
15	10226	Ball Bearing	38	1J537	Rod
16	1J529	Planet Cage	39	1J538	Planet Cage
17	1J530	Planet Pin (2)*	40	1J539	Planet Pin (3)*
18	1J531	Planet Gear (5)*	41	1J540	Ball Bearing
19	1J532	Roller/Retainer Set (Incl. 9 Rollers & 2 Retainers Ref. Fig. 20) (5)*	42	1J541	Seal
20	1J545	Retainer (10)*	43	1J542	Nose Housing
21	1J533	Planet Cage Washer	44	21132	Chuck (1/2" Capacity)
22	1J534	Internal Gear	45	30429	Chuck Key
23	1J535	Key	46	1J543	Clamp Ring
24	1J536	Ball Bearing	47	1J544	Dead Handle
			48	1J586	"O" Ring

\*Order Quantity As Needed

**DISTRIBUTED BY SIOUX TOOLS INC.**

2901 FLOYD BOULEVARD ■ SIOUX CITY, IOWA 51102 ■

This pdf incorporates the following model numbers:

7035