



NOTE: Parts are no longer available for this tool.

The manual will continue on the next page.

Parts List For 7040A 5" Sander

(Serial "A")

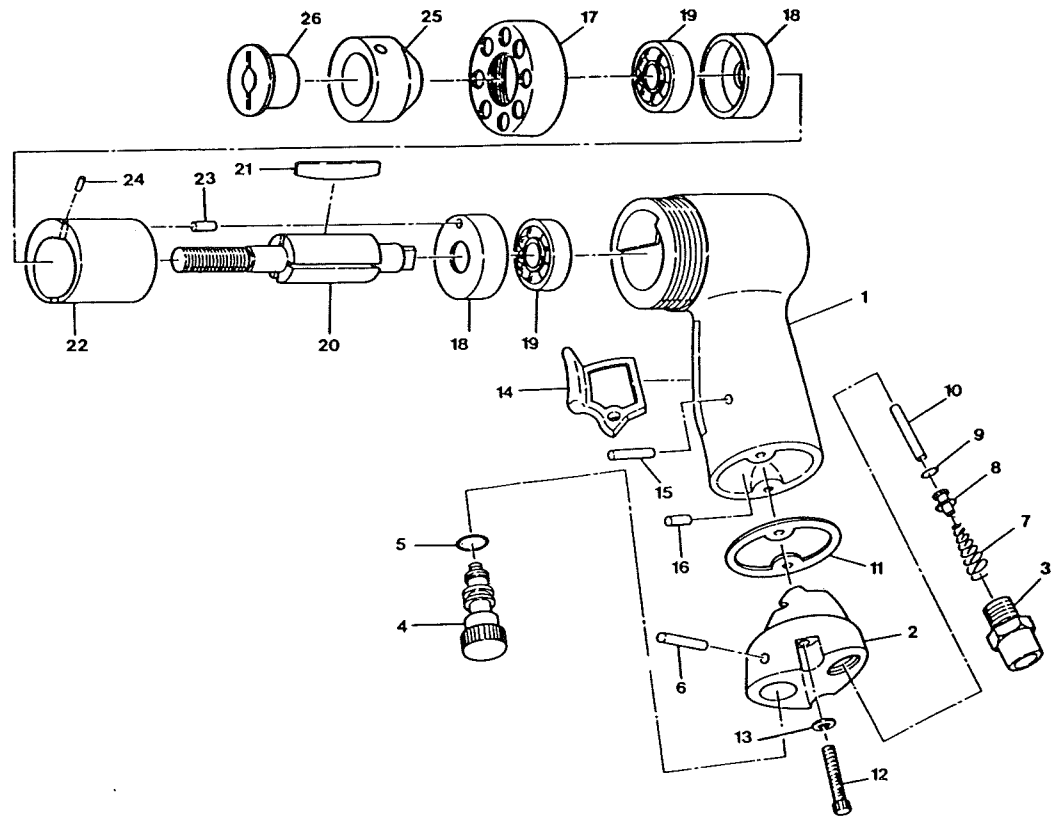


Figure No.	Part No.	Name	Figure No.	Part No.	Name
1	1J650	Handle	14	1J040	Throttle Lever
2	1J651	Valve Block	15	1J037	Roll Pin
3	1J052	Throttle Cap	16	1J658	Roll Pin
4	1J047	Air Regulator	17	1J659	Housing Lock Ring
5	1J046	"O" Ring	18	1J446	End Plate (2)*
6	1J037	Roll Pin	19	10196	Ball Bearing*
7	1J051	Throttle Valve Spring	20	1J445	Rotor
8	1J652	Valve Stem	21	1J444	Rotor Blades (Set of 4)
9	1J653	"O" Ring	22	1J442	Cylinder
10	1J654	Pin	23	1J660	Roll Pin
11	1J655	Gasket	24	1J661	Pin
12	1J656	Screw (2)*	25	1J662	Sanding Adaptor
13	1J657	Spring Washer (2)*	26	1J663	Adaptor Lock Down

Furnish Catalog, Serial and Model Number When Ordering Parts

*Order Quantity As Needed

DISTRIBUTED BY SIOUX TOOLS INC.

2901 FLOYD BOULEVARD ■ SIOUX CITY, IOWA 51102 ■

This pdf incorporates the following model numbers:

7040A