



**NOTE: Parts are no longer available for this tool.**

**The manual will continue on the next page.**

# Parts List for No. 7030 3/8" DRILL

Form A711B  
Dated 9/85

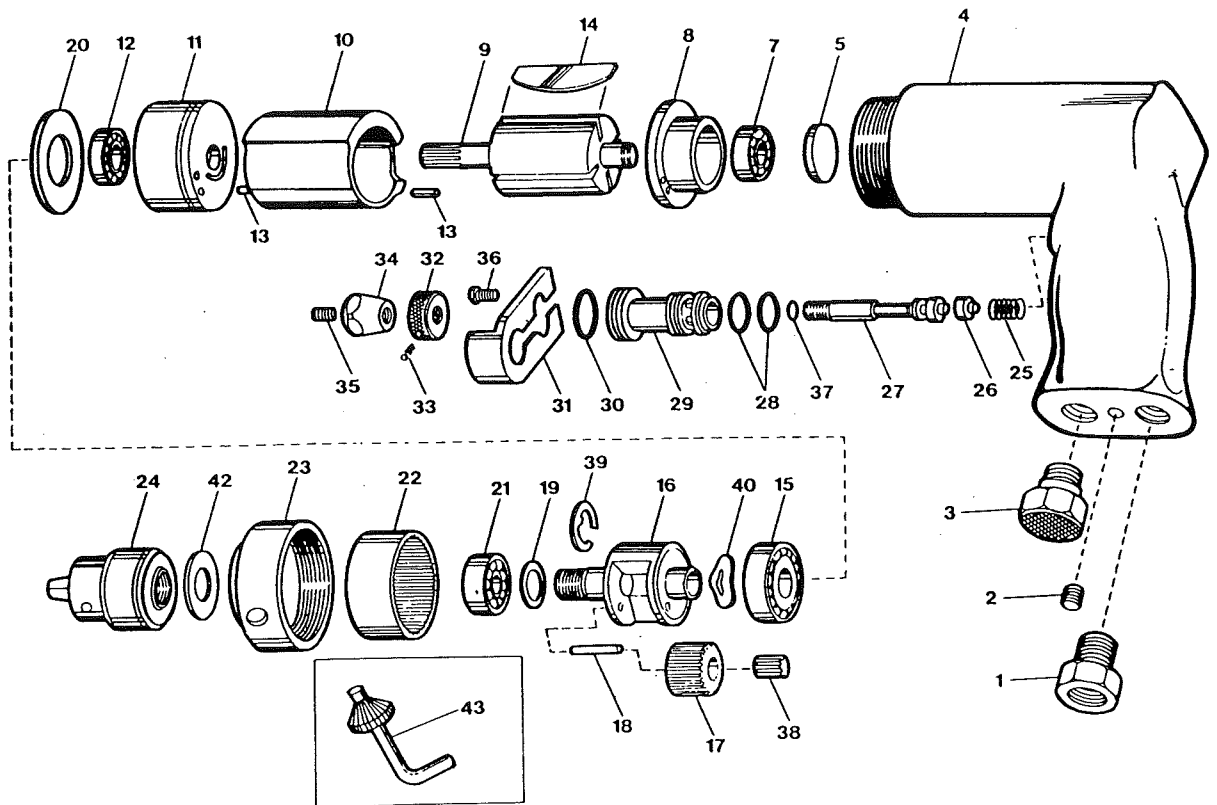


Fig- ure	Part No.	Name	Fig- ure	Part No.	Name
1	1J465	Hose Adaptor	22	1J486	Internal Gear
2	1J466	Screw Plug	23	1J487	Clamp Nut
3	1J467	Muffler Diffuser	24	1J488	Chuck (3/8" Cap.) (Option)
4	1J525	Motor Housing	25	1J489	Spring
5	1J469	Bearing Cap	26	1J490	"O" Ring Retainer
7	10256	Ball Bearing	27	1J491	Throttle Valve
8	1J472	Rear Plate	28	1J492	"O" Ring (2)*
9	1J473	Rotor	29	1J493	Throttle Bushing
10	1J474	Cylinder	30	1J494	"O" Ring
11	1J475	Front Plate	31	1J495	Bushing Retainer
12	10108	Ball Bearing	32	1J496	Throttle Nut
13	1J443	Pin (2)*	33	1J497	Set Screw
14	1J478	Rotor Blade (Set of 4)	34	1J498	Throttle Button
15	10226	Ball Bearing	35	1J499	Set Screw
16	1J480	Planet Cage	36	1J500	Screw (2)*
17	1J481	Planet Gear (2)*	37	1J173	"O" Ring
18	1J482	Planet Pin (2)*	38	1J502	Planet Rollers (22)*
19	1J483	Planet Cage Washer	39	1J503	Retaining Ring
20	1J584	Seal	40	1J583	Wave Washer
21	10257	Ball Bearing	42	1J484	Chuck Spacer
			43	1J585	Chuck Key (Option)

Furnish Catalog, Serial and Model Number When Ordering Parts  
\*Order Quantity As Needed

**DISTRIBUTED BY SIOUX TOOLS INC.**

2901 FLOYD BOULEVARD ■ SIOUX CITY, IOWA 51102 ■

This pdf incorporates the following model numbers:

7030