



NOTE: Parts are no longer available for this tool.

The manual will continue on the next page.



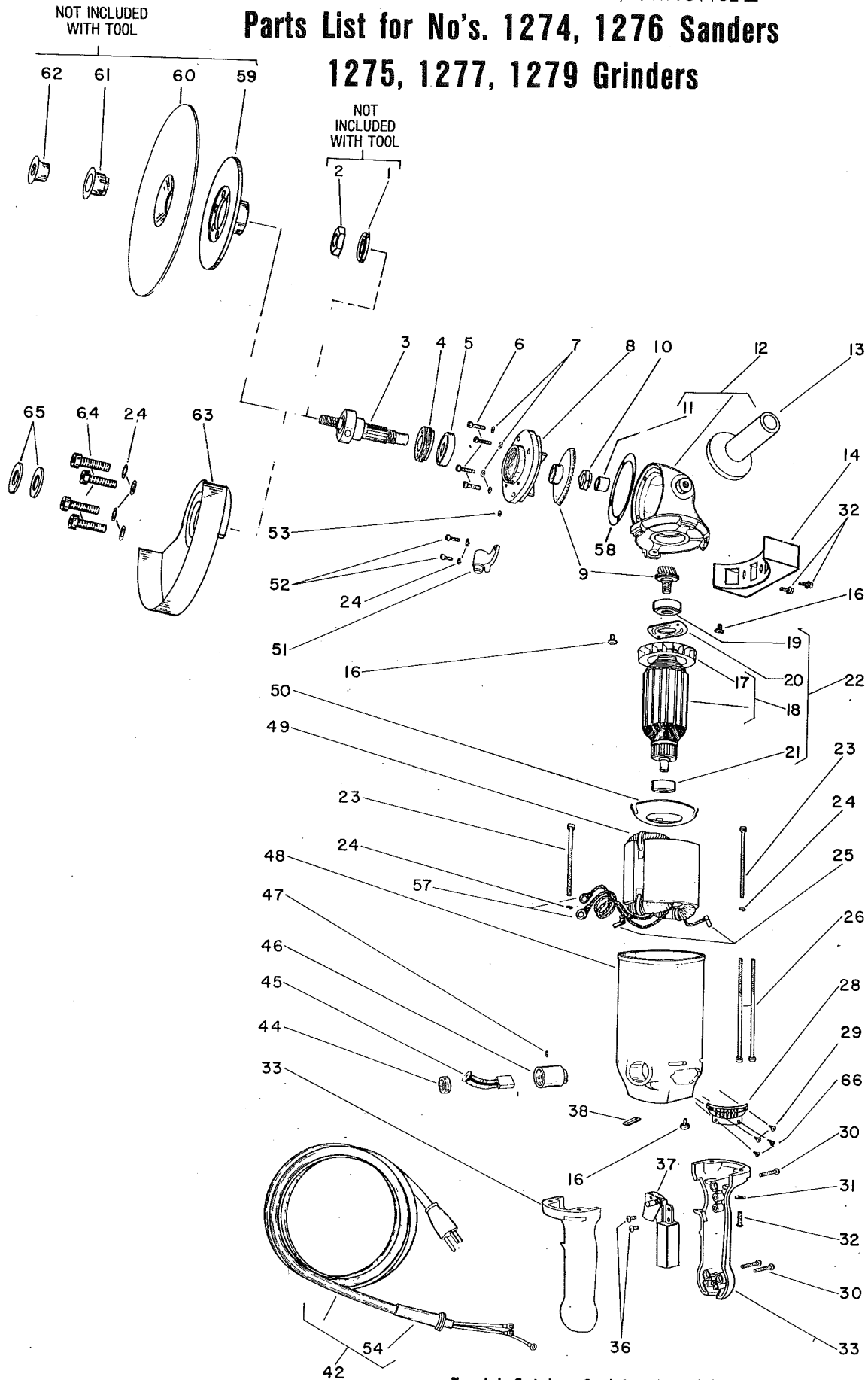
SIoux TOOLS INC.

Form No. A699
Dated 3/85

2901 FLOYD BOULEVARD ■ SIOUX CITY, IOWA 51102 ■

Parts List for No's. 1274, 1276 Sanders

1275, 1277, 1279 Grinders



Furnish Catalog, Serial and Model Number When Ordering Parts

Parts List for No's 1274, 1276 Sanders 1275, 1277, 1279 Grinders

Furnish Catalog, Serial and Model Number When Ordering Parts

Fig- ure	Part No.	Name	Fig- ure	Part No.	Name
1	24295	Flange—Outside (1274, 1276)	42	18431	Ass'm—Cord & Terminals (115V)—
2	09657	Nut—Tool Spindle (1274, 1276)		18431J	Ass'm—Cord & Terminals (230 Volt)
3	22930	Spindle—Tool	44	18119	Cap—Brush Holder (2)*
4	23017	Ass'm.—Oil Seal	45	18020	Brush—Motor (Pair)
5	10141	Bearing—Ball	46	18074	Brush Holder
6	07142	Screw—#10 (4)* (1274, 1276)	47	07000	Screw—#10 (2)*
7	14613	Washer (4)*	48	12771	Housing
8	12436	Support—Bearing	49	28699	Field—Motor (115V) Includes Fig. 25 (2) & 57 (2)
9	19731	Gear—Matched Set, Spiral Bevel Gear & Pinion (1274, 1277, 1279) (5000 R.P.M.)		28699J	Field—Motor (230V) Includes Fig. 25 (2) & 57 (2)
	19700	Gear—Match Set, Spiral Bevel Gear & Pinion (7000 Max. R.P.M.) (1275, 1276)	50	25014	Plate—Baffle
	24023	Slinger—Grease (5000 R.P.M.) 1274, 1277, 1279)	51	23189	Ass'm.—Tool Spindle Lock
	24021	Slinger—Grease (7000 Max. R.P.M.) (1275, 1276)	52	07144	Screw—#10 (2)*
	54768	Spacer	53	06404	Screw—#8
10	09693	Nut—Elastic Stop	54	04295	Relief—Strain
11	10023	Bearing—Needle	57	18610	Terminal (2)*
12	12435	Gear Case	58	14324	Gasket (1275, 1277, 1279)
13	63349	Ass'm.—Side Handle	59	544	Sanding Disc Holder (1274, 1276)
14	14190	Air—Director	60	548	Disc Pad (1274, 1276)
16	07204	Screw—#10 (3)*		551	Disc Pad—(1278)
17	21565	Fan		551H	Disc Pad—(1279)
18	28688	Ass'm.—Armature & Fan (115V)	61	542	Backing Disc Retainer (1274, 1276)
	28688J	Assy.—Armature & Fan (230V)	62	543	Lock Nut (1274, 1276)
19	10290	Bearing—Ball	63	2325	Ass'y.—Guard (Incl. Figs. 24, 58, 64, 65) (1275, 1277)
20	25016	Plate—Bearing Lock		2328	Ass'y.—Guard (Incl. Figs. 24, 58, 64, 65) (1279)
21	10210	Bearing—Ball	64	07094	Screw—Soc. Hd. Cap #10-24 X 1-3/4" (4)* (1275, 1277, 1279)
22	16838	Ass'm.—Armature, Fan & Bearings (115V)	65	25894	Washer (2)* (1275, 1277, 1279)
23	07134	Screw—#10 (2)*		09954	Drive—Screw (2)*
24	09724	Washer—Lock (4)* (1274, 1276), (8)* (1275, 1277, 1279)	66	07238	Screw #10 (2)
25	18860	Clip—Terminal (2)*	20546	Name Plate, Mylar (1274) (115 Volt)	
26	07153	Screw—#10 (4)*	20546J	Name Plate, Mylar (1274) (230 Volt)	
	28405-066	Insulation Tubing (4)*	20547	Name Plate, Mylar (1275) (115 Volt)	
28	14192	Ass'm.—Open Insp. Hole Cover	20547J	Name Plate, Mylar (1275) (230 Volt)	
29	07143	Screw—#10 (4)*	20548	Name Plate, Mylar (1276) (115 Volt)	
30	06657	Screw—#8 (3)*	20548J	Name Plate, Mylar (1276) (230 Volt)	
31	35234	Washer (4)	20549	Name Plate, Mylar (1277) (115 Volt)	
32	07237	Screw—#10 (6)*	20549J	Name Plate, Mylar (1277) (230 Volt)	
33	63196	Ass'm—Handle Complete (115 Volt)	20551	Name Plate, Mylar (1279) (115 Volt)	
	63196J	Ass'm—Handle Complete (230 Volt)	20551J	Name Plate, Mylar (1279) (230 Volt)	
36	06673	Screw—#8 (2)*	20539	Name Plate, Alum. (1274) (115 Volt)	
37	18205	Switch	20539J	Name Plate, Alum. (1274) (230 Volt)	
38	14697	Retainer—Wire	20540	Name Plate, Alum. (1275) (115 Volt)	
			20540J	Name Plate, Alum. (1275) (230 Volt)	
			20541	Name Plate, Alum. (1276) (115 Volt)	
			20541J	Name Plate, Alum. (1276) (230 Volt)	
			20542	Name Plate, Alum. (1277) (115 Volt)	
			20542J	Name Plate, Alum. (1277) (230 Volt)	
			20544	Name Plate, Alum. (1279) (115 Volt)	
			20544J	Name Plate, Alum. (1279) (230 Volt)	

NOT
INCLUDED
WITH TOOL

NOT INCLUDED
WITH TOOL

*Order Quantity As Needed



SIOUX TOOLS INC.

2901 FLOYD BOULEVARD ■ SIOUX CITY, IOWA 51102 ■

This pdf incorporates the following model numbers:

1274, 1276, 1275, 1277, 1279