



NOTE: Parts are no longer available for this tool.

The manual will continue on the next page.



**SIoux
TOOLS INC.**

2901 FLOYD BOULEVARD ■ SIOUX CITY, IOWA 51102 ■

Form A695
Dated 11/81
E.D-11/81

PARTS LIST FOR 1456 1/4" AIR DRILL

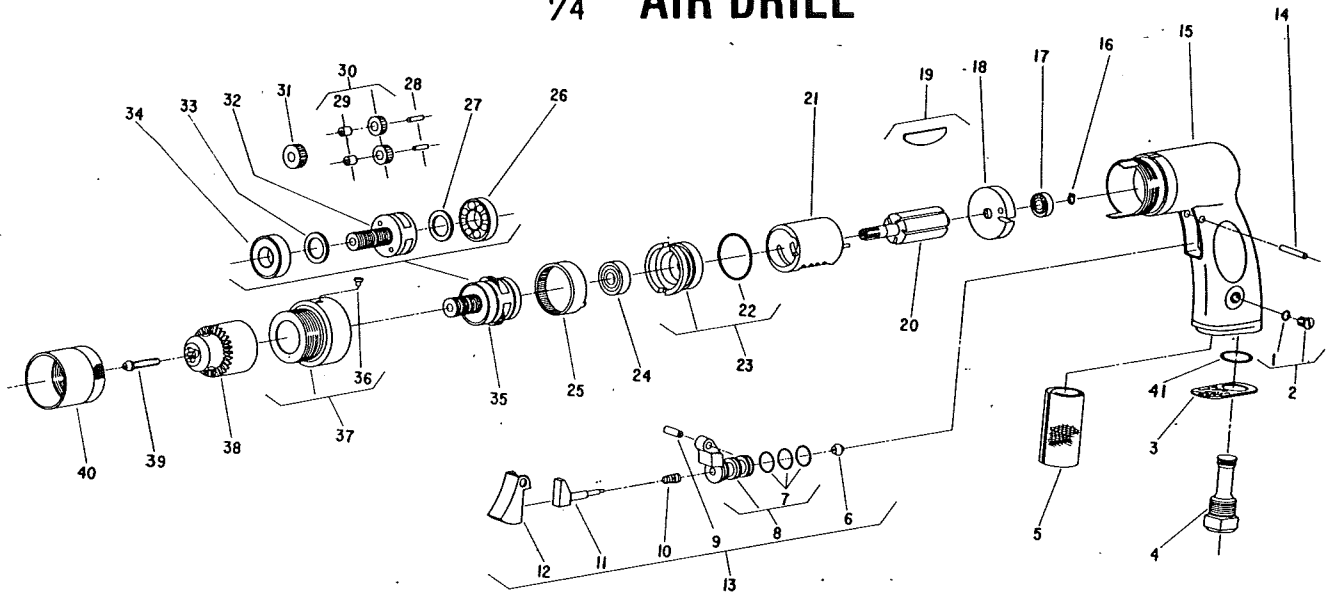


Figure	Part No.	Name	Figure	Part No.	Name
1	14369	Ring-"O"	22	14342	Ring-"O"
2	44253	Oiler Screw & "O" Ring	23	33741	Assy. - Lower End Plate
3	35604	Screen - Exhaust	24	10220	Bearing - Ball
4	63193	Adaptor - Inlet	25	19160	Gear - Ring
5	14177	Pad - Silencing	26	10203	Bearing - Ball
6	04205	Valve	27	25439	Washer
7	14312	Ring-"O" (3)*	28	30062	Pin (2)
8	63191	Assy. - Valve Body & "O" Rings	29	10040	Bearing - Needle (2)*
9	44754	Bushing	30	19331	Assy. - Gear & Bearing (2)*
10	21401	Spring	31	19247	Gear - Pinion
11	63194	Assy. - Valve (Incls. Fig. 6)	32	22685	Spindle - Chuck
12	14180	Assy. - Trigger	33	25987	Washer
13	63190	Assy. - Teasing Throttle Valve	34	10221	Bearing - Ball
14	30322	Pin - Groove	35	63185	Assy. - Planetary Reduction
15	63189	Assy. - Handle (Incl. Fig's. 2, 3, 4, 5)	36	30375	Fitting - Grease
16	21491	Ring - Retainer	37	54419	Case - Gear
17	10230	Bearing - Ball	38	21077	Chuck
18	10545	End Plate - Upper		30000	Key - Chuck
19	63192	Assy. - Rotor Valve (Set of 5)	39	06602	Screw
20	54798	Rotor	40	34952	Shield - Chuck 1/4" Cap.
21	54800	Assy. - Cylinder & Pins	41	14281	Ring-"O"

*Order Quantity As Needed

COMPLETE ASSEMBLY

63188	Assy. - Offset Handle (Non Rev.) (Incl. Fig. 1 thru 15)
63184	Assy. - Gear Case (Incl. Fig. 25, 35, 37)
63187	Assy. - Motor Parts (Incl. Fig. 16 Thru 24)

This pdf incorporates the following model numbers:

1456