



NOTE: Parts are no longer available for this tool.

The manual will continue on the next page.

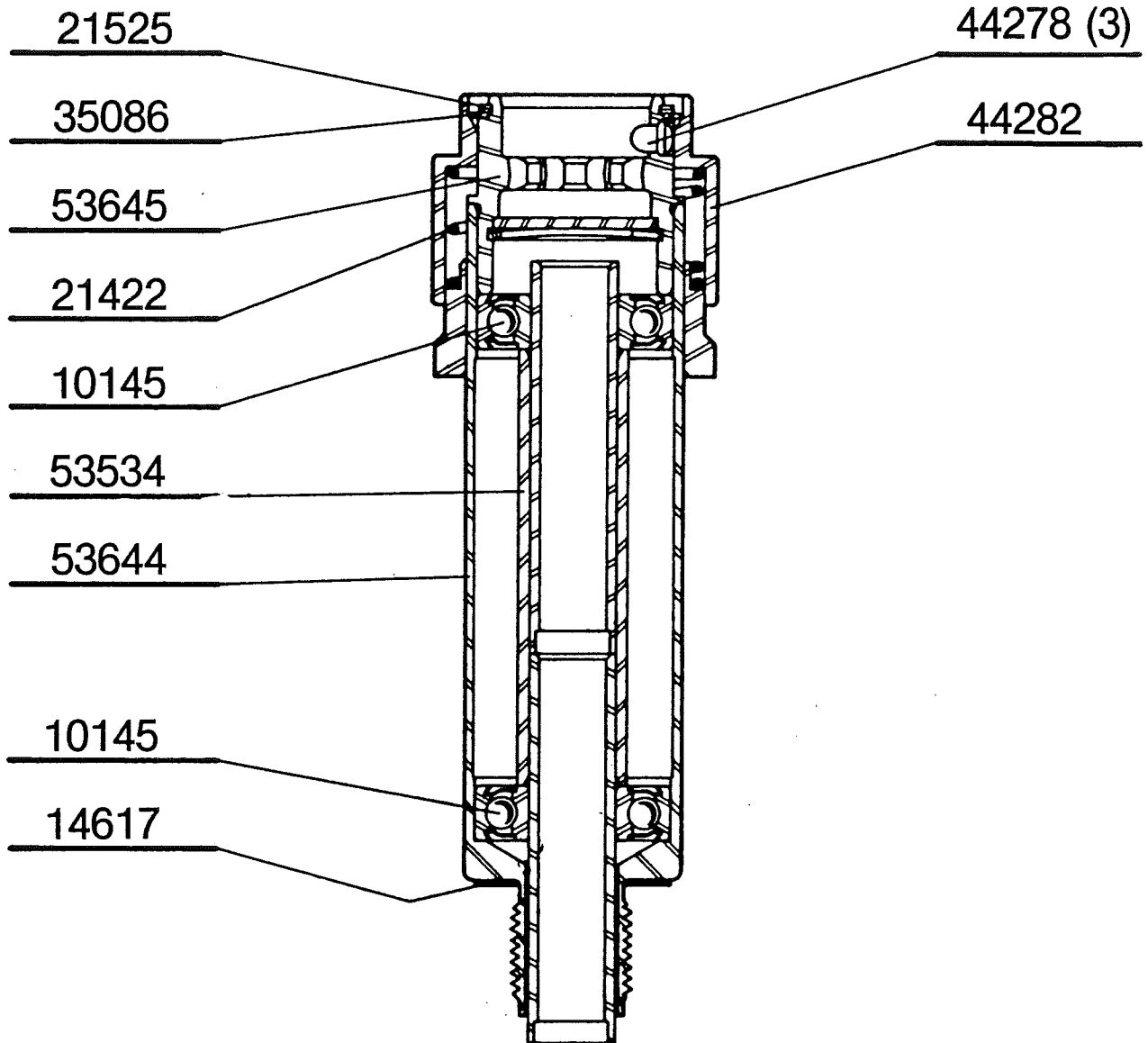


**SIoux
TOOLS INC.**

2901 FLOYD BOULEVARD ■ SIOUX CITY, IOWA 51102 ■

Form A683
Dated 8-81

1782



- | | |
|-------|----------|
| 10145 | Bearing |
| 14617 | Washer |
| 21422 | Spring |
| 21525 | Retainer |
| 35086 | Adaptor |
| 44278 | Lock |
| 44282 | Lock |
| 53534 | Sleeve |
| 53644 | Arbor |
| 53645 | Socket |

This pdf incorporates the following model numbers:

1782