



NOTE: Parts are no longer available for this tool.

The manual will continue on the next page.

Parts List For 1672 GRINDING WHEEL HOLDER

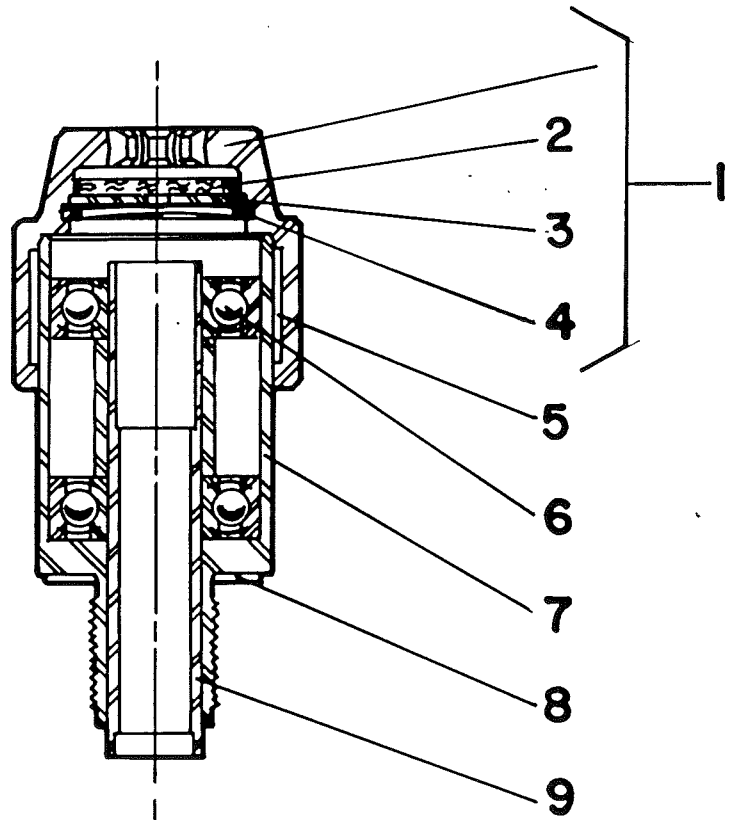


Fig- ure	Part No.	Name
1	63408	Spline Cap (Incl. Figs. 2, 3 and 4) *
2	05077	Disc
3	35355	Shock Plate
4	21784	Retaining Ring
5	40158	Tolerance Ring
6	10145	Bearing (2)*
7	54982	Arbor
8	14617	Washer
9	53681	Sleeve

*Order Quantity As Needed



**SIoux
TOOLS INC.**

2901 FLOYD BOULEVARD ■ SIOUX CITY, IOWA 51102 ■

This pdf incorporates the following model numbers:

1672