



NOTE: Parts are no longer available for this tool.

The manual will continue on the next page.



**SIoux
TOOLS INC.**

2901 FLOYD BOULEVARD ■ SIOUX CITY, IOWA 51102 ■

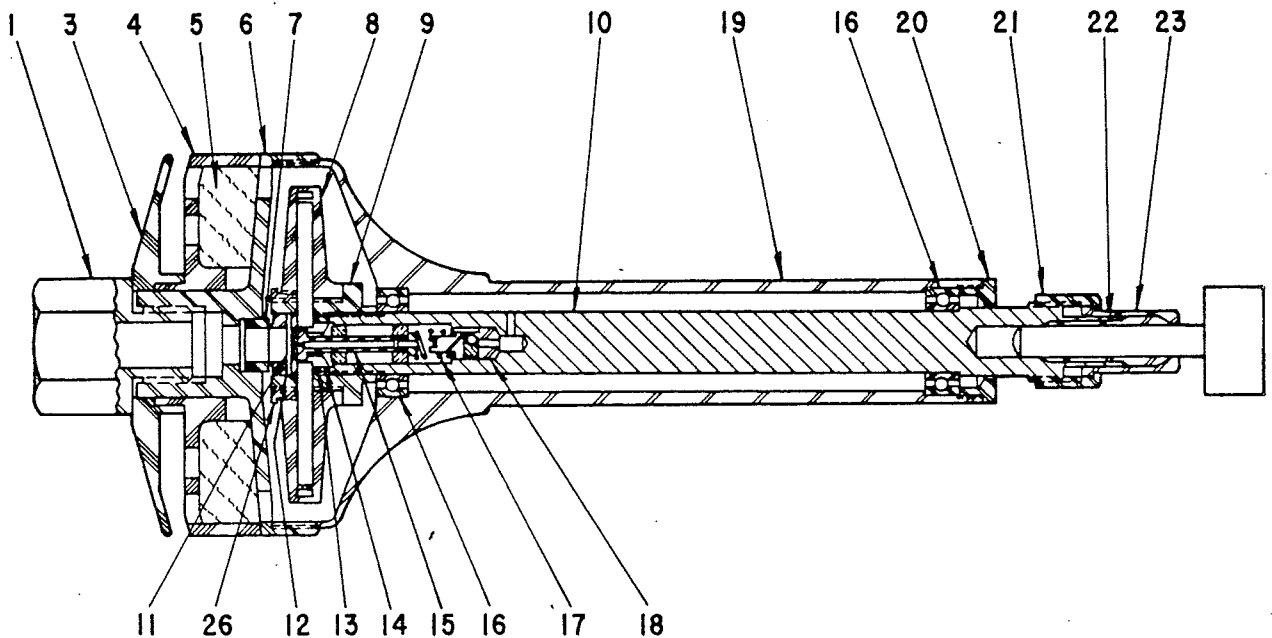
Form A646
Dated 10/81
E.D. 10/81

**1979
AIR TURBINE ROUTER
40000 R.P.M.
POWER UNIT**

Fig- ure	Part No.	Name
1.	54770	Adapter-Inlet
3.	72182	Cap-Deflector
4.	72183	Housing-Muffler
5.	72184	Pad-Baffle
6.	72185	Cap-End
7.	72186	Seal
8.	72187	Ass'y-Roter
9.	72188	End-Shaft
10.	72189	Shaft
11.	72190	Pin-Deflector
12.	72191	Stop-Valve
13.	72192	Locknut-Diaphragm
14.	72193	Ring-Diaphragm Seating

Fig- ure	Part No.	Name
15.	72194	Piston-Governor Ass'y
16.	72195	Bearing (2)*
17.	72196	Spring-Governor
18.	72197	Ass'y.-Trigger
19.	72198	Ass'y.-Housing
20.	72199	Cover-bearing
21.	72200	Nut-Collet
22.	72201	Collet 1/4" or 6MM
23.	72203	Nosepiece-Collet
24.	72204	Wrenches-1/2 (Not Shown)
25.	72205	Wrenches-11/16 (Not Shown)
26.	72206	Nut-Lock

*Order Quantity As Needed.



Furnish Catalog, Serial and Model Number When Ordering Parts

1979 AIR TURBINE ROUTER BASE UNIT

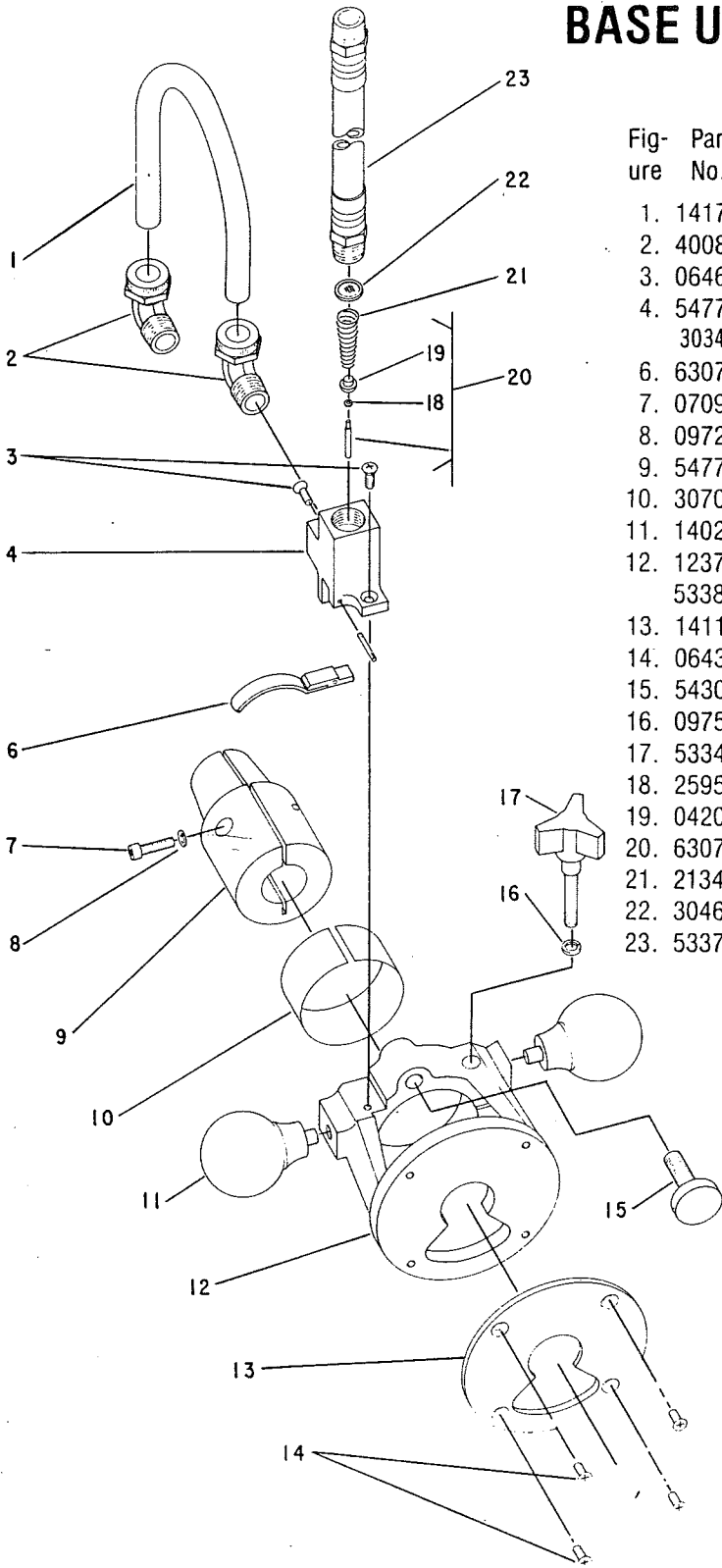


Fig- ure	Part No.	Name
1.	14173	Line-Air
2.	40086	Elbow-Male (2)*
3.	06466	Screw-Oval Hd. C'Sunk (#8-32x1/2'') (2)*
4.	54772	Block-Valve
	30349	Pin-Groove (3/32x7/8)
6.	63075	Assy.-Lever
7.	07091	Screw-Soc. Hd. Cap (#10-24x3/4'')
8.	09726	Washer-Lock (#10)
9.	54774	Adaptor
10.	30700	Sleeve
11.	14020	Knob (2)*
12.	12373	Base-Router
	53385	Assy.-Router Base (Incl's. Fig's. 10 thru 17)
13.	14113	Plate-Sub
14.	06436	Screw-Phil. Flat Hd. (#8-32x5/16'') (4)*
15.	54301	Stop
16.	09750	Washer-Lock (1/4'')
17.	53341	Assy.-Clamping Screw
18.	25957	Washer
19.	04205	Valve
20.	63076	Assy.-Valve
21.	21346	Spring
22.	30462	Screen
23.	53370	Assy.-Hose (6' Long)

*Order Quantity As Needed

SIOUX TOOLS INC.

2901 FLOYD BOULEVARD ■ SIOUX CITY, IOWA 51102 ■

This pdf incorporates the following model numbers:

1979