



NOTE: Parts are no longer available for this tool.

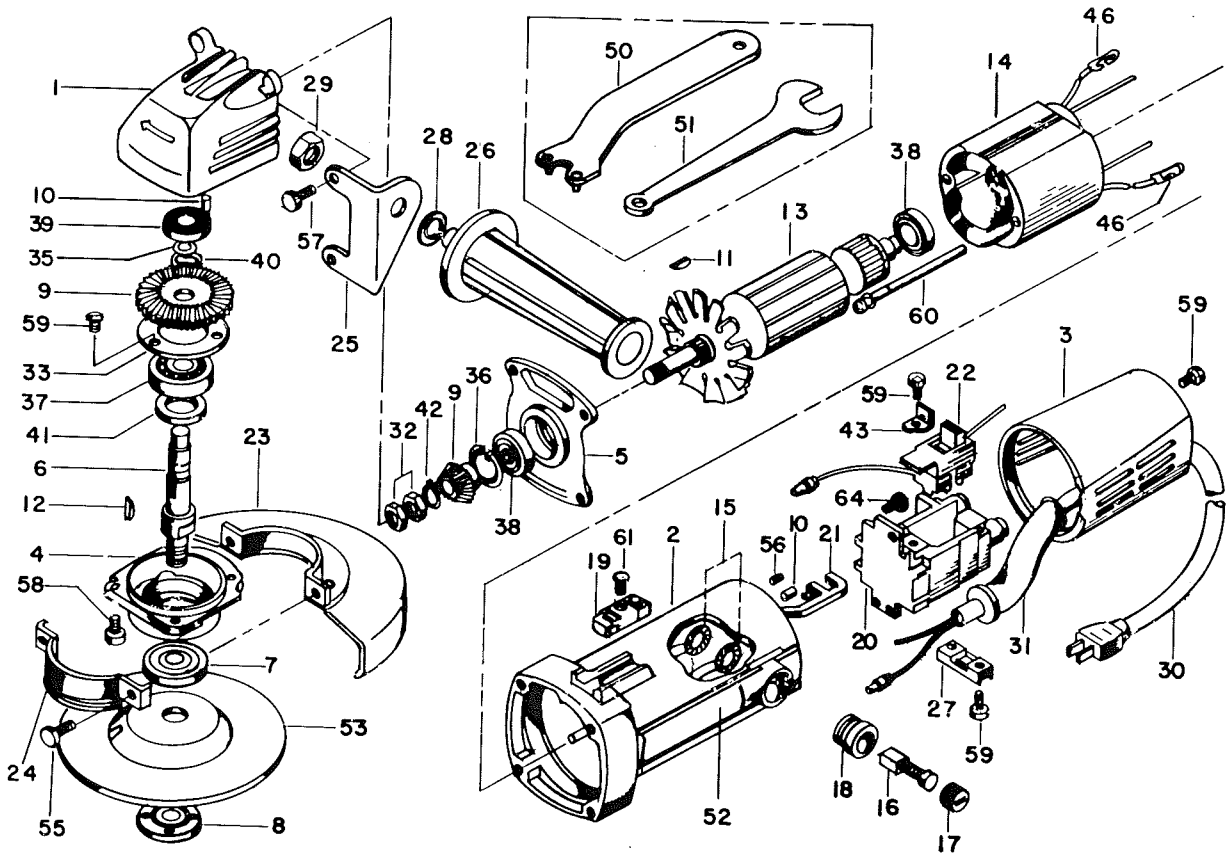
The manual will continue on the next page.



Parts List For Sioux No. 1240 4 1/2" ELECTRIC GRINDER

Form No. A635
Dated 8/79

Furnish Catalog, Serial and Model Number When Ordering Parts



Parts List For Sioux No. 1240 4½" ELECTRIC GRINDER

Furnish Catalog, Serial and Model Number When Ordering Parts

Fig- ure	Part No.	Name	Fig- ure	Part No.	Name
1	1J285	Gear Case	28	1J312	Spring Washer 10
2	1J286	Housing	29	1J313	Nut M10
3	1J287	End Case	30	18549	Cord
4	1J288	Gear Case Cover	31	04291	Cord Protector
5	1J289	Center Bracket	32	1J316	M8 Pinion Nut
6	1J290	Spindle	33	1J317	Bearing Retainer
7	1J291	Disc Receiver	35	1J318	Retaining Ring
8	1J292	Disc Set Screw	36	1J319	Retaining Ring
9	1J293	Gear Set	37	1J320	Bearing
10	1J294	Rubber Bushing (2)*	38	1J321	Bearing
11	1J295	Woodruff Key	39	1J322	Bearing
12	1J296	Woodruff Key	40	1J323	Wave Washer WW-10
13	1J297	Armature	41	1J324	Felt Packing
14	1J298	Field	42	1J325	Spring Washer 8
15	1J299	Garter Spring (2)*	43	1J326	Spring Retainer
16	1J300	Brush (Set)	46	1J327	Connector
17	1J301	Brush Cap (2)*	50	1J328	Disc Spanner
18	1J302	Brush Holder (2)*	51	1J329	Stop Spanner
19	1J303	Switch (Lever)	52	20469	Name Plate
20	1J304	Eside Plate	55	1J332	Screw (2)*
21	1J305	Switch Connecting Rod	56	1J333	Set Screw M4 x 7 (2)*
22	1J306	Switch	57	1J334	Screw M5 x 20 (4)*
23	1J307	Guard	58	1J335	Screw M4 x 16 (4)*
24	1J308	Guard Band	59	1J336	Screw M4 x 10 (8)*
25	1J309	Side Handle Mounting Bracket	60	1J337	Screw M4 x 60 (2)*
26	1J310	Side Handle	61	1J338	Screw M3 x 8
27	1J311	Cord Retainer	64	1J339	Screw M4 x 12 (2)*

*Order Quantity As Needed

SIoux TOOLS INC.

2901 FLOYD BOULEVARD ■ SIOUX CITY IOWA 51102 ■

This pdf incorporates the following model numbers:

1240