



NOTE: Parts are no longer available for this tool.

The manual will continue on the next page.



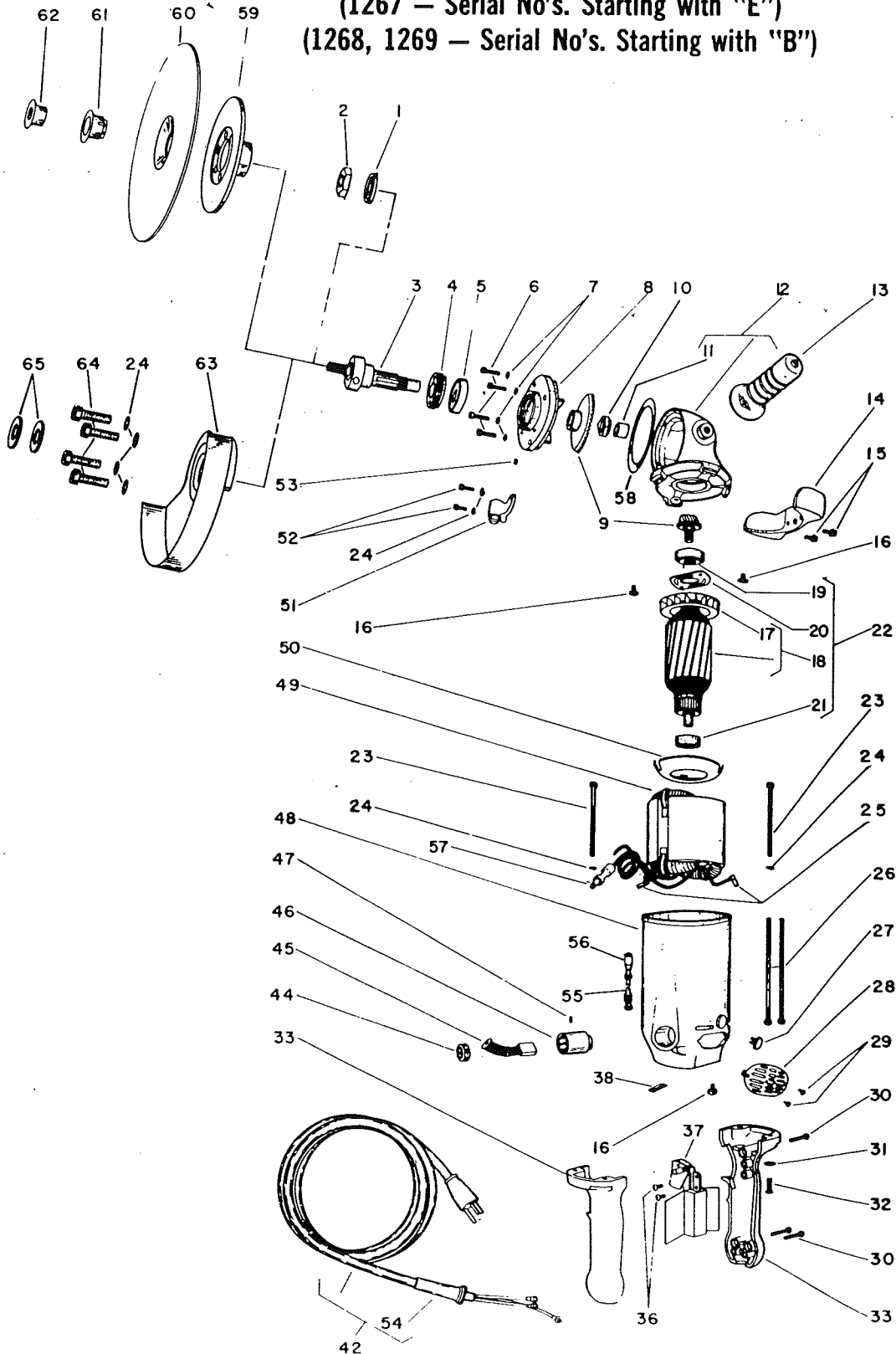
SIoux TOOLS INC.

2901 FLOYD BOULEVARD ■ SIOUX CITY, IOWA 51102 ■ *

Form No. A634B
Dated 8-81

Parts List for No's. 1267, 1269 – 7" Sanders 1268 – 7" Grinder

(1267 – Serial No's. Starting with "E")
(1268, 1269 – Serial No's. Starting with "B")



Parts List for No's. 1267, 1269 – 7" Sanders 1268 – 7" Grinder

(1267 – Serial No's. Starting with "E")
(1268, 1269 – Serial No's. Starting with "B")

Furnish Catalog, Serial and Model Number When Ordering Parts

| Figure | Part No. | Name | Figure | Part No. | Name |
|--------|----------|--|--------|----------|--|
| 1 | 24295 | Flange—Outside (1267, 1269) | 31 | 35234 | Washer (4) |
| 2 | 09657 | Nut—Tool Spindle (1267, 1269) | 32 | 07223 | Screw—#10 (4)* |
| 3 | 63112 | Spindle—Tool (Incl's. Fig. 51) (Up To Ser. "E") On 1267 & Up To Ser. "B" On 1268, 1269) | 33 | 53786 | Ass'm.—Handle Complete |
| | 22930 | Spindle—Tool (Ser. No's. Starting With "E" On 1267 & Starting With "B" On 1268, 1269) | 36 | 06673 | Screw—#8 (2)* |
| 4 | 23017 | Ass'm.—Oil Seal | 37 | 18204 | Switch |
| 5 | 10141 | Bearing—Ball | 38 | 14697 | Retainer—Wire |
| 6 | 07114 | Screw—#10 (4)* (1267, 1269) | 42 | 18416 | Ass'm.—Cord & Terminals (115V) |
| 7 | 14613 | Washer (4)* | | 18417 | Ass'm.—Cord & Terminals (115V) (30 foot) |
| 8 | 12009 | Support—Bearing | | 53535 | Ass'y.—Handle, Switch & Cord (115V) |
| 9 | 19701 | Gear—Matched Set, Spiral Bevel Gear & Pinion (5000 R.P.M.) (1267) | 44 | 18120 | Cap—Brush Holder (2)* |
| | 19700 | Gear—Matched Set, Spiral Bevel Gear & Pinion (7000 Max. R.P.M.) (1268, 1269) | 45 | 18018 | Brush—Motor (2)* (pair) (115V) |
| | 24023 | Slinger—Grease (5000 R.P.M.) (1267) | | 18025 | Brush—Motor (Pair) (230V) |
| | 24021 | Slinger—Grease (7000 Max. R.P.M.) (1268, 1269) | 46 | 18075 | Holder—Brush (2)* |
| 10 | 09693 | Nut—Elastic Stop | 47 | 07000 | Screw—#10 (2)* |
| 11 | 10023 | Bearing—Needle | 48 | 12333 | Housing |
| 12 | 12008 | Gear Case | 49 | 28590 | Field—Motor (115V) |
| 13 | 23006 | Ass'm.—Side Handle | | 28590J | Field—Motor (230V) |
| 14 | 35271 | Air—Director | 50 | 25014 | Plate—Baffle |
| 15 | 07210 | Screw—#10 (2)* | 51 | 23189 | Ass'm.—Tool Spindle Lock |
| 16 | 07204 | Screw—#10 (3)* | 52 | 07110 | Screw—#10 (2)* |
| 17 | 21565 | Fan | 53 | 06404 | Screw—#8 |
| 18 | 28525 | Ass'm.—Armature & Fan (115V) | 54 | 04219 | Relief—Strain |
| | 28525J | Ass'y.—Armature & Fan (230V) | 55 | 28111 | Ass'y.—Lead Wire (Incl's. Fig. 56) (2)* |
| 19 | 10127 | Bearing—Ball | 56 | 28084 | Plug—Bullet (Female) (2)* |
| 20 | 25016 | Plate—Bearing Lock | 57 | 28083 | Plug—Bullet (Male) (2)* |
| 21 | 10112 | Bearing—Ball | 58 | 14324 | Gasket (1268) |
| 22 | 16833 | Ass'm.—Armature, Fan & Bearings (115V) | 59 | 544 | Sanding Disc Holder (1267, 1269) |
| 23 | 07134 | Screw—#10 (2)* | 60 | 548 | Disc Pad (1267, 1269) |
| 24 | 09724 | Washer—Lock [(4)* 1267, 1269], [(8)* 1268] | 61 | 542 | Backing Disc Retainer (1267, 1269) |
| 25 | 18860 | Clip—Terminal (2)* | 62 | 543 | Lock Nut (1267, 1269) |
| 26 | 07153 | Screw—#10 (4)* | 63 | 2325 | Ass'y.—Guard (Incl'd. Figs. 24, 58, 64, 65) (1268) |
| 27 | 34976 | Button—Wear | 64 | 07094 | Screw—Soc. Hd. Cap #10-24 X 1-3/4" (4)* (1268) |
| 28 | 23091 | Ass'm.—Open Insp. Hole Cover | 65 | 25894 | Washer (2)* (1268) |
| 29 | 06090 | Screw—#4 (2)* | | 20451 | Plate—Name (1267) (115V) |
| 30 | 06655 | Screw—#8 (3)* | | 20452 | Plate—Name (1268) (115V) |
| | | | | 20453 | Plate—Name (1269) (115V) |
| | | | | 09954 | Drive—Screw (2)* |

*Order Quantity As Needed



This pdf incorporates the following model numbers:

1267, 1268, 1269