



NOTE: Parts are no longer available for this tool.

The manual will continue on the next page.

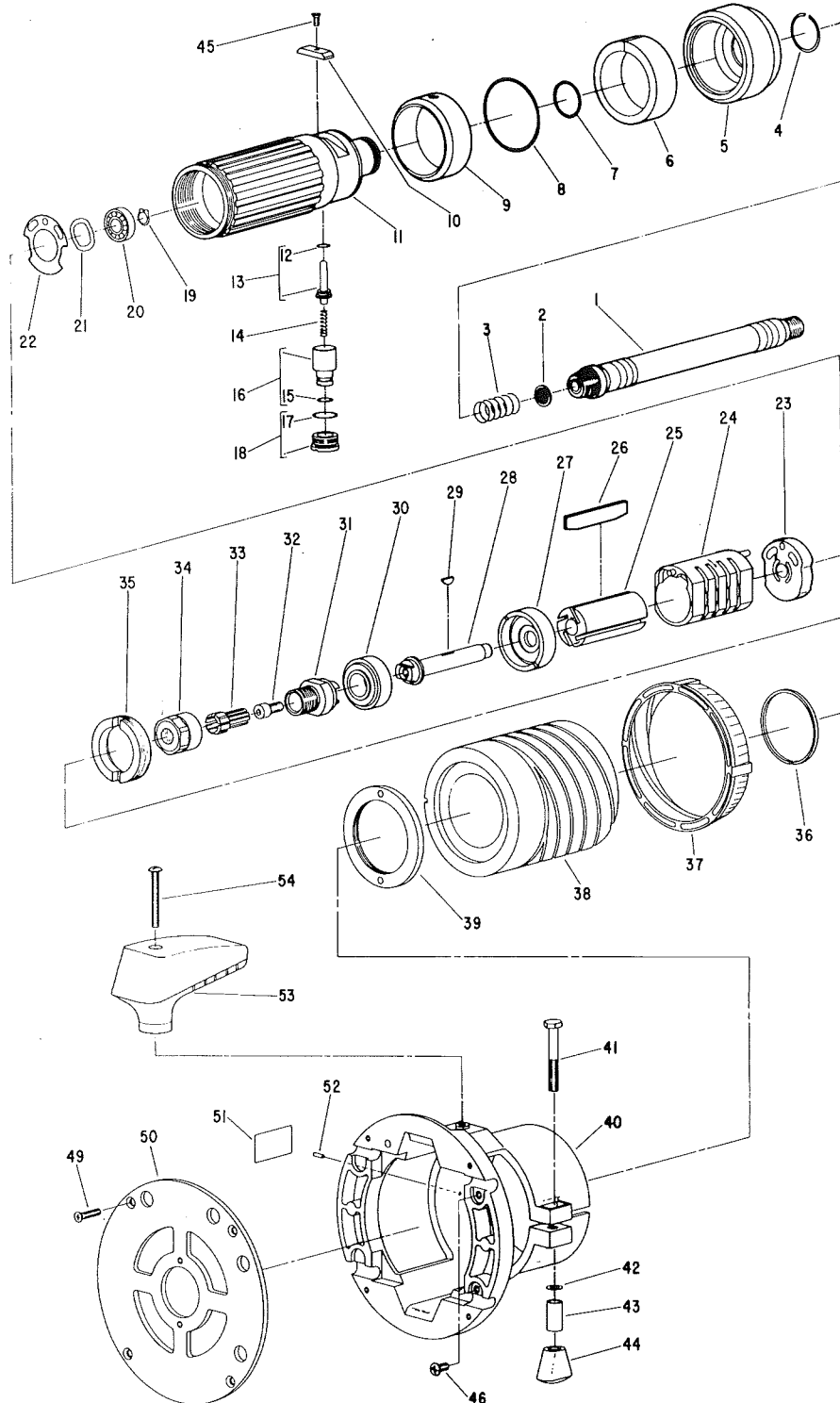


**SIoux
TOOLS INC.**

2901 FLOYD BOULEVARD ■ SIOUX CITY, IOWA 51102 ■

Form A597
Dated 2/83
E.D. 2/83

**Parts List For
1982 (3/8" collet), 1983 (1/2" collet)
Air Router**
UP TO SERIAL NO'S. STARTING WITH "C"



Furnish Catalog Number When Ordering Parts

Parts List For 1982 (3/8" collet), 1983 (1/2" collet) Air Router

Furnish Catalog Number When Ordering Parts

UP TO SERIAL NO'S. STARTING WITH "C"

Fig- ure	Part No.	Name	Fig- ure	Part No.	Name
1	53370	Assy.—Hose (6' Long)	33	21125	Collet-Erickson (3/8") (1982)
2	30462	Screen		21124	Collet-Erickson (1/2") (1983)
3	21385	Spring	34	21123	Locknut-Erickson
4	21776	Ring-Retaining	35	54264	Retainer
5	54265	Silencer	36	21801	Ring-Retaining
6	14114	Pad-Silencer	37	40039	Ring-Adjusting
7	14391	Ring-"O"	38	54672	Adaptor—6" Base
8	14336	Ring-"O"	39	54671	Nut-Spanner
9	54273	Operator-Valve	40	53899	Base-Router (Incl's. Figs. 41, 42, 43, 44, 46, 49, 50, 52, 53 & 54)
10	54274	Cam	41	08300	Screw—Hex. Hd. Cap (1/4"— 20 x 1-3/4")
11	53474	Assy.-Router Housing (Incl. Figs. 7 & 8)	42	41308	Washer—Spring
12	14291	Ring-"O"	43	40057	Spacer
13	53360	Assy.-Valve & "O" Ring	44	14161	Knob
14	21315	Spring	45	06198	Screw—Oval Hd. C'sunk (#6— 32 x 5/16")
15	14311	Ring-"O"	46	07228	Screw—Pan Hd. (#10—32 x 3/8") (2)*
16	53361	Assy.-Speed Control & "O" Ring	49		Screw—Phil. C'sunk Hd. (#8— 32 x 1/2")(4) Earlier Model
17	14378	Ring-"O"			Screw—Pan Hd. (#8-32 x 3/8")(4)
18	53362	Assy.-Retainer & "O" Ring	50	40058	Base—Sub (Incl's. Fig. 49) (4)
19	21534	Ring-Retaining	51	20444	Plate—Name (1982)
20	10241	Bearing-Ball		20445	Plate—Name (1983)
21	41226	Washer-Wave	52	30413	Pin-Roll (3/32" x 5/16")
22	14794	Gasket	53	14162	Handle
23	13261	End Plate-Rear	54	07227	Screw—Pan Hd. (#10—24 x 2-3/8")(2)*
24	44869	Cylinder		25480	Wrench (7/8" Opening)
25	54261	Rotor		30653	Wrench (1-1/8" Opening)
26	53363	Assy.-Rotor Vane (Set of 4)		53912	Assy.—Complete Chuck (3/8")(1982) (Incl's. Figs. 31, 33 & 34)
27	13270	End Plate—Front		53524	Assy.—Complete Chuck (1/2")(1983) (Incl's. Figs. 31, 33 & 34)
† 28		Shaft—Rotor			
29	40092	Key—Woodruff			
† 30		Bearing—Ball			
† 31		Body—Erickson Collect Chuck			
† 32		Screw—Socket Hd. Cap (1/4"-20x1/2")			

*Order Quantity As Needed

† Available In Assy. Only 1982, 1983 Units Order Pt. No. 53968.



SIoux
TOOLS INC.

2901 FLOYD BOULEVARD ■ SIOUX CITY, IOWA 51102 ■

This pdf incorporates the following model numbers:

1982, 1983