



NOTE: Parts are no longer available for this tool.

The manual will continue on the next page.



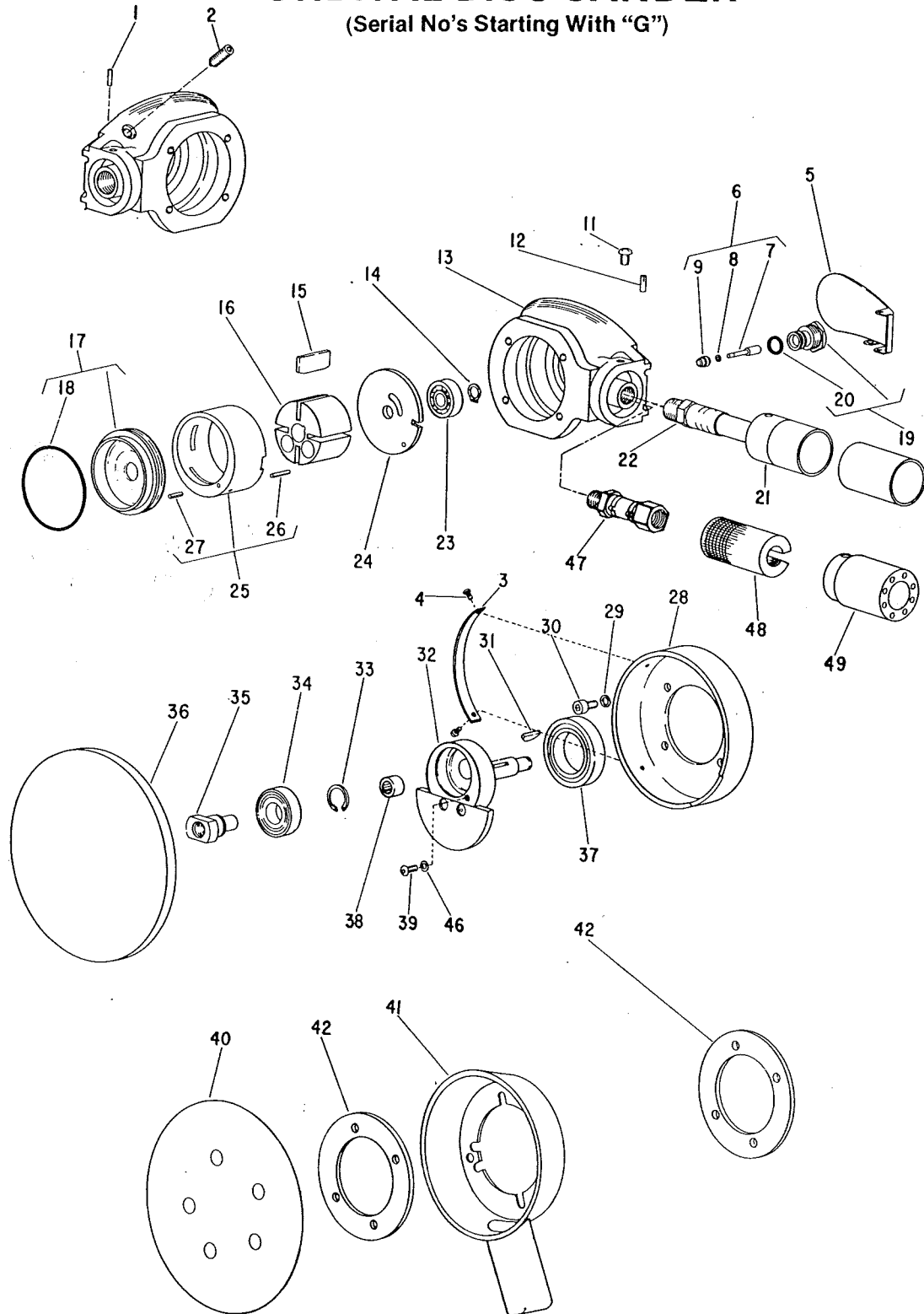
**SIoux
TOOLS INC.**

Form A588C
Dated 4/87

2901 FLOYD BOULEVARD ■ SIOUX CITY, IOWA 51102 ■

**Parts List For
Sioux No. 590, 590V, 590M & 590MV (5")
595, 595V, 595M & 595MV (6")
ORBITAL DISC SANDER**

(Serial No's Starting With "G")



Furnish Catalog Serial and Model Number When Ordering Parts

Parts List For Sioux No. 590, 590V, 590M & 590MV (5") 595, 595V, 595M & 595MV (6") ORBITAL DISC SANDER

(Serial No's Starting With "G")

Furnish Catalog Serial and Model Number When Ordering Parts

-V is Vacuum Pickup Type
-M is Muffler Type
-MV is Vacuum Pickup & Muffler Type

Fig- ure	Part No.	Name	Fig- ure	Part No.	Name
1.	30323	Pin—Roll (1/16" x 3/8")	28.	35528	Shroud (590)
2.	08035	Screw—Throttle Adj. (1/4" 20)	29.	09724	Washer—Lock (#10)(4)*
3.	20440	Plate—Name (590, 590M, 595, 595M)	30.	07090	Screw—Soc. Hd. (#10-24 x 3/8") (4)*
	20441	Plate—Name (590V)			(Except -M & MV)
4.	09954	Screw—Drive (#0 x 3/16") (2)*		07089	Screw—Soc. Button Hd. (#10-24 x 1/2") (4)*
5.	25973	Lever—Valve	31.	40092	Key—Woodruff
6.	53893	Assy.—Valve	32.	63181	Spindle—Rotor (Incl. 's Fig. 38)
7.	34900	Plunger—Valve	33.	21501	Ring—Retaining
8.	25957	Washer	34.	10228	Bearing—Ball
9.	14350	Valve—Rubber	35.	54753	Spindle—Pad
11.	06672	Screw—Rd. Hd. (#8-32 x 1/4") (2)*	36.	695	5" Back Pad (590, 590M)
12.	30229	Pin—Roll (1/8" x 3/8") (2)*		696	6" Back Pad (595, 595M)
13.	12409	Housing (Incl.'s. Fig's 10 & 45)	37.	10287	Bearing—Ball
14.	21470	Ring—Retaining	38.	10074	Bearing—Needle
15.	33597	Vane—Rotor (Set of 4)	39.	06256	Screw—Button Hd.
16.	54831	Rotor	40.	585V	5" Backing Pad, Vacuum Type, (590V, 590MV)
17.	53909	Assy.—Lower End Plate		583V	6" Backing Pad, Vacuum Type, (595V, 595MV)
18.	14339	Ring—"O"	41.	14194	Vacuum Shroud (-V & -MV)
19.	53910	Assy.—Valve Plunger Guide	42.	35682	Retainer Motor (-V & -MV) (2)*
20.	14311	Ring—"O"	44.	35532	Wrench—1/2" (Not Shown)
21.	53977	Assy.—Exhaust Hose (Except-M & -MV)	46.	25161	Washer
22.	1359	Assy.—Leader Hose (Except -M & -MV)	47.	63242	Assy.—Hose (-M & -MV)
23.	10108	Bearing—Ball	48.	14191	Liner—Silencer (-M & -MV)
24.	11362	Plate—Upper End	49.	54836	Silencer (-M & MV)
25.	53911	Assy.—Cylinder			
26.	30324	Pin—Roll (3/32" x 9/16")			
27.	30235	Pin—Roll (3/32" x 3/8")			

*Order Quantity As Needed

SIOUX TOOLS INC.

2901 FLOYD BOULEVARD ■ SIOUX CITY, IOWA 51102 ■

This pdf incorporates the following model numbers:

590, 590V, 590M, 590MV, 595, 595M, 595MV