



NOTE: Parts are no longer available for this tool.

The manual will continue on the next page.



**SIoux
TOOLS INC.**

2901 FLOYD BOULEVARD ■ SIOUX CITY, IOWA 51102 ■

Form No. A561
Dated 10-77

Parts List For 1476 1/4" Variable Speed Drill, Double Insulated

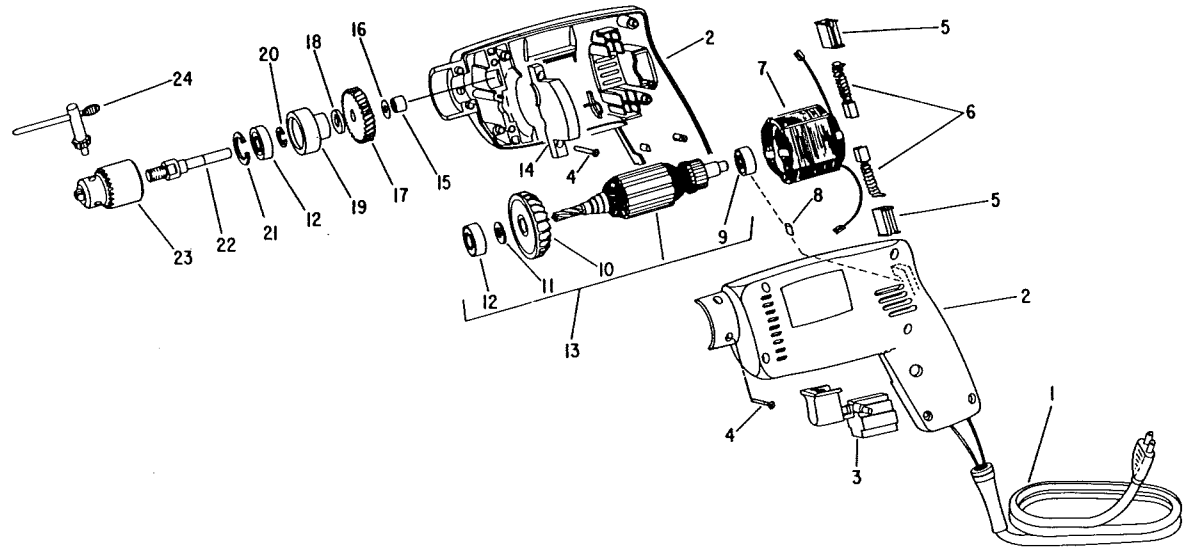


Figure	Part No.	Name	Figure	Part No.	Name
1	1G002	Assy.—Cord	14	1G015	Bracket—Bearing
2	1G003	Housing	15	1G016	Bearing—Needle
3	1G004	Switch	16	1G017	Spring—Saucer
4	1G005	Screw (10)*	17	1G018	Gear—Spindle
5	1G006	Holder—Brush (2)*	18	1G019	Washer
6	1G007	Brush (2)*	19	1G020	Spacer
7	1G008	Field	20	1G021	Ring—Retaining
8	1G009	Stop—Rubber	21	1G022	Ring—Retaining
9	1G010	Bearing—Ball	22	1G023	Spindle
10	1G011	Fan	23	21019	Chuck—1/4"
11	1G012	Washer	24	30202	Key—Chuck
12	1G013	Bearing—Ball (2)*			NOT SHOWN
13	1G014	Assy.—Armature		1G001	Plate—Name

*Order Quantity As Needed

Furnish Catalog, Serial and Model Number When Ordering Parts

This pdf incorporates the following model numbers:

1476