



NOTE: Parts are no longer available for this tool.

The manual will continue on the next page.

SIoux



TOOLS

Conversion Set For 1690, 1692, 1693, 1695, 1541, 1548, 1700, 1705, 1710, 1712 No. 53851

Furnish Catalog, Serial and Model Number When Ordering Parts

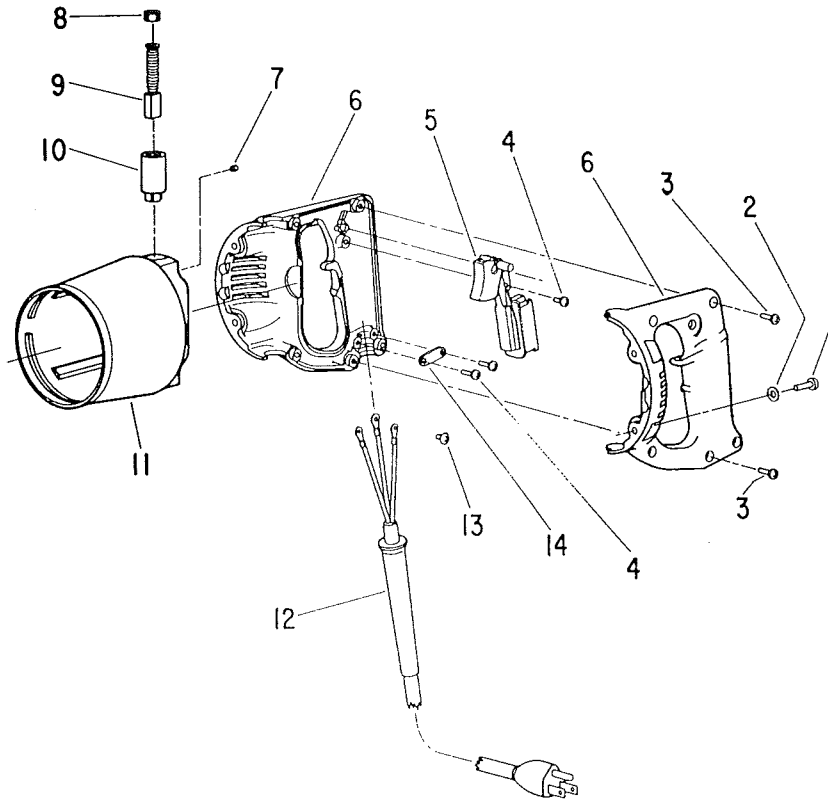


Fig- ure	Part No.	Name	Fig- ure	Part No.	Name
1	07223	Screw—#10 (4)	9	18004	Brush (2)
2	35234	Washer (4)	10	18076	Holder—Brush (2)
3	06370	Screw—#6 (5)	11	12339	Housing (Incl. Figs. 7, 10)
4	06371	Screw—#6 (3)	12	18418	Assy.—Cord
5	18204	Switch	13	07204	Screw—#10
6	53033	Assy.—Handle	14	35233	Strap
7	07000	Screw—Set #10 (2)		35232	Slug—Brg. Knock-Out
8	18120	Cap—Brush Holder (2)		18860	Clip—Terminal (2)

SIoux TOOLS INC.

This pdf incorporates the following model numbers:

1690, 1692, 1693, 1695, 1541, 1548, 1700, 1705, 1710, 1712, 53851