



**NOTE: Parts are no longer available for this tool.**

**The manual will continue on the next page.**

# Parts List for No. 7010 RATCHET WRENCH

Form A531B  
Dated 9/85

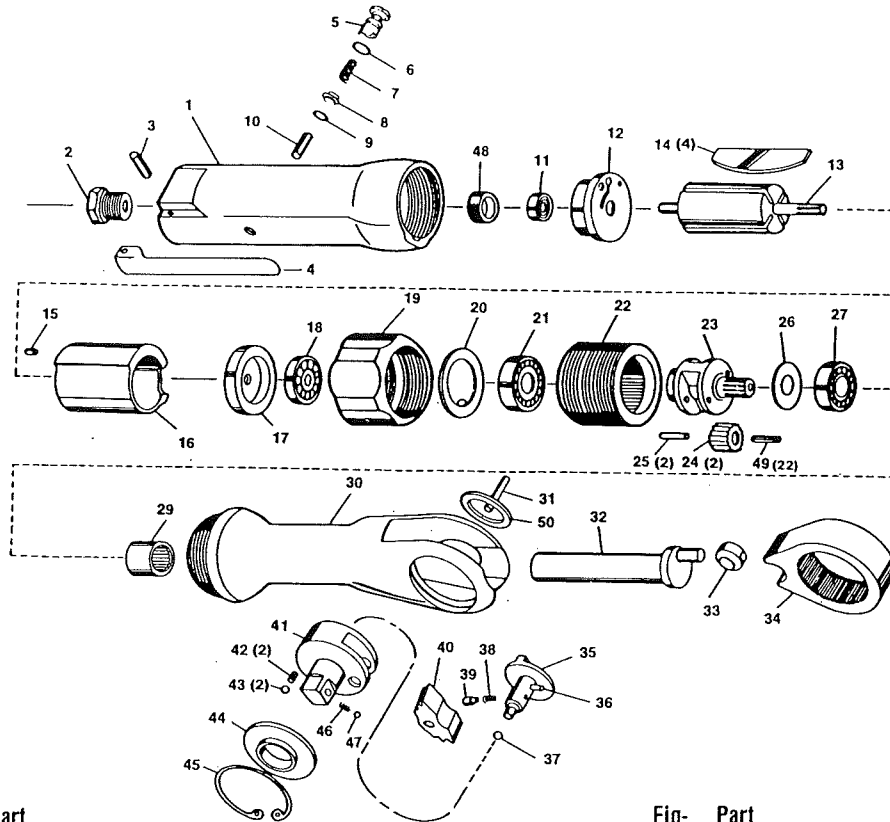


Fig- ure	Part No.	Name	Fig- ure	Part No.	Name
1	1J063	Motor Housing	25	1J079	Planet Pin (2)*
2	1J056	Lever Pin	26	1J082	Washer
3	1J055	Hose Adaptor	27	10259	Ball Bearing
4	1J057	Throttle Lever	29	1J085	Needle Bearing
5	1J062	Valve Screw	30	1J084	Ratchet Housing
6	14290	"O" Ring	31	1J097	Dowel Pin
7	1J060	Spring	32	1J086	Crank Shaft
8	1J427	Throttle Valve	33	1J087	Drive Bushing
9	1J173	"O" Ring	34	1J088	Yoke
10	1J058	Plunger	35	1J089	Reverse Button
11	10256	Ball Bearing	36	1J090	Pin
12	1J067	Rear Plate	37	1J098	Steel Ball
13	1J069	Rotor	38	1J095	Ratchet Spring
14	1J390	Rotor Blade (Set of 4)	39	1J094	Lock Pin
15	1J070	Dowel Pin	40	1J096	Ratchet Pawl
16	1J071	Cylinder	41	1J091	Ratchet Anvil
17	1J072	Front Plate	42	1J092	Spring (2)*
18	10108	Ball Bearing	43	10902	Steel Ball (2)*
19	1J077	Clamp Nut	44	1J100	Thrust Washer
20	1J074	Washer	45	1J101	Retaining Ring
21	10226	Ball Bearing	46	1J588	Spring (Included in/41)
22	1J076	Internal Gear	47	1J589	Ball (Included in/41)
23	1J080	Planet Cage	48	1J064	Bearing Retainer
24	1J075	Planet Gear (2)*	49	1J428	Needle Roller (22)*
			50	1J430	Spacer
			Not Shown		
			1J590 Valve Bushing (Included in /1)		

Furnish Catalog, Serial and Model Number When Ordering Parts  
\*Order Quantity As Needed

**DISTRIBUTED BY SIOUX TOOLS INC.**  
2901 FLOYD BOULEVARD ■ SIOUX CITY, IOWA 51102 ■

This pdf incorporates the following model numbers:

7010