



NOTE: Parts are no longer available for this tool.

The manual will continue on the next page.



Parts List for No. 656G Rocker Arm Attachment

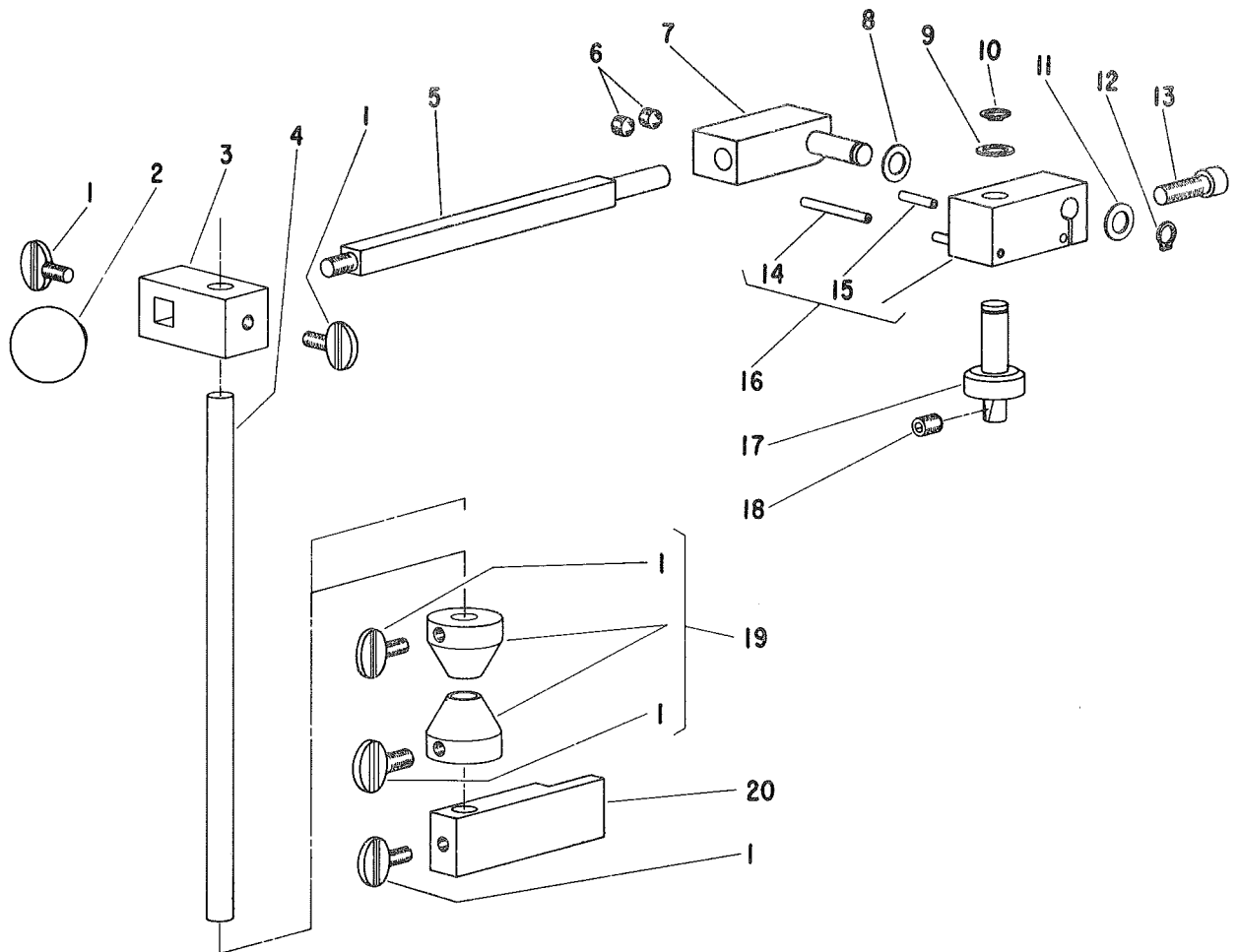


Fig- ure	Part No.	Name
1	08236	Screw—Thumb 1/4 - 20 x 1/2 (5) *
2	14008	Ball—Grip
3	54044	Holder—Arbor
4	54046	Arbor—Cone
5	54045	Arm—Radius
6	08577	Screw—5/16 - 24 x 3/8 (2) *
7	54043	Base—Radius Arm
8	25286	Washer
9	35228	Washer
10	21761	Ring—Retaining

Fig- ure	Part No.	Name
11	25680	Washer
12	21481	Ring—Retaining
13	08836	Screw—5/16 - 18 x 1
14	30748	Pin—Roll
15	30651	Pin—Roll
16	54042	Block—Swivel
17	53047	Ass'm.—Pivot Post & Base
18	98578	Screw—5/16 - 18 x 3/8
19	53790	Ass'y.—Collars
20	54048	Gage—Alignment

Furnish Catalog Number When Ordering Parts.

*Order Quantity As Needed

SIoux TOOLS INC.

2901 FLOYD BOULEVARD ■ P.O. BOX 507 ■ SIOUX CITY, IOWA 51102 ■

This pdf incorporates the following model numbers:

656G