

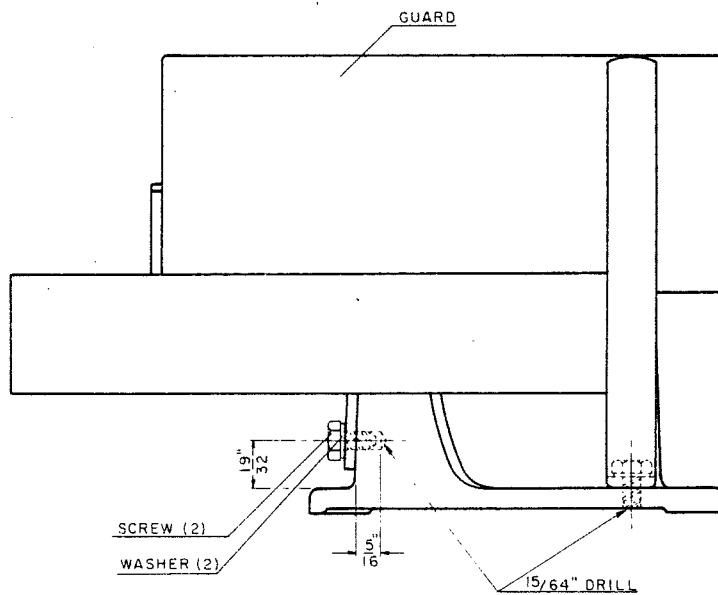
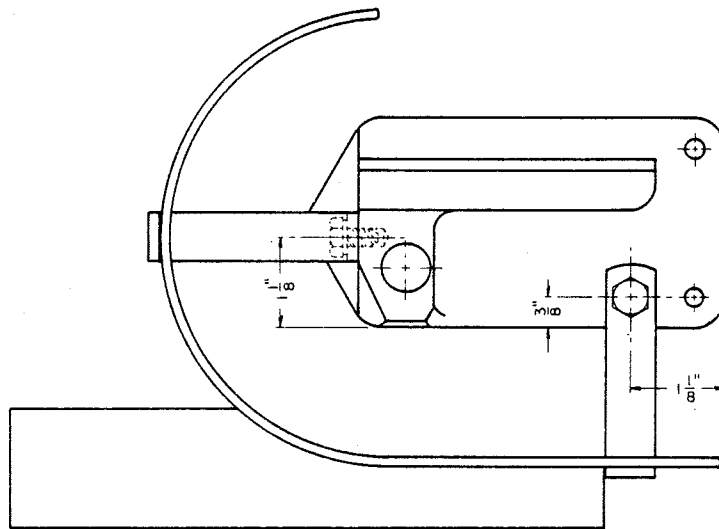


**NOTE: Parts are no longer available for this tool.**

**The manual will continue on the next page.**



# INSTRUCTIONS FOR MOUNTING 1713V GUARD ON 1713C DRESSING STAND



1. Locate & drill two 15/64 dia. holes in base of dressing stand as shown above.
2. Attach guard to base of dressing tool with two 1/4"-20 self tapping screws.
3. Attach 1 1/2" vacuum hose to exhaust tube.

## PARTS LIST

| PART NO. | NAME                     |
|----------|--------------------------|
| 08298    | Screw — 1/4" - 20 x 7/16 |
| 09748    | Washer                   |
| 53727    | Guard                    |

**SIoux  
TOOLS INC.**

This pdf incorporates the following model numbers:

1713V, 1713C