



NOTE: Parts are no longer available for this tool.

The manual will continue on the next page.

SIoux**TOOLS**

Parts List For
1525N, 1525P, 1525PN
1/4" Heavy Duty Electric Drill
(1650 R.P.M.)

Furnish Catalog, Serial and Model Number When Ordering Parts

Fig- ure	Part No.	Name	Fig- ure	Part No.	Name
2	23292	Assy.—Housing (Includes Fig. 3)	26	21553	Fan
3	12007	Cover—Housing	27	06572	Screw—#8 (3)*
4	06577	Screw—#8 (3)*	28	09712	Washer—Lock—#8 (3)*
5	18573	Cord—Electric, With Terminals	29	12003	Cover—Gearcase
	21456	Ring—Clinch	30	10013	Bearing—Needle
6	18152	Switch	31	10001	Bearing—Needle
	21203	Spring—Switch	32	25008	Washer—Thrust (2)*
7	23276	Bracket—Switch	33	19301	Gear—Cluster
8	06076	Screw—#4	34	19004	Gear—Chuck Spindle
9	06224	Screw—#6	35	30001	Key—#2 Woodruff
10	14821	Strip—Insulation	36	24008	Sleeve—Bearing Spacer
11	07133	Screw—#10 (4)*	37	10196	Bearing—Ball
12	23000	Cap—Inspection Hole (2)*	38	22501	Spindle—Chuck
13	06093	Screw—#4 (4)*	39	24009	Pin—Dowel
14	18101	Cap—Brush Holder (2)*	40	12004	Case—Gear
15	18004	Brush—Motor (Pair)	41	23001	Seal—Oil
16	18051	Holder—Brush (2)*	42	21001	Chuck
17	14602	Washer—Fiber (2)*	43	30000	Key—Chuck
18	07000	Screw—#10 (2)*	44	07004	Screw—#10
19	17001	Field (1525P)	45	10000	Bearing—Needle
	17001N	Field (1525N, 1525PN)	46	28041	Suppressor—Radio (1525P, 1525PN)
20	25149	Plate—Baffle		20105N	Plate—Name (1525N)
21	07117	Screw—#10 (2)*		20105P	Plate—Name (1525P)
22	09724	Washer—Lock—#10 (2)*		20105PN	Plate—Name (1525PN)
24	10204	Bearing—Ball (2)*		09954	Screw—Drive (2)*
25	16751	Assy.—Armature with Fan & Bearings (1525P)		21329	Spring—Brush Holder (2)*
	16751N	Assy.—Armature With Fan & Bearings (1525N, 1525PN)		14266	Protector—Cord
				14272	Holder—Key

* Order Quantity As Needed

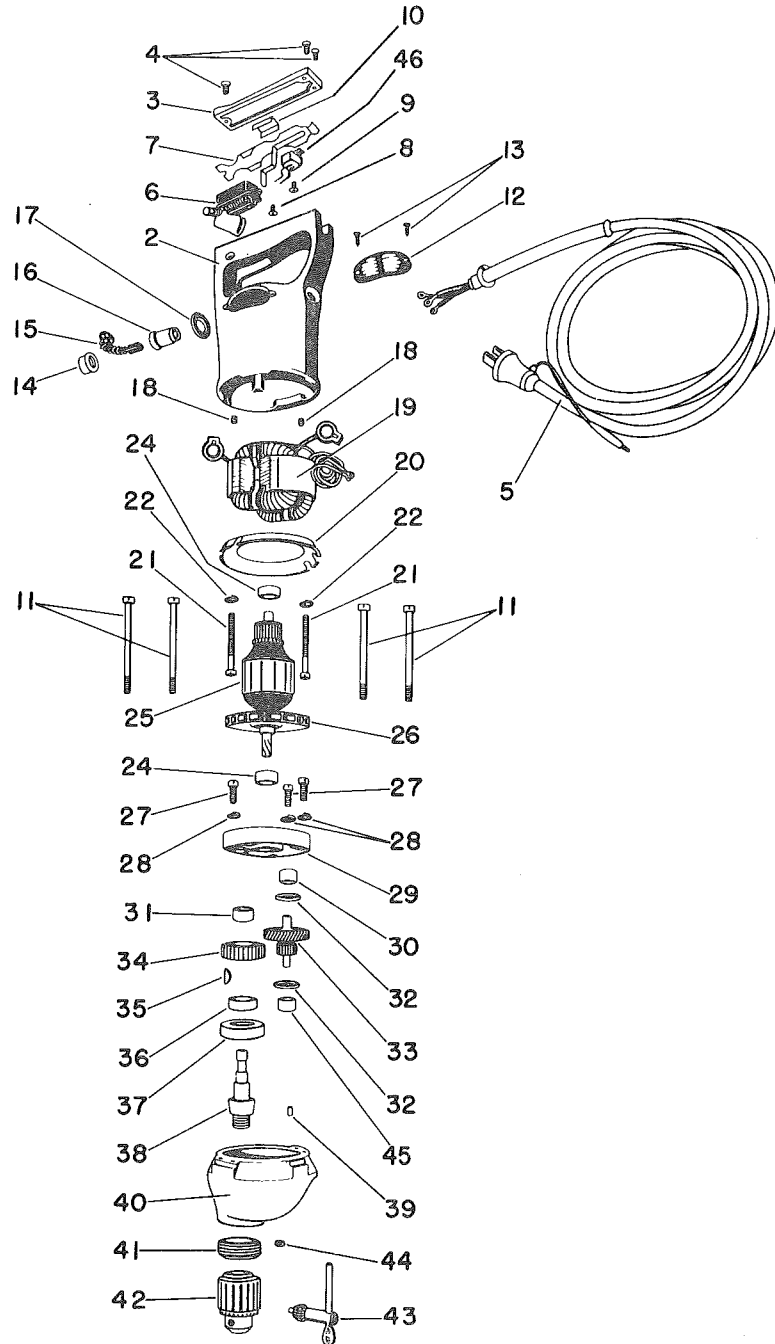
SIoux TOOLS INC.
SIoux CITY, IOWA, U.S.A. 51102

SIoux



TOOLS

**Parts List For
1525N, 1525P, 1525PN
1/4" Heavy Duty Electric Drill
(1650 R.P.M.)**



Furnish Catalog, Serial and Model Number When Ordering Parts

This pdf incorporates the following model numbers:

1525N, 1525P, 1525PN