



**NOTE: Parts are no longer available for this tool.**

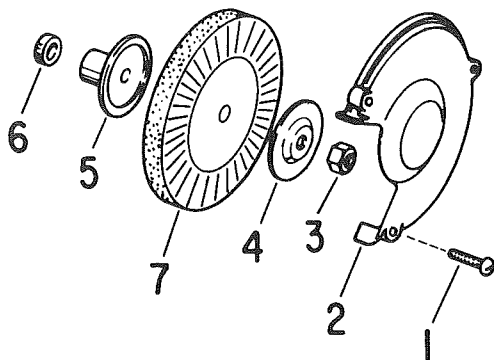
**The manual will continue on the next page.**

**SIoux**



**TOOLS**

## INSTRUCTIONS FOR INSTALLING No. 451 WIRE BRUSH WITH SPACER



TO POSITION THE WIRE BRUSH CAT. No. 451 ON THE SPINDLE, IT IS NECESSARY TO PROPERLY INSTALL THE SPACER PART No. 54529 (FIG. No. 6) BETWEEN THE BEARING AND INNER FLANGE (FIG. No. 5).

DISASSEMBLE ITEMS. (FIG. No's. 1 THRU 5), THEN REASSEMBLE AS FOLLOWS: ADD SPACER PART No. 54529 (FIG. No. 6), INNER FLANGE (FIG. No. 5), WIRE BRUSH CAT. No. 451 (FIG. No. 7), OUTER FLANGE (FIG. 4) TO THE SPINDLE AND SECURE WITH NUT (FIG. No. 3). THEN ADD WHEEL GUARD COVER (FIG. No. 2) AND SECURE WITH (3) SCREWS (FIG. No. 1).

**SIoux TOOLS INC.**  
SIoux CITY, IOWA, U.S.A. 51102

This pdf incorporates the following model numbers:

451, 2078