



**NOTE: Parts are no longer available for this tool.**

**The manual will continue on the next page.**

# SIoux



# TOOLS

## BENCH GRINDER Parts List for 2081

Furnish Catalog and Serial Number When Ordering Parts

Fig- ure	Part No.	Name	Fig- ure	Part No.	Name
1	17128	Field (Single Phase)†	30	04257	Bumper—Rubber (4)
2	16128	Armature (Single Phase)†	31		Bolt—Carriage ( $\frac{3}{8}$ "-16 x $1\frac{1}{2}$ " (4)
3	12620	End Shield (2)*	32		Bolt—Hex Hd. ( $\frac{3}{8}$ "-16 x $\frac{7}{8}$ " (6)
4	12622	Guard—Wheel (L.H.)	33		Bolt—Hex Hd. ( $\frac{1}{4}$ "-20 x $\frac{1}{2}$ " (2)
5	12623	Guard—Wheel (R.H.)	34		Nut—Hex ( $\frac{3}{8}$ "-16) (4)
6	12624	Cover—Wheel Guard	35	25900	Washer (4)*
7	12624	Cover—Wheel Guard (Same as Fig. 6)	36		Washer—Lock ( $\frac{1}{4}$ " (2)
8	18890	Switch—Stationary (Single Phase)	37		Washer—Lock ( $\frac{3}{8}$ " (6)
9	18891	Switch—Rotating (Single Phase)	38		Screw—Flat Hd. (#10-32 x $\frac{1}{2}$ " (Single Phase)
10	12628	Base	39		Screw—Pan Hd. Brass (#8-32 x $\frac{3}{8}$ "
11	18208	Switch (On-Off) (Single Phase)	40		Screw—Pan Hd. (#8-32 x $\frac{3}{8}$ " (2)
	18212	Switch (On-Off) (3 Phase)	41		Screw—Pan Hd. (#8-32 x $\frac{3}{8}$ " (2) [Same as Fig. 40] (Single Phase)
12	18819	Capacitor (Single Phase)	42		Nut—Hex ( $\frac{5}{16}$ "-18) (2)
13	25902	Bracket—Capacitor (Single Phase)	43	25127	Washer (2)*
†† 14		Tool Rest—L.H.	44		Screw—Rd. Hd. ( $\frac{1}{4}$ "-20 x $\frac{7}{8}$ " (12)
†† 15		Tool Rest—R.H.	45		Washer—Lock ( $\frac{1}{4}$ " (12) [Same as Fig. 36]
16	35389	Guard—Spark (2)*	†† 46		Support—Tool Rest (2)*
17	10280	Bearing (2)	47		Nut—Lock (#10-32) (4)
18	12634	Flange—Wheel (4)*	48		Bolt—Carriage ( $\frac{5}{16}$ "-18 x $1\frac{3}{8}$ " (2)
19	54507	Sleeve—Spacer (2)*	49		Bolt—Carriage ( $\frac{5}{16}$ "-18 x 1" (2)
21	09681	Nut—Hex ( $\frac{3}{4}$ "-16, L.H.)	50	2016	Shield—Eye (Set of 2)
22	09680	Nut—Hex ( $\frac{3}{4}$ "-16, R.H.)	51	2016A	Glass—Safety Plate (2)*
23	35377	Cover—Base		2064	Assy.—Flexible Light (2)*
24	41299	Spring—Finger (Same as Fig. 28)			
25	2052	Wheel—Grinding (Fine)			
26	2051	Wheel—Grinding (Medium)			
27	18424	Cord (115V)			
	18424J	Cord (230V)			
28	41299	Spring—Finger			
29	07197	Bolt—Thru (#10-32 x 11") (4)*			

\* Order Quantity As Needed

† For units other than 115 Volt, 60 Hertz (Cycle) and Single Phase--The Voltage, Hertz (Cycle) and Phase **MUST BE SPECIFIED** when ordering these parts.

†† NOT AVAILABLE INDIVIDUALLY ORDER ASS'Y, PT. NO. 63072

## SIoux TOOLS INC.

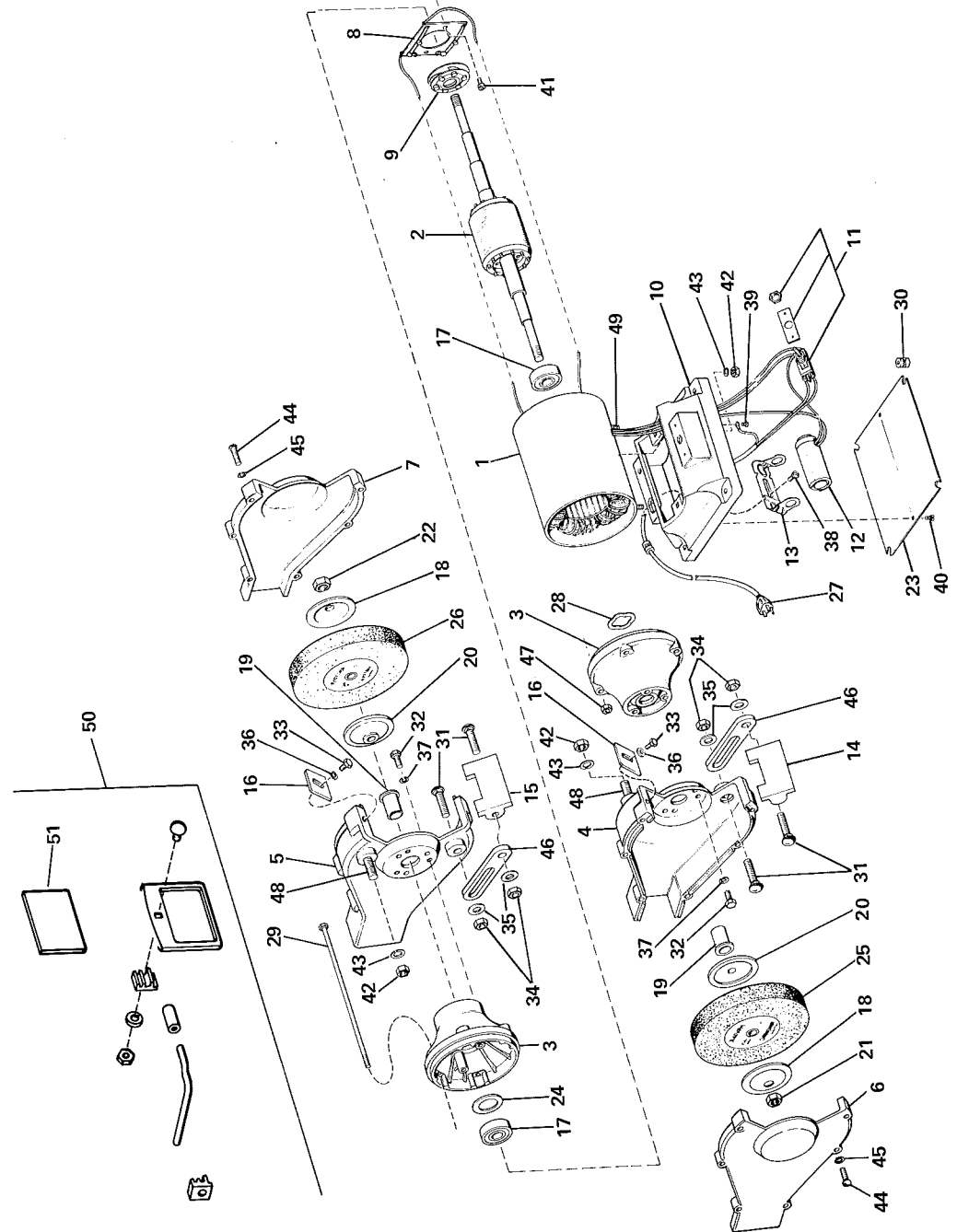
SIoux CITY, IOWA, U.S.A. 51102

# SIoux



# TOOLS

## BENCH GRINDER Parts List for 2081



Furnish Catalog and Serial Number When Ordering Parts

This pdf incorporates the following model numbers:

2081