



NOTE: Parts are no longer available for this tool.

The manual will continue on the next page.

SIoux**TOOLS**

**Parts List for
HEAVY DUTY AIR DRIVERS
No's. 1796L†, 1796, 1797, and 1798**

(SERIAL NO'S. STARTING WITH "B")

Furnish Catalog and Serial Number When Ordering Parts

Fig- ure	Part No.	Name	Fig- ure	Part No.	Name
1	54503	Case—Bearing (1796, 1797, 1798) (L.H. Thd.)		43391	Assy.—Governor (1798—4000 R.P.M.) (L.H. Thd.)
2	30356	Fitting—Grease (2)*	32	14799	Gasket—Handle
3	34992	Key—Rotor	33	43161	Assy.—Governor Valve
4	09501	Nut—Hex (1/4"-28) (8)*	34	14345	Ring—"O"
5	09750	Washer—Lock (1/4") (16)*	35	44253	Oiler Screw & "O" Ring
6	33837	Vane—Rotor (Set of 4)	36	14369	Ring—"O"
7	34991	Key—Cylinder	37	08232	Screw (1/4"-20) (8)*
8	34984	Cylinder	38	14344	Seat—Throttle Valve
9	08772	Screw—Hex. Hd. (5/16"-18)	39	10294	Ball—Steel (3/4")
10	09550	Nut—Hex. (5/16"-18)	40	21396	Spring
11	12769	Housing	41	33843	Assy.—Bushing & Retainer
12	33734	Plate—Top End	42	33736	Screen
13	10175	Bearing—Ball	43	21512	Ring—Retaining
14	21390	Spring—Gov. (1796L, 1796—8000 R.P.M.) (1797—6000 R.P.M.) (Brown)	44	21418	Spring—Tapered
	21399	Spring—Gov. (1798—4000 R.P.M.) (Black)	45	44011	Retainer—Seat
			46	33735	Handle (Incl's Fig. 35)
			47	44042	Pin
15	30362	Pin—Roll (1/8" x 13/16") (2)*	48	35009	Lever—Throttle
16	11514	Weight—Gov. (1797—6000 R.P.M.) (1798—4000 R.P.M.) (2)*	49	14039	Button—Throttle
	11517	Weight—Gov. (1796L, 1796— 8000 R.P.M.) (2)*	50	33848	Assy.—Plunger & "O" Ring
			51	14349	Ring—"O"
			52	34985	Rotor
17	30452	Pin—Roll (5/64" x 13/16")	53	63083	Plate—Bottom End
18	43273	Spindle—Governor	54	35088	Stop—Bearing
19	34996	Body—Governor (L.H. Thd.)	55	10195	Bearing—Ball
20	44037	Spacer—Gov. Weight (1796L, 1796—8000 R.P.M.) (4)*	56	44285	Spindle—Rotor
			57	44281	Spacer—Housing
21	13164	Nut—Governor Adjusting	58	10167	Bearing—Ball
22	54782	Lever—Governor Valve	59	44269	Spacer—Bearing
23	54786	Lever—Governor	60	21419	Spring
24	12765	Housing—Governor	61	43046	Spindle—Tool
25	08272	Screw—Socket Hd. Cap (1/4"-28) (4)*	62	10245	Bearing—Ball
			63	43124	Tube—Drive (1796L)
26	21420	Bail	64	21342	Spring (1796L)
27	44277	Bushing—Gov. Housing (2)*	65	43125	Tube—Outer (1796L) (L.H. Thd.)
28	30400	Pin (1/8" x 1 1/4")	66	44271	Sleeve—Bearing (1796L) (L.H. Thd.)
29	30424	Pin (1/8" x 1 3/8")	67	35087	Bracket—Dead Handle
30	14862	Gasket	68	12257	Handle—Auxiliary
31	43390	Assy.—Governor (1796L, 1796— 8000 R.P.M.) (L.H. Thd.)	69	08231	Screw (1/4"-20) (4)*
	63082	Assy.—Governor (1797—6000 R.P.M.) (L.H. Thd.)		20415	Plate—Name
				06000	Screw—Name Plate (4)*

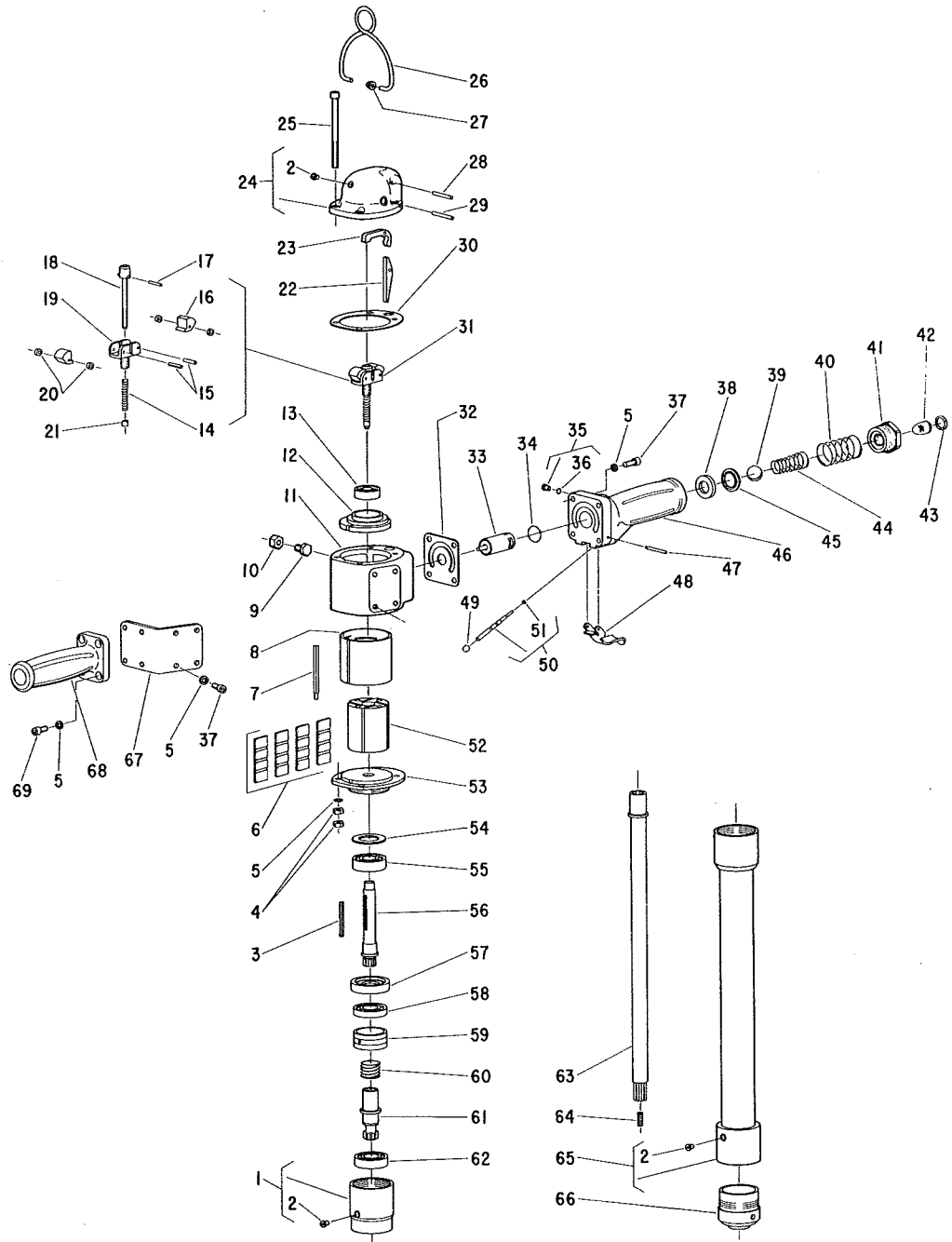
* Order Quantity Needed

† Formerly known as 1796 SP (Ser No's 63 up to those starting with "B")

**SIoux TOOLS INC.
SIoux CITY, IOWA, U.S.A. 51102**

Parts List for HEAVY DUTY AIR DRIVERS No's. 1796L†, 1796, 1797, and 1798 (SERIAL NO'S. STARTING WITH "B")

† Formerly known as 1796 SP (Ser No's 63 up to those starting with "B")



Furnish Catalog and Serial Number When Ordering Parts

THE USE OF SIOUX AUTHORIZED SERVICE CENTERS IS RECOMMENDED.

This pdf incorporates the following model numbers:

1796L, 1796, 1797, 1798