



**NOTE: Parts are no longer available for this tool.**

**The manual will continue on the next page.**



## Parts List for No. 53626 Housing Conversion Kit For Units 470, 471, 473, 474

(FOR ALL SERIAL NO'S.)

† Keep this Parts List for future reference

Furnish Catalog, Serial and Model Number When Ordering Parts

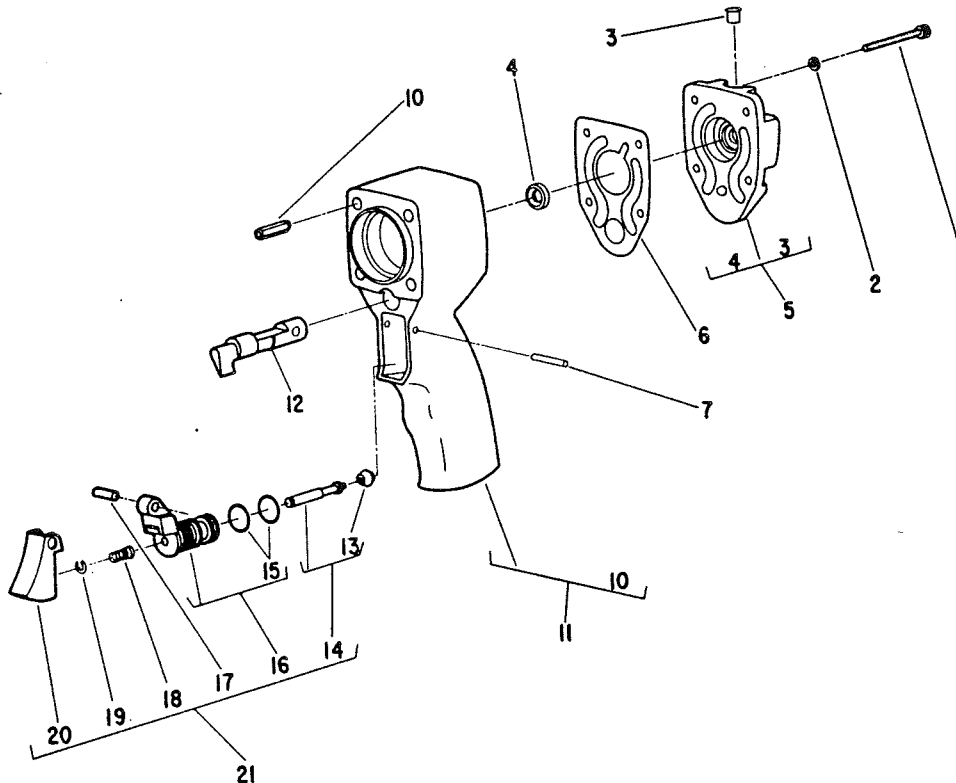


Fig- ure	Part No.	Name	Fig- ure	Part No.	Name
1	06603	Screw (4)*	12	11581	Valve—Reversing
2	09712	Washer (4)*	13	14325	Valve
3	30356	Fitting—Grease	14	53246	Assy.—Plunger Valve
4	30498	Seal	15	14312	Ring—“O” (2)*
5	53215	Assy.—Back Cap	16	53258	Assy.—Valve Body “O” Rings
6	14798	Gasket	17	44754	Bushing
7	30322	Pin	18	21401	Spring
10	44106	Insert (4)*	19	21542	Ring—Retainer
11	12354	Housing	20	53182	Assy.—Adjustable Trigger
			21	53245	Assy.—Adjustable Throttle Valve

\*Order Quantity As Needed

†Original housing assemblies, part no's. 43157 and 43158 are no longer available. They are replaced with a housing conversion kit 53626.

Use this parts list when ordering parts for the new housing.

Retain this parts list for future reference as the serial number stamped on the hammer case will not coincide with the parts used in the new housing assembly.

**SIoux TOOLS INC.**  
SIoux CITY, IOWA, U.S.A. 51102



This pdf incorporates the following model numbers:

53626, 470, 471, 473, 474