



**NOTE: Parts are no longer available for this tool.**

**The manual will continue on the next page.**



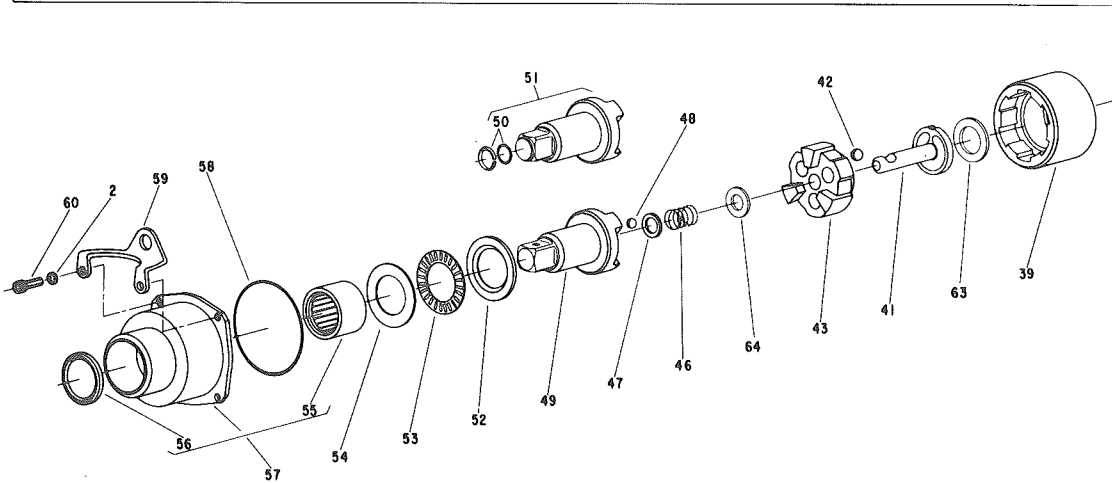
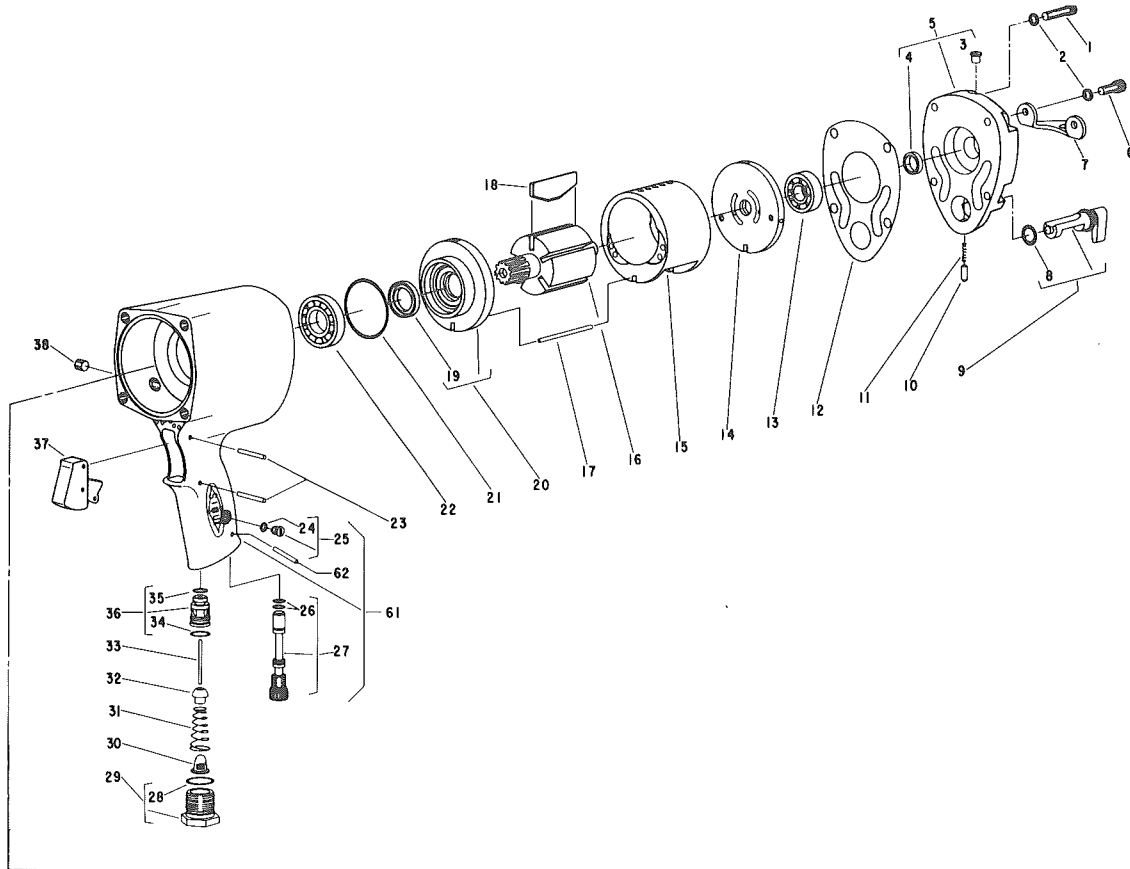
**SIoux**  
**TOOLS INC.**

2901 FLOYD BOULEVARD ■ SIOUX CITY, IOWA 51102 ■

Form A381B  
Dated 8/81  
E.D. 8/81

## Parts List for No's 4038, 4039 and 4040 AIR IMPACT WRENCHES

Ser. No's. Starting With "B"



Furnish Catalog and Serial Number When Ordering Parts

# Parts List for No's 4038, 4039 and 4040

## AIR IMPACT WRENCHES

Ser. No's. Starting With "B"

Furnish Catalog and Serial Number When Ordering Parts

| Fig-<br>ure | Part<br>No. | Name                     | Fig-<br>ure | Part<br>No. | Name                                  |
|-------------|-------------|--------------------------|-------------|-------------|---------------------------------------|
| 1           | 08288       | Screw—Soc. Hd. Cap (4)*  | 33          | 54464       | Rod—Valve                             |
| 2           | 09753       | Washer—Lock (10)*        | 34          | 14309       | Ring—"O"                              |
| 3           | 30356       | Fitting—Grease           | 35          | 14311       | Ring—"O"                              |
| 4           | 30741       | Seal—Oil                 | 36          | 53606       | Assy.—Valve Body & "O" Ring           |
| 5           | 12357       | Cap—Back                 | 37          | 33967       | Assy.—Trigger                         |
| 6           | 08229       | Screw—Soc. Hd. Cap (2)*  | 38          | 30246       | Plug—Pipe (Used on Some Early Models) |
| 7           | 35374       | Bail—Vertical            | 39          | 54460       | Hammer                                |
| 8           | 14312       | Ring—"O"                 | 41          | 54457       | Cam                                   |
| 9           | 53619       | Assy.—Reversing Valve    | 42          | 10305       | Ball—Steel 3/8" Dia.                  |
| 10          | 54445       | Pin—Detent               | 43          | 54458       | Hammer—Auxiliary                      |
| 11          | 41297       | Spring                   | 46          | 41281       | Spring                                |
| 12          | 05011       | Gasket                   | 47          | 25921       | Washer—Thrust                         |
| 13          | 10175       | Bearing—Ball             | 48          | 10322       | Ball—Steel 5/16" Dia.                 |
| 14          | 11416       | End Plate—Rear           | 49          | 54475       | Anvil 3/4" Sq. (4038)                 |
| 15          | 54456       | Cylinder                 |             | 54476       | Anvil 3/4" Sq. (4040)                 |
| 16          | 54455       | Rotor                    | 50          | 53608       | Assy.—Soc. Retainer & "O" Ring (4039) |
|             | 13264       | Plug—Rotor (5)*          | 51          | 53582       | Assy.—Anvil & Friction Lock (4039)    |
| 17          | 54449       | Pin—Guide                |             | 53583       | Assy.—Anvil & Friction Lock (4040)    |
| 18          | 53605       | Vane—Rotor (Set of 5)    | 52          | 54453       | Washer                                |
| 19          | 30740       | Seal—Oil                 | 53          | 10063       | Bearing—Needle Thrust                 |
| 20          | 11415       | End Plate—Front          | 54          | 10064       | Race—Thrust                           |
| 21          | 04206       | Ring—"O"                 | 55          | 10062       | Bearing—Needle                        |
| 22          | 10167       | Bearing—Ball             | 56          | 30733       | Seal—Oil                              |
| 23          | 30347       | Roller—Torr. (2)*        | 57          | 53591       | Assy.—Hammer Case                     |
| 24          | 14369       | Ring—"O"                 | 58          | 04249       | Ring—"O"                              |
| 25          | 44253       | Assy.—Oiler Screw        | 59          | 35356       | Bail—Horizontal                       |
| 26          | 14291       | Ring—"O" (2)*            | 60          | 08229       | Screw—Soc. Hd. Cap (4)*               |
| 27          | 53098       | Assy.—Regulator          | 61          | 53584       | Ass'y.—Regulator & Housing            |
| 28          | 04216       | Ring—"O"                 | 62          | 30219       | Pin—Roll                              |
| 29          | 53607       | Assy.—Adaptor & "O" Ring | 63          | 54542       | Washer                                |
| 30          | 33993       | Assy.—Air Screw          | 64          | 54539       | Washer                                |
| 31          | 21413       | Spring—Valve             |             |             |                                       |
| 32          | 14372       | Valve                    |             |             |                                       |

\*Order Quantity As Needed



**SIoux  
TOOLS INC.**

2901 FLOYD BOULEVARD ■ SIOUX CITY, IOWA 51102 ■

PRINTED IN U.S.A.

This pdf incorporates the following model numbers:

4038, 4038, 4040