



**NOTE: Parts are no longer available for this tool.**

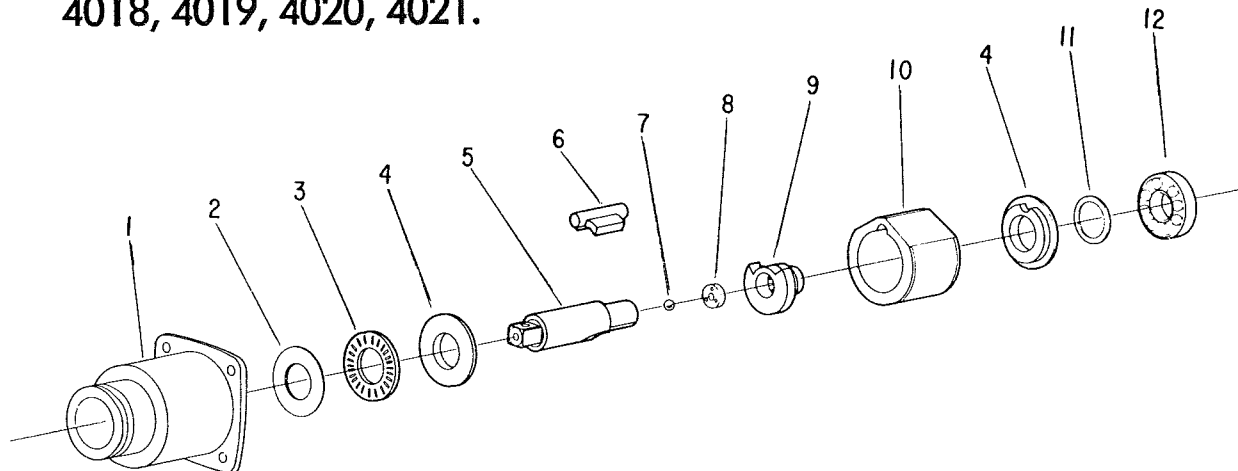
**The manual will continue on the next page.**



# KIT TO CONVERT TO "A" STYLE MECHANISM



**IMPACT MECHANISM KIT FOR THE FOLLOWING TOOLS:**  
 4001, 4002, 4003, 4007, 4008, 4009, 4010, 4011, 4012, 4016, 4017,  
 4018, 4019, 4020, 4021.



## INSTRUCTIONS:

The kit consists of (2) guide sleeves Fig. #4, hammer frame Fig. #10, hammer Fig. #6, and anvil Fig. #5. The anvil or anvil assembly will have a different number depending on the tool configuration. 54430—1/4" Hex Quick Change; 53513—1/2" Sq. 2" Ext.; 53514—1/2" Sq.; 53515—3/8" Sq. 2" Ext.; 53516—3/8" Sq.

This conversion should be made by qualified mechanics or at authorized Sioux Service Stations.

Remove air hose from tool.

Remove hammer case Fig. #1 from tool. Remove thrust bearing and race, Fig. 2 & 3. On straight tools. 4002, 4003, 4009, 4010, 4011, 4012, 4018, 4019, 4020 & 4021 the following procedure will be necessary to disassemble tool to install kit:

Remove air inlet fitting.

Remove back cap and gasket.

Remove hammer mechanism & motor as one assembly.

Replace new mechanism parts and reassemble in the reverse order.

**NOTE:** It will be necessary to remove the bit retainer from anvils for hex drive tools in order to remove the anvil from the hammer case. A reverse procedure will be required to reassemble these tools.

Remove impact mechanism which includes: 1 anvil Fig. #5, hammer frame Fig. #10, 2 guide sleeves Fig. #4, hammer Fig. #6, cam Fig. #9, washer Fig. #11 and bearing Fig. #12.

Remove bearing and washer from cam and guide sleeve. Discard old anvil, 2 guide sleeves, hammer frame and hammer. Keep thrust disc Fig. #8 and ball Fig #7 for use with new mechanism.

Reassemble as follows:

Place cam Fig. #9 through new guide sleeve Fig. #4 (54425), place washer Fig. #11 on cam and press bearing Fig. #12 on cam. **NOTE:** make sure washer is properly seated on cam prior to pressing bearing in place.

Grease hammer, anvil and all moving parts with Sioux #1232 grease. Re-assemble the parts in the reverse order using new parts Fig. #4 (54425 guide sleeve), Fig. #10 (54426 hammer frame), Fig. #6 (54429 hammer) and anvil or anvil assy. Fig. #5 as required.

After installing kit, hand stamp the letter "A" behind tool number. Example: 4016A.

**SIoux TOOLS INC.**  
 Sioux City, Iowa, U.S.A. 51102

1

2

3

4

5

6

This pdf incorporates the following model numbers:

4001, 4002, 4003, 4007, 4008, 4009, 4010, 4011, 4012, 4016, 4017, 4018, 4019, 4020, 4021