



NOTE: Parts are no longer available for this tool.

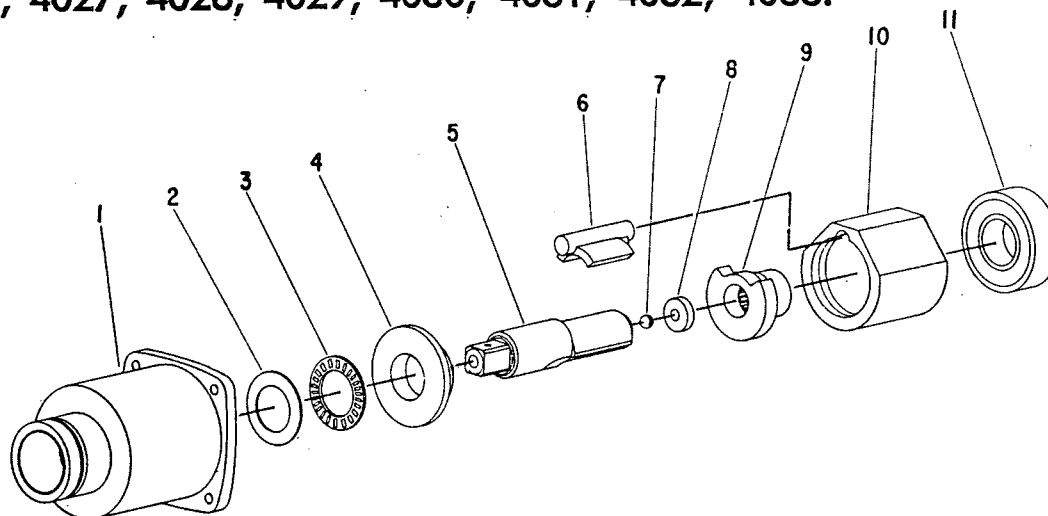
The manual will continue on the next page.



KIT TO CONVERT TO "A" STYLE MECHANISM



IMPACT MECHANISM KIT FOR THE FOLLOWING TOOLS:
4026, 4027, 4028, 4029, 4030, 4031, 4032, 4033.



INSTRUCTIONS:

The kit consists of 1 guide sleeve Fig. #4, a hammer frame Fig. #10, a hammer Fig. #6, a cam Fig. #9 and anvil Fig. #5.

The anvil or anvil assembly will have a different number depending on the tool configuration.
53604—1/2" Sq.; 53495—1/2" Sq. 3" Ext.; 53496—1/2" Sq. 6" Ext.; 53527—#2 Spline, 3" Ext.; 54415
—7/16" Hex Quick Change; 53494—5/8" Sq.; 53497—5/8" Sq. 3" Ext.; 53498 5/8" Sq. 6" Ext.

This conversion should be made by qualified mechanics or at authorized Sioux Service Stations.

Remove Air hose from tool.

Remove hammer case Fig. #1 from tool. Remove thrust bearing Fig. #3 and race Fig. #2.

NOTE: It will be necessary to remove the bit retainer from anvils for hex drive tools in order to remove the anvil from the hammer case. A reverse procedure will be required during re-assembly of these tools.

Remove impact mechanism which includes: Anvil Fig. #5, guide sleeve Fig. #4, hammer frame Fig. #10, hammer Fig. #6 and cam Fig. #9.

Keep thrust disc Fig. #8 and ball Fig. #7 for use with new parts. Discard old anvil, guide sleeve, hammer frame, hammer and cam.

Reassemble parts in the reverse order using new parts Fig. #4 (54402 guide sleeve), Fig. #10 (54403 hammer frame), Fig. #6 (54404 hammer), Fig. #9 (54245 Cam) and Fig. #5 anvil or anvil assembly as required. Use bearing Fig. #11 over again after cleaning.

During assembly grease hammer, anvil and all moving parts with Sioux #1232 grease.

After installing kit, hand stamp the letter "A" behind tool number. Example: 4026A

SIoux TOOLS INC.

Sioux City, Iowa, U.S.A. 51102



This pdf incorporates the following model numbers:

4026, 4027, 4028, 4029, 4030, 4031, 4032, 4033