



NOTE: Parts are no longer available for this tool.

The manual will continue on the next page.



SIoux TOOLS INC.

2901 FLOYD BOULEVARD ■ SIOUX CITY, IOWA 51102 ■

Form A349B
Dated 10/80
E.D. 10/80

No. 580 Air Sander

Serial No.'s Starting With "B"

Furnish Catalog, Serial and Model Number When Ordering Parts

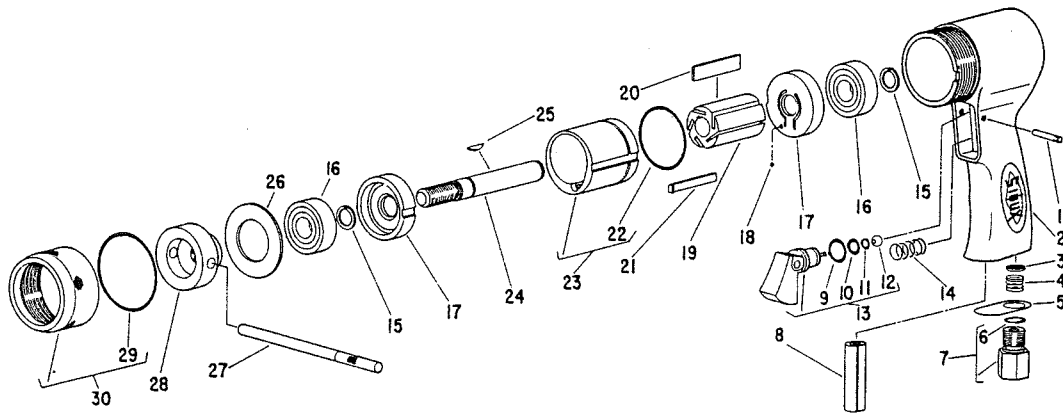


Figure	Part No.	Name
1	30322	Pin-Groove
2	12416	Housing
3	30463	Screen
4	41220	Spring
5	30717	Screen-Exhaust
6	14290	Ring-"O"
7	53489	Assy.-Adapter
8	14123	Pad-Silencer
9	14312	Ring-"O"
10	14311	Ring-"O"
11	14323	Ring-"O" (on earlier tools only)
12	04241	Ball
13	53464	Assy.-Trigger
14	41295	Spring
15	21781	Ring-Retaining (2)
16	10275	Bearing-Ball (2)*

Figure	Part No.	Name
17	10542	Plate-End (2)*
18	10298	Ball
19	10534	Rotor
20	53490	Assy.-Vane (Set of 5)
21	35336	Key
22	14313	Ring-"O"
23	53984	Cylinder
24	54370	Shaft
25	40092	Key-Woodruff
26	35335	Spacer
27	54378	Lever
28	54371	Hub-Backing
29	04206	Ring-"O"
30	53491	Assy.-Lock Ring
		COMPLETE ASSY.
	53974	Assy.-Housing (Incl. Figs. 1-14)

*Order Quantity Needed

DISTRIBUTED BY SIOUX TOOLS, INC.

2901 FLOYD BOULEVARD ■ SIOUX CITY, IOWA 51102 ■

PRINTED IN U.S.A.



This pdf incorporates the following model numbers:

580