



NOTE: Parts are no longer available for this tool.

The manual will continue on the next page.

SIoux

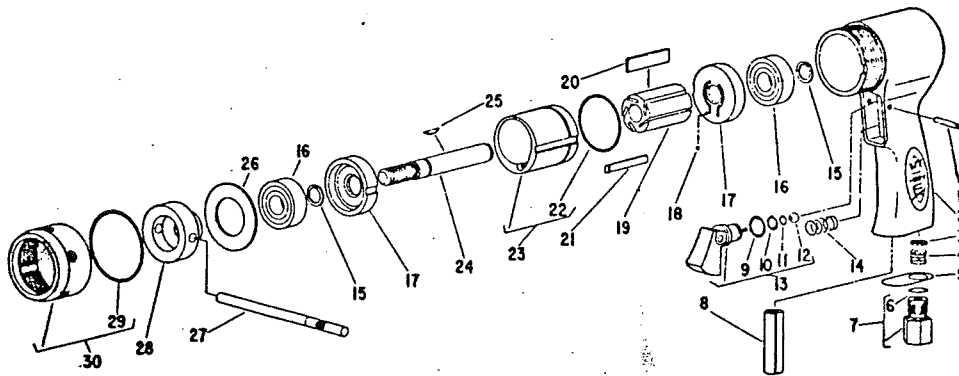


TOOLS

No. 580 Air Sander

Type 1 SERIAL 100 Up To "B"

Furnish Catalog and Serial Number When Ordering Parts



1	30322	Pin—Groove	16	10196	Bearing—Ball (2)*
2	12382	Housing	17	10536	Plate—End (2)*
3	30463	Screen	18	10298	Ball
4	41220	Spring	19	10534	Rotor
5	30717	Screen—Exhaust	20	53490	Assy.—Vane (Set of 5)
6	14290	Ring—"O"	21	35336	Key
7	53489	Assy.—Adapter	22	14313	Ring—"O"
8	14123	Pad—Silencer	23	53492	Cylinder
9	14312	Ring—"O"	24	54370	Shaft
10	14311	Ring—"O"	25	30001	Key—Woodruff
11	14323	Ring—"O" (on earlier tools only)	26	35335	Spacer
12	04241	Ball	27	54378	Lever
13	53464	Assy.—Trigger	28	54371	Hub—Backing
14	41295	Spring	29	04206	Ring—"O"
15	21781	Ring—Retaining (2)	30	53491	Assy.—Lock Ring

COMPLETE ASSY.

53465 Assy.—Housing (Incl. Figs. 1-14)

* Order Quantity Needed

SIoux TOOLS INC.
SIoux CITY, IOWA, U.S.A. 51102

1

2

3

4

5

6

This pdf incorporates the following model numbers:

580