



NOTE: Parts are no longer available for this tool.

The manual will continue on the next page.

SIoux



TOOLS

Parts List for No. 53479 HOUSING CONVERSION KIT For UNITS 315, 316, 317, 318, AIR IMPACT WRENCHES And No. 312, 312B SCREW DRIVER

(For All Serials Up To Those Starting With "D")

*Keep This Parts List For Future Reference

Furnish Catalog, Serial and Model Number When Ordering Parts

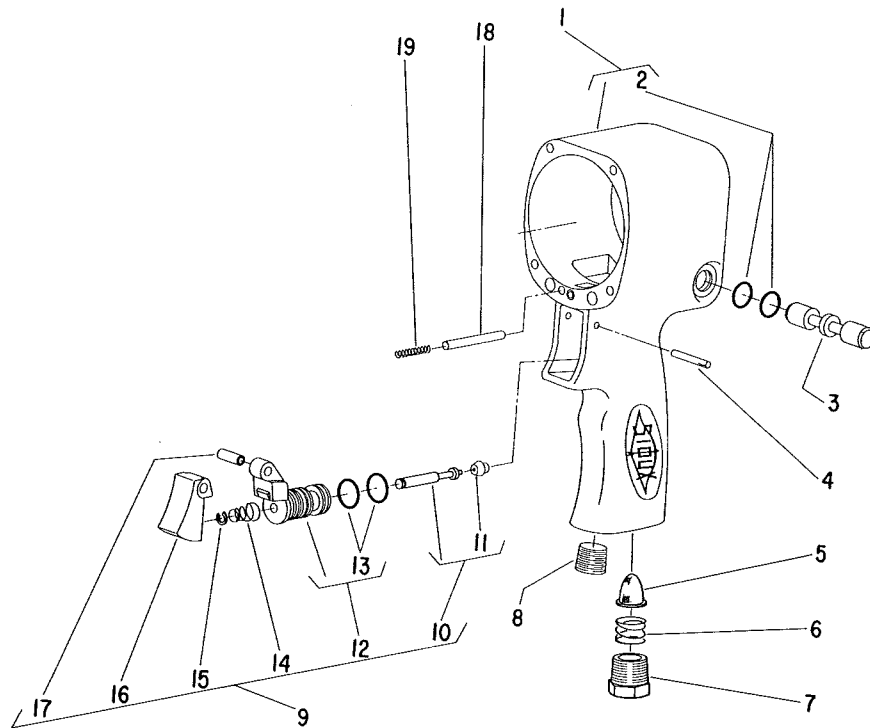


Fig- ure	Part No.	Name	Fig- ure	Part No.	Name
1	53478	Assy.—Housing (Incl's. Fig. 8)	11	14325	Valve
2	04220	Ring—"O" (2)	12	53258	Assy.—Valve Body & "O" Ring
3	44853	Valve—Reversing	13	14312	Ring—"O" (2)
4	30613	Pin—Groove	14	21401	Spring
5	33993	Screen—Air	15	21542	Ring—Retaining
6	21417	Spring	16	53182	Assy.—Adjustable Trigger
7	44100	Bushing—Reducing	17	44754	Bushing
8	30359	Plug—Pipe	18	44852	Plunger—Rev. Valve Stop
9	53245	Assy.—Throttle Valve	19	41222	Spring—Rev. Valve Stop
10	53246	Assy.—Valve			

*Original Housing Assemblies, Part No's. 33667 and 43722 are no longer available. They are replaced with a Housing Conversion Kit which includes a throttle adjustment built into the trigger.

Use this parts list when ordering parts for the new housing.

Retain this parts list for future reference, as the serial number stamped on the hammer case or name plate will not coincide with the parts used in the new housing assembly.

SIoux TOOLS INC.
SIoux CITY, IOWA, U.S.A. 51102



This pdf incorporates the following model numbers:

53479, 315, 316, 317, 318, 312 & 312B