



NOTE: Parts are no longer available for this tool.

The manual will continue on the next page.

SIoux



TOOLS

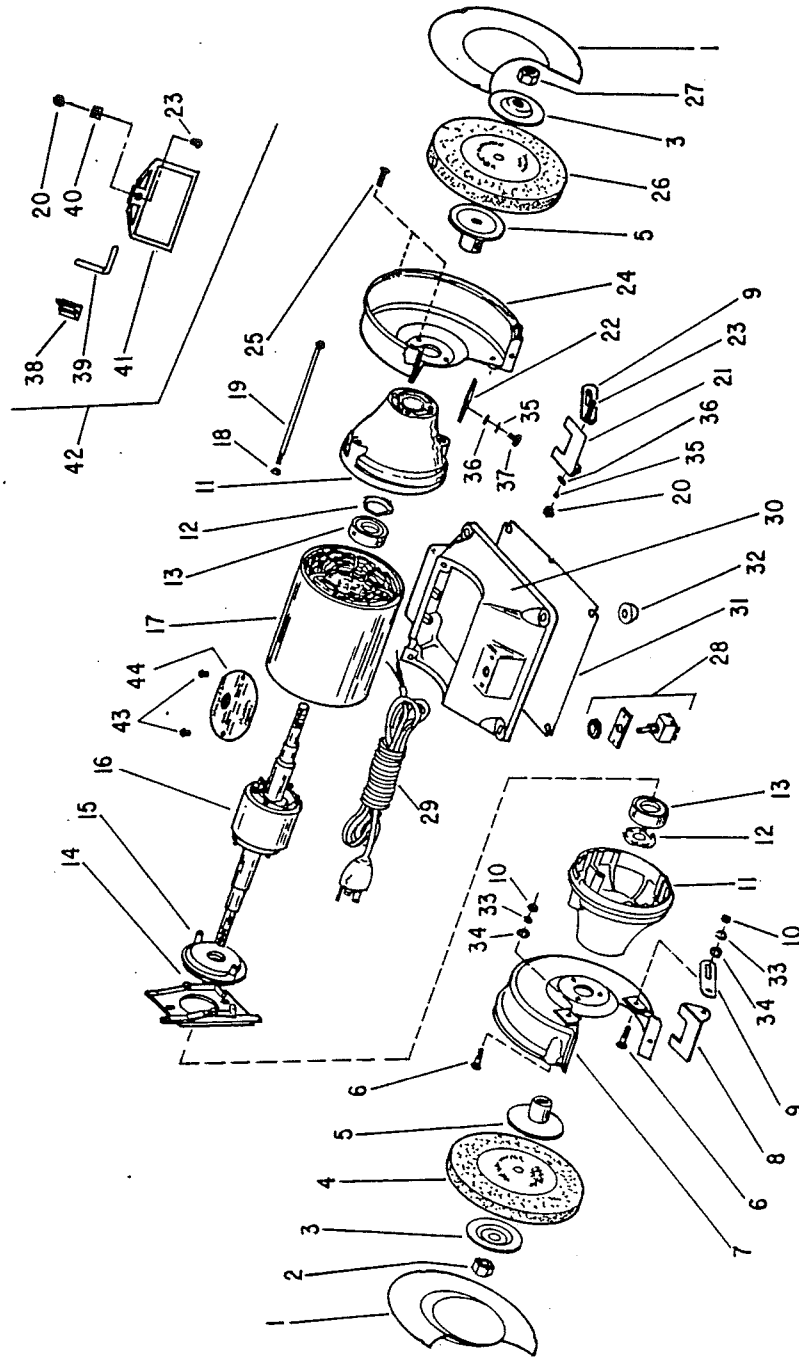
Parts List for No. 2013 6" BENCH GRINDER

Furnish Catalog, Serial and Model Number When Ordering Parts

Fig- ure	Part No.	Name	Fig- ure	Part No.	Name
1	25828	Guard—Wheel (2)	26	1869A	Wheel—Grinding
2	09624	Nut—L.H. Hex	27	09625	Nut—R.H. Hex
3	25793	Flange—Outer (2)	28	18161	Switch
4	1869B	Wheel—Grinding	29	18591	Cord—Electric
5	30713	Flange—Inner (2)	30	12615	Base
6	08713	Bolt—Carriage (4)	31	35338	Cover—Base
7	12603	Guard—L.H. Wheel	32	04243	Bumper—Rubber (4)
8	25796	Rest—L.H. Tool	33	09770	Washer—Lock (4)
9	35256	Support—Tool Rest (2)	34	25057	Washer (4)
10	09549	Nut—Hex (4)	35	09751	Washer—Lock (6)
11	12614	End Shield (2)	36	25069	Washer (6)
12	41234	Spring—Thrust (2)	37	08245	Screw (2)
13	10141	Bearing—Ball (2)	38	12613	Clamp
14	18796	Switch—Stationary	39	34243	Support—Rod
15	18797	Switch—Rotating	40	14121	Clamp—Plastic
16	16122	Armature	41	14120	Shield—Eye (Plastic)
17	17122	Field	42	2011	Ass'y.—Eye Shield
18	09462	Nut—Hex (2)	43	06080	Screw (2)
19	09193	Bolt (2)	44	20412	Plate—Name
20	09495	Nut—Hex (2)			
21	25794	Rest—R.H. Tool			
22	35255	Guard—Spark (2)			Complete Assy's.
23	09392	Bolt—Carriage (2)	53540		Ass'y.—Right Hand Tool Rest
24	12606	Guard—R.H. Wheel	53541		Ass'y.—Left Hand Tool Rest
25	07206	Screw (12)			
	09723	Washer—Lock			

SIoux TOOLS INC.
SIoux CITY, IOWA, U.S.A. 51102

Parts List for No. 2013 6" BENCH GRINDER



Furnish Catalog, Serial and Model Number When Ordering Parts

This pdf incorporates the following model numbers:

2013