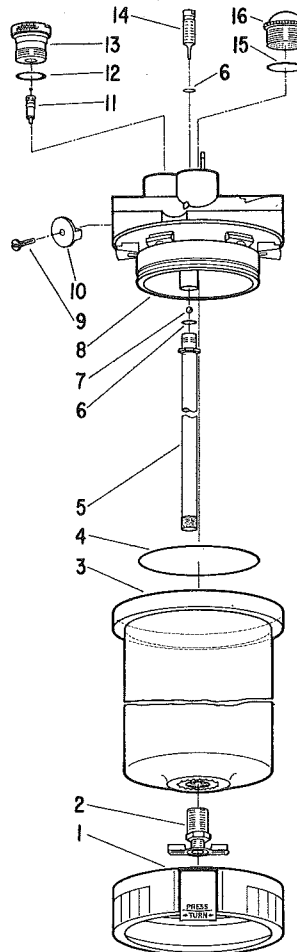




NOTE: Parts are no longer available for this tool.

The manual will continue on the next page.

Parts List for No. 1645 1/4", 1648 1/2" and 1652 3/4" Lubricators



Furnish Catalog Number When Ordering Parts

Figure No.	Part No.	Name	Figure No.	Part No.	Name
1	00181	Ring—Clamp (1645, 1648)	9	00187	Screw—Flow Guide
	00203	Ring—Clamp (1652)	10	00188	Flow Guide (1/4")
2	00039	Drain—Cock		00189	Flow Guide (1/2")
3	00182	Bowl—Plastic (1645, 1648)		00208	Flow Guide (3/4")
	00204	Bowl—Plastic (1652)	11	00190	Valve—Check
4	00183	Ring—"O" (1645, 1648)	12	14309	Ring—"O"
	00205	Ring—"O" (1652)	13	00192	Plug—Fill (1645, 1648)
5	00184	Assy.—Siphon Tube & Adaptor (1645, 1648)		00209	Plug—Fill (1652)
	00206	Assy.—Siphon Tube & Adaptor (1652)	14	00193	Screw—Adj.
6	14369	Ring—"O"	15	14378	Ring—"O" (1645, 1648)
7	00033	Ball		14366	Ring—"O" (1652)
8	00185	Assy.—Body (1/4")	16	00195	Dome—Sight (1645, 1648)
	00186	Assy.—Body (1/2")		00210	Dome—Sight (1652)
	00207	Assy.—Body (3/4")			

SIoux TOOLS INC.
SIoux CITY, IOWA, U.S.A. 51102

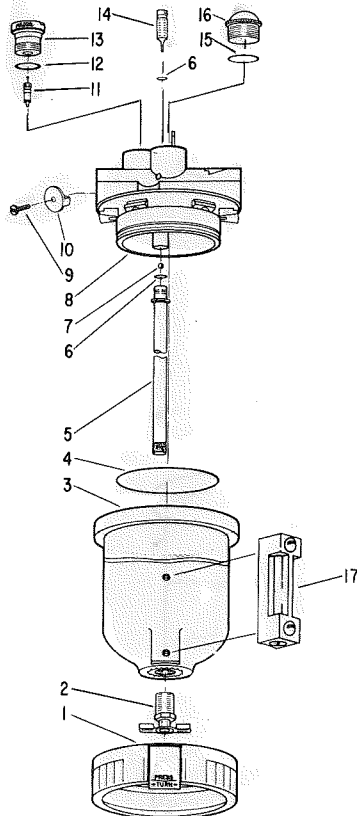


**SIoux
TOOLS INC.**

2901 FLOYD BOULEVARD ■ SIOUX CITY, IOWA 51102 ■

Form A308B
Dated 5/79

Parts List for No. 1645M 1/4", 1648M 1/2" and 1652M 3/4" Lubricators



Furnish Catalog Number When Ordering Parts

Fig- ure	Part No.	Name	Fig- ure	Part No.	Name
†1	00181	Ring—Clamp (1645M, 1648M)	9		Screw—Flow Guide (not available individually)
	00203	Ring—Clamp (1652M)	10	00188	Flow Guide (1/4") (incl's. fig. 9)
2	00039	Drain—Cock		00189	Flow Guide (1/2") (incl's. fig. 9)
3	00221	Bowl—Metal (with Gauge) (1645M, 1648M) (Incl's. Fig. 2)		00208	Flow Guide (3/4") (incl's. fig. 9)
	00222	Bowl—Metal (with Gauge) (1652M) (Incl's. Fig. 2)	†11	00190	Valve—Check
	00183	Ring—"O" (1645M, 1648M)	12	14309	Ring—"O"
	00205	Ring—"O" (1652M)	13	00192	Plug—Fill (incl's. fig. 12)
4	00184	Assy.—Siphon Tube & Filter (1645M, 1648M)	†14	00193	Screw—Adj.
	00206	Assy.—Siphon Tube & Filter (1652M)	15	14378	Ring—"O" (1645M, 1648M)
5	14369	Ring—"O"		14366	Ring—"O" (1652M)
	00033	Ball	16	00195	Dome—Sight (1645M, 1648M)
†8	00185	Assy.—Body (1/4")		00210	Dome—Sight (1652M)
	00186	Assy.—Body (1/2")	17	00223	Kit—Gauge Repair (Incl's. Glass Gauge Tube, "O" Rings & Gas- kets To Service Oil Level Gauge) (1645M, 1648M)
	00207	Assy.—Body (3/4")	17	00224	Tube—Pyrex (To Service Oil Level Gauge) (1652M)

† Not Normally Replaced

PRINTED IN U.S.A.

This pdf incorporates the following model numbers:

1645, 1648, 1652, 1645M, 1648M, 1652M